

5205980-5 ✓ ACTIVE

AMPLIMITE | AMPLIMITE Kit

TE Internal #: 5205980-5

AMPLIMITE Kit, D-Sub Locking & Mounting, Screw Retainer Kit,  
Screw Length .22 in [5.59 mm]

[View on TE.com >](#)



Connectors > D-Shaped Connectors > D-Sub Accessories > Locking & Mounting



D-Shaped Connector Accessories: **Screw Retainer Kit**

Screw Length: 5.59 mm [.22 in ]

## Features

### Product Type Features

Product Type	Accessory
D-Shaped Connector Accessories	Screw Retainer Kit

### Mechanical Attachment

Screw Plating Material	Zinc
Screw Material	Carbon Steel
Screw Finish	Clear Chromate
Screw & Hole Thread Size	4-40
Screw Length	5.59 mm [.22 in]

### Operation/Application

For Use With	Metal Shell Connectors (HDE and HDP)
--------------	--------------------------------------

### Packaging Features

Packaging Quantity	3000
Packaging Method	Bag

## Product Compliance

[For compliance documentation, visit the product page on TE.com>](#)



EU RoHS Directive 2011/65/EU	Compliant with Exemptions
EU ELV Directive 2000/53/EC	Compliant with Exemptions
China RoHS 2 Directive MIIT Order No 32, 2016	Restricted Materials Above Threshold
EU REACH Regulation (EC) No. 1907/2006	<p>Current ECHA Candidate List: JAN 2021 (211)</p> <p>Candidate List Declared Against: JAN 2021 (211)</p> <p>SVHC &gt; Threshold:</p> <p>Pb (.35% in Component Part)</p> <p><b>Article Safe Usage Statements:</b> Do not eat, drink or smoke when using this product. Wash thoroughly after handling. Recycle if possible and dispose of the article by following all applicable governmental regulations relevant to your geographic location.</p>
Halogen Content	Low Halogen - Br, Cl, F, I < 900 ppm per homogenous material. Also BFR/CFR/PVC Free
Solder Process Capability	Not applicable for solder process capability

Product Compliance Disclaimer

This information is provided based on reasonable inquiry of our suppliers and represents our current actual knowledge based on the information they provided. This information is subject to change. The part numbers that TE has identified as EU RoHS compliant have a maximum concentration of 0.1% by weight in homogenous materials for lead, hexavalent chromium, mercury, PBB, PBDE, DBP, BBP, DEHP, DIBP, and 0.01% for cadmium, or qualify for an exemption to these limits as defined in the Annexes of Directive 2011/65/EU (RoHS2). Finished electrical and electronic equipment products will be CE marked as required by Directive 2011/65/EU. Components may not be CE marked. Additionally, the part numbers that TE has identified as EU ELV compliant have a maximum concentration of 0.1% by weight in homogenous materials for lead, hexavalent chromium, and mercury, and 0.01% for cadmium, or qualify for an exemption to these limits as defined in the Annexes of Directive 2000/53/EC (ELV). Regarding the REACH Regulation, the information TE provides on SVHC in articles for this part number is based on the latest European Chemicals Agency (ECHA) 'Guidance on requirements for substances in articles' posted at this URL: <https://echa.europa.eu/guidance-documents/guidance-on-reach>

### Compatible Parts

 <p>TE Part # 747784-8 JACKSCREW KIT,4-40, BULK</p>	 <p>TE Part # 5205980-3 SCREW RETAINER KIT,BULK PKG</p>	 <p>TE Part # 5746881-1 MALE SCREW RETAINER KIT</p>	 <p>TE Part # 5205980-4 SCREW RETAINER KIT</p>
--	--	--	---

### Also in the Series | **AMPLIMITE Kit**



D-Sub Backshells &amp; Clamps(136)



D-Sub Contact Accessories(1)



D-Sub Covers(3)



D-Sub Locking &amp; Mounting(122)

## Customers Also Bought



TE Part #1658648-1  
D-Sub Crimp: Plug, Signal, 25 Posn,  
Pin Size 20, Shell Size 3



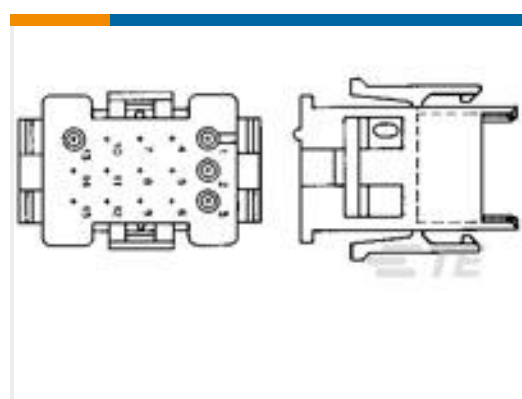
TE Part #1658649-1  
D-Sub Crimp Recept Signal 25 Posn,  
Socket Size 20, Shell Size 3



TE Part #1658670-3  
D-Sub Connector Contacts: Pin, Brass,  
Signal, Size 22



TE Part #1617037-7  
HFW5A1201G00 = HFW 5AMP RELAY



TE Part #1-640512-0  
12P MR II CAP HSG V0 RED



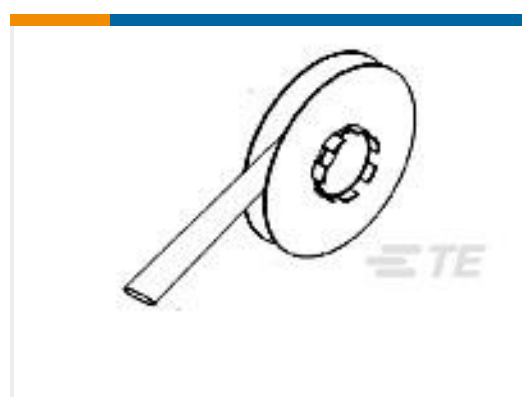
TE Part #103957-3  
5X4 MTE RCPT SR LATCH .100CL



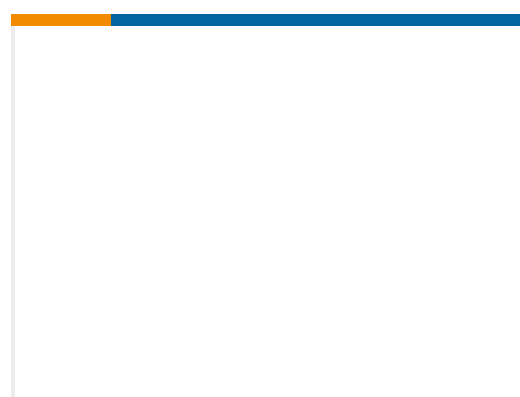
TE Part #1879495-2  
CRGH0603 5% 15K 0.2W



TE Part #1-690691-3  
REAR SHEAR PLATE



TE Part #CP3368-000  
TTMS-MP-4.8-9



TE Part #1060-20-0222-PS  
PIN SZ20 PS 16-22AWG .051-.085 INS  
NKL

## Documents

### Product Drawings

SCREW RETAINER KIT,BULK PACK

English

### CAD Files

3D PDF

3D

Customer View Model

ENG\_CVM\_CVM\_5205980-5\_O.2d\_dxf.zip



English

**Customer View Model**

[ENG\\_CVM\\_CVM\\_5205980-5\\_O.3d\\_igs.zip](#)

English

**Customer View Model**

[ENG\\_CVM\\_CVM\\_5205980-5\\_O.3d\\_stp.zip](#)

English

By downloading the CAD file I accept and agree to the [Terms and Conditions](#) of use.

---

### Datasheets & Catalog Pages

[AMPLIMITE Subminiature D Connectors - Cable Connectors](#)

English

[AMPLIMITE Cable Connectors and Shielding Hardware Kits QRG](#)

English

---

### Product Environmental Compliance

[Product Compliance](#)

English

[Product Compliance](#)

English

---

### Instruction Sheets

[Instruction Sheet \(U.S.\)](#)

English