

PERFECT cable gland

50.6xx PA/Rzzzz

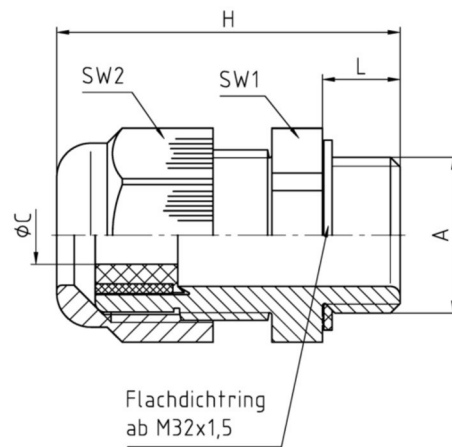
Configuration

Dome nut	Polyamide PA6 V-2
Sealing ring / outer part	Polychloroprene-Nitrile rubber CR/NBR
Sealing ring / inner part	Evoprene TPE
Gland body	Polyamide PA6 V-2
Connecting thread	metric, as per EN 60423



Properties


	<ul style="list-style-type: none"> reducing sealing ring for integrated anchorage wide sealing and clamping range easy-to-install
Temperature range	-20°C +100°C
Protection grade	IP68 5bar
Test standard	EN 50262 UL 514B
VDE licence	40020902
UL / CSA-File	E140310
ESTI licence	09.0418
Comment	details about tests - see annex




Features

 RAL 9005

Connecting thread standard length


A	ØC	L	SW1	SW2	H		Part No.
	mm	mm	mm	mm	mm	Piece	
M12x1,5	2 - 5	8	15	15	31	100	50.612 PA/RSW
M16x1,5	3 - 10	8	20	20	35,5	100	50.616 PA/RSW
M20x1,5	5 - 13	8	24	24	36	100	50.620 PA/RSW
M25x1,5	8 - 17	8	29	29	43	50	50.625 PA/RSW
M32x1,5	12 - 21	10	36	36	50	25	50.632 PA/RSW
M40x1,5	16 - 28	10	46	46	51	10	50.640 PA/RSW
M50x1,5	21 - 35	12	55	55	61,5	5	50.650 PA/RSW
M63x1,5	27 - 48	12	68	68	65,5	5	50.663 PA/RSW

A	ØC	L	SW1	SW2	H		Part No.
	mm	mm	mm	mm	mm	Piece	



RAL 7035


Connecting thread standard length

A	ØC	L	SW1	SW2	H		Part No.
	mm	mm	mm	mm	mm	Piece	
M12x1,5	2 - 5	8	15	15	31	100	50.612 PA/R7035
M16x1,5	3 - 10	8	20	20	35,5	100	50.616 PA/R7035
M20x1,5	5 - 13	8	24	24	36	100	50.620 PA/R7035
M25x1,5	8 - 17	8	29	29	43	50	50.625 PA/R7035
M32x1,5	12 - 21	10	36	36	50	25	50.632 PA/R7035
M40x1,5	16 - 28	10	46	46	51	10	50.640 PA/R7035
M50x1,5	21 - 35	12	55	55	61,5	5	50.650 PA/R7035
M63x1,5	27 - 48	12	68	68	65,5	5	50.663 PA/R7035



RAL 7001

Connecting thread standard length

A	ØC	L	SW1	SW2	H		Part No.
	mm	mm	mm	mm	mm	Piece	
M12x1,5	2 - 5	8	15	15	31	100	50.612 PA/R
M16x1,5	3 - 10	8	20	20	35,5	100	50.616 PA/R
M20x1,5	5 - 13	8	24	24	36	100	50.620 PA/R
M25x1,5	8 - 17	8	29	29	43	50	50.625 PA/R
M32x1,5	12 - 21	10	36	36	50	25	50.632 PA/R
M40x1,5	16 - 28	10	46	46	51	10	50.640 PA/R
M50x1,5	21 - 35	12	55	55	61,5	5	50.650 PA/R
M63x1,5	27 - 48	12	68	68	65,5	5	50.663 PA/R

* sealing ring one-piece