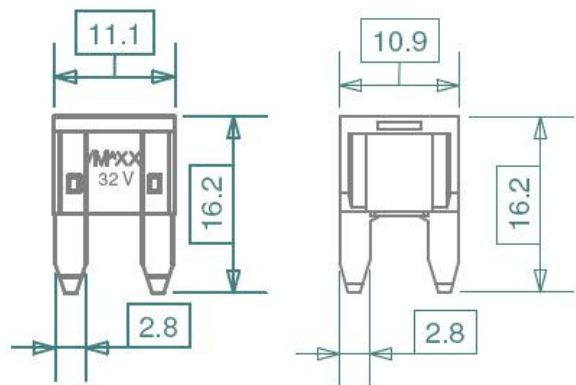


F7000 series, miniOTO blade fuse

- Meets international specs, complies to DIN ISO 8820-3, JASO D612, SAE J2077 and other standards
- Check fuse in fuse block using test points at top of the fuse
- Element visibility from sides, transparent fuse bodies
- Blade rigidity through robust/sturdy body construction
- Safe and highly reliable/consistent operation with a single piece construction
- Self extinguishing transparent, color coded body materials
- High temperature resistive plastics used for fuse body materials
- Secure and reliable functioning with purpose designed S + Ω element shapes
- Rating marked on top using OCR font



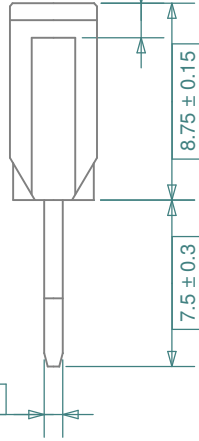
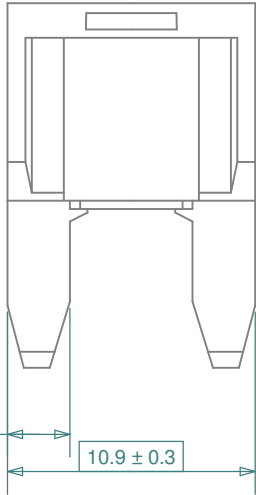
iMaXX ref.	Color	Rating [A]	Voltage [V]
F7001P	Black	1	32
F7002P	Gray	2	32
F7003	Violet	3	32
F7004	Pink	4	32
F7005	Tan	5	32
F7075	Brown	7,5	32
F7010	Red	10	32
F7015	Blue	15	32
F7020	Yellow	20	32
F7025	Natural	25	32
F7030	Green	30	32





10.92 ± 0.15

3.81 ± 0.15



0.79 - 0.86

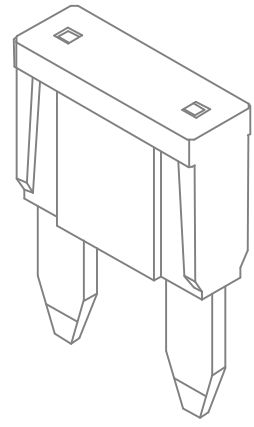
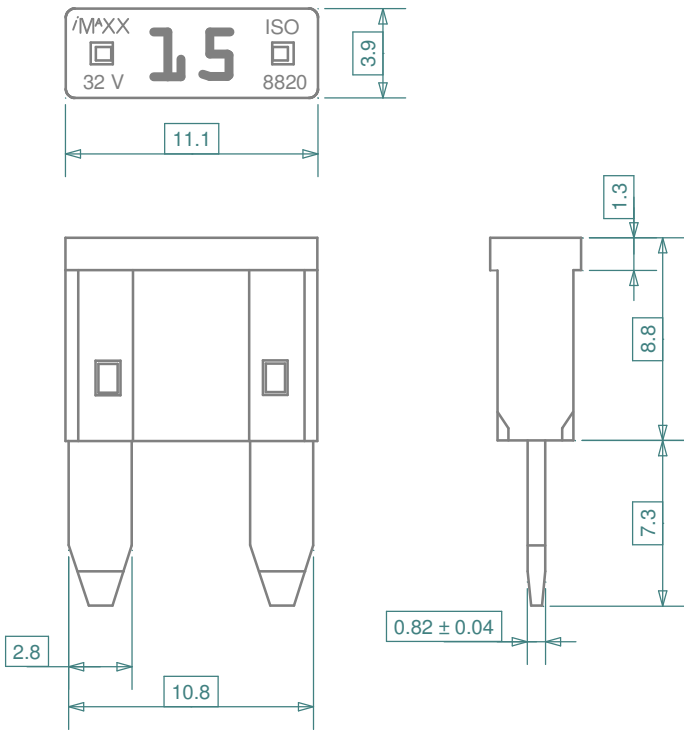
Rating [A]	Color	Volt [V]	iMaXX Reference
1	Black	32	F7001P
2	Grey	32	F7002P

Fusing time DIN ISO 8820-3 [s]		
Load [%]	Minimum [s]	Maximum [s]
110 %	360,000	-
135 %	0.75	600
160 %	0.25	50
200 %	0.15	5
350 %	0.04	0.5
600 %	0.02	0.1

Revisions			Date	Appr.
	Date	Type	Drawn	05/09
a	08/11	updated DIN to ISO	Checked	05/14
b	10/12	updated dimensions	Standards	
c	05/14	added F7001P	Approved	05/14



		Scale 3 : 1		Title	F7000P/1-2 series, miniOTO blade fuse
		Projection	Tolerance see dimensions table	Drawing type	schematic
				Drawing number	F7000P/1-2 drawing 1
				Sheet	1 of 1
				Layers / Sheet	0 1 2 6 9 Sheet 01



3D not to scale

Rating [A]	Color	Volt [V]	iMaXX Reference
3	Violet	32	F7003
4	Pink	32	F7004
5	Tan	32	F7005
7.5	Brown	32	F7075
10	Red	32	F7010
15	Blue	32	F7015
20	Yellow	32	F7020
25	Natural	32	F7025
30	Green	32	F7030

Fusing time DIN ISO 8820-3 [s]		
Load [%]	Minimum [s]	Maximum [s]
110 %	360,000	-
135 %	0.75	600
160 %	0.25	50
200 %	0.15	5
350 %	0.04	0.5
600 %	0.02	0.1

Revisions			Date	Appr.	
	Date	Type	Drawn	02/99	GRH
a	11/99	add 3 & 4A	Checked	12/15	EB
b	06/01	DIN nomenclatura	Standards		
c	05/03	OCR printing	Approved	12/15	AdH
d	06/07	re-drawn			
e	07/11	updated DIN to ISO	Scale 3 : 1		
f	03/12	updated dimensions	Projection	Tolerance	
g	10/12	updated dimensions		± 0.2 mm unless otherwise noted	
h	12/15	updated fuse markings			



Title	F7000 series, miniOTO blade fuse
Drawing type	schematic
Drawing number	F7000 drawing 1
Sheet	1 of 1
Layers	0 1 2 6 9 11