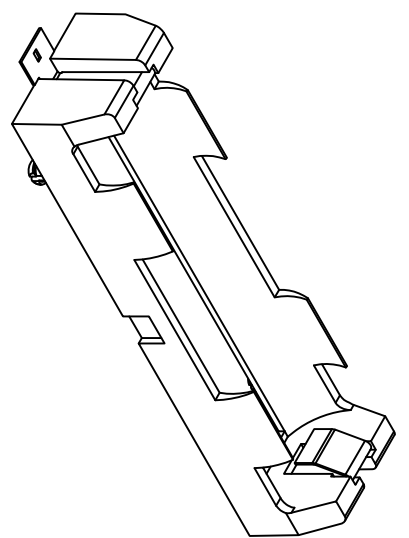
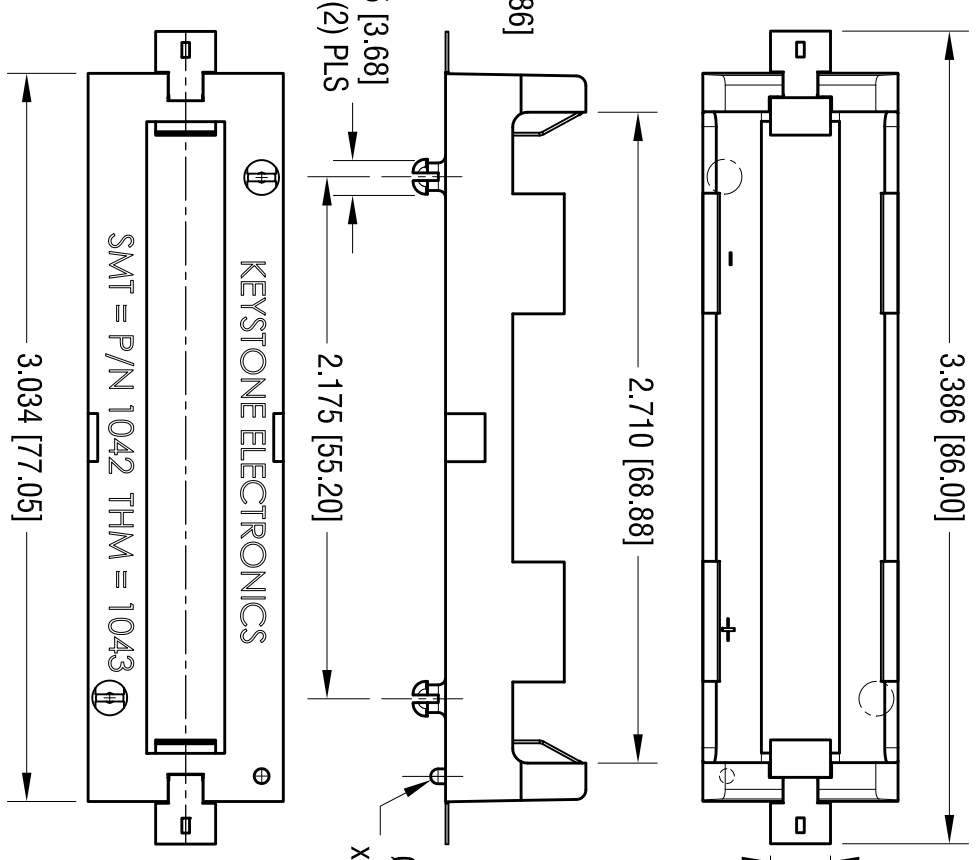


| DATE | DESCRIPTION | REV. |
|----------|--------------------------|------|
| 10.24.10 | AS PER ECN 10-062 | A |
| 10.04.10 | CHANGE AS PER ECN 10-069 | B |
| 10.26.10 | CHANGE AS PER ECN 10-075 | C |
| 4.12.11 | CHANGE AS PER ECN 11-049 | D |

NOTE:
 1. BASE:
 MAT'L: HEAT RESISTANCE NYLON
 STANYL 46 OR EQUIVALENT
 2. CONTACT:
 MAT'L: .012 [0.30] THK PHOSPHOR BRONZE
 FINISH: GOLD FLASH, OVER NICKEL PLATE



KEYSTONE ELECTRONICS CORP.
 www.keyleco.com • ASTORIA, N.Y. 11105-2017 • Tel (718) 956-8900
 PART NAME PC BATTERY HOLDER, 18650
 MATERIAL AS NOTED

| FINISH | AS NOTED | DRN BY | DATE |
|------------|-----------------|--------|---------|
| AS NOTED | AS NOTED | NT | 8.19.10 |
| TOLERANCES | INCH [MM] | CODE | DWG NO. |
| DECIMAL | ± .010 [± 0.25] | C | 1042 |
| ANGULAR | ± 1° | | |

THIS DOCUMENT IS THE PROPERTY OF
 KEYSTONE ELECTRONICS CORP. AND
 SHALL NOT BE REPRODUCED, DISTRIBUTED
 OR USED AS A BASIS FOR MANUFACTURE
 WITHOUT PRIOR WRITTEN PERMISSION
 FROM KEYSTONE ELECTRONICS CORP.