



## Encoder accessories

 [Encoder accessories \(PDF 139 KB\)](#)



ST27

### Jointed coupling ST27

for encoder with shaft  $\varnothing$  6 mm or 10 mm

[→ Print version](#)

#### Product data

Max. operating speed	10000 rpm
Max. torque	80 Ncm
Max. offset of shafts axial	$\pm 0.3$ mm
Max. offset of shafts angular	$\pm 0.5^\circ$
Torsion spring stiffness	18 Nm/rad
Moment of inertia	79 gcm <sup>2</sup>
Max. clamping torque	80 Ncm
Weight	25 g
Material	Hub: Aluminium Adapter: POM

Order number(s)

ST270606

Jointed coupling:  $\varnothing d1 = 6 \text{ mm}$ ,  $\varnothing d2 = 6 \text{ mm}$

ST270610

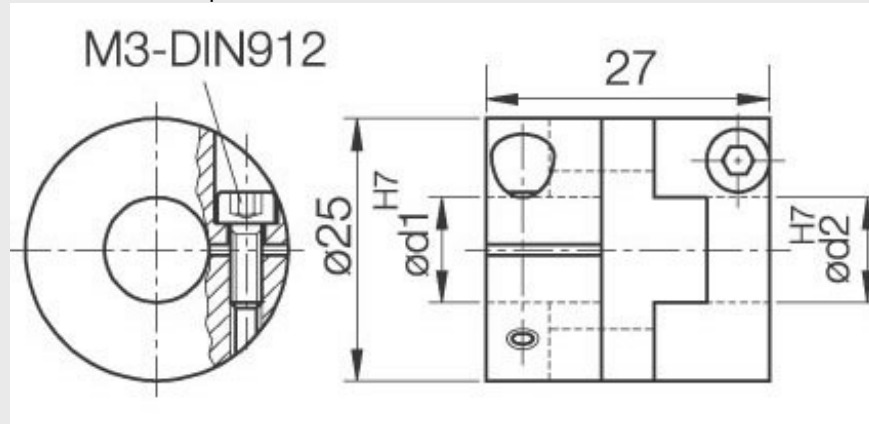
Jointed coupling:  $\varnothing d1 = 6 \text{ mm}$ ,  $\varnothing d2 = 10 \text{ mm}$

ST271010

Jointed coupling:  $\varnothing d1 = 10 \text{ mm}$ ,  $\varnothing d2 = 10 \text{ mm}$

### Drawings

All dimensional specifications in mm



For further information please contact our local distributor.  
Here you find a list of our [distributors worldwide](#)

Wachendorff Automation GmbH & Co. KG - Industriestrasse 7 - D-65366 Geisenheim  
wdg@wachendorff.de - Tel. +49 6722 996525 - Fax +49 6722 996570