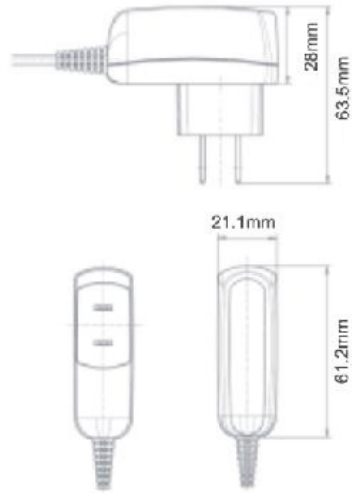


Switchmode Power Supply 3 Watt 2061-FW7600



Technical Data	
Input Voltage	90 VAC - 264 VAV
Input Current	85 mA
Frequency	47- 63 Hz
Efficiency	75% typ. at full load
EMC norm	Conforms to FCC, CISPR 22, EN 55022, class B IEC 61000-4-3; IEC 61000-4-6
Output Voltage Tolerance	5%
Output Voltage 2061-FW7600/05	5VDC
Output Voltage 2061-FW7600/12	12VDC
Environmental Specification	
Operating Temp.	0°C to 40°C at maximum load
Storage Temp.	-40°C to 85°C
Humidity	5% to 95% non condensing
Input Transient Susceptibility	Complies with IEC 61000 requirements
Safety Specification	
Standards	Fulfills Class II SELV for the following applications: EN 60950/IEC 60950, VDE, CE mark
Reliability Specification	
MTBF calculation	200,000 hours at maximum load levels and an ambient temperature of 25°C (in accordance to MIL-HDBK-217)
Mechanical Specification	
Weight	60 g
Plug Connector	Input: Mains plugs are available for the following regions: USA, Euro Output: Universal output plug system