



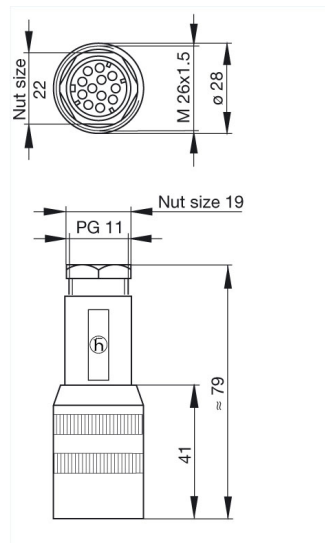
## N11R EF

Industrial Connectors:Circular connectors NR-series:Straight cable socket

### Product description

Description	Straight cable socket with strain relief
Type	N11R EF
Order No.	932 630-106
Type of contact	female
Number of contacts	11 + PE
Cable gland	PG 11
Cable diameter	8 mm to 10 mm
Conductor size	max. 0.5 mm <sup>2</sup>
Standard	DIN 43 651
Housing Color	grey

### Drawing



### Technical data

Pin dimensions	1.6 mm
Rated voltage	60 V AC/DC
Rated current	5 A
Contact resistance	≤ 5 mOhm
Type of termination	crimp
Suitable cables	0.14 mm <sup>2</sup> to 0.5 mm <sup>2</sup>

### Material

Contact surface material	Ag
Contact bearer material	PET
Housing material	PET

### Environmental conditions

Protection class (IEC 60529)	IP 65
Temperature range	-40 °C to +90 °C

### Packing unit

Packaging unit 10 pieces

**Scope of delivery and accessories**

Scope of delivery 1 cable sockets, not assembled, in polythene bag, with assembly instructions  
Accessories to order separately can be plugged into N11R AM,  
N11R AM 5,  
contacts: RBC 162/1