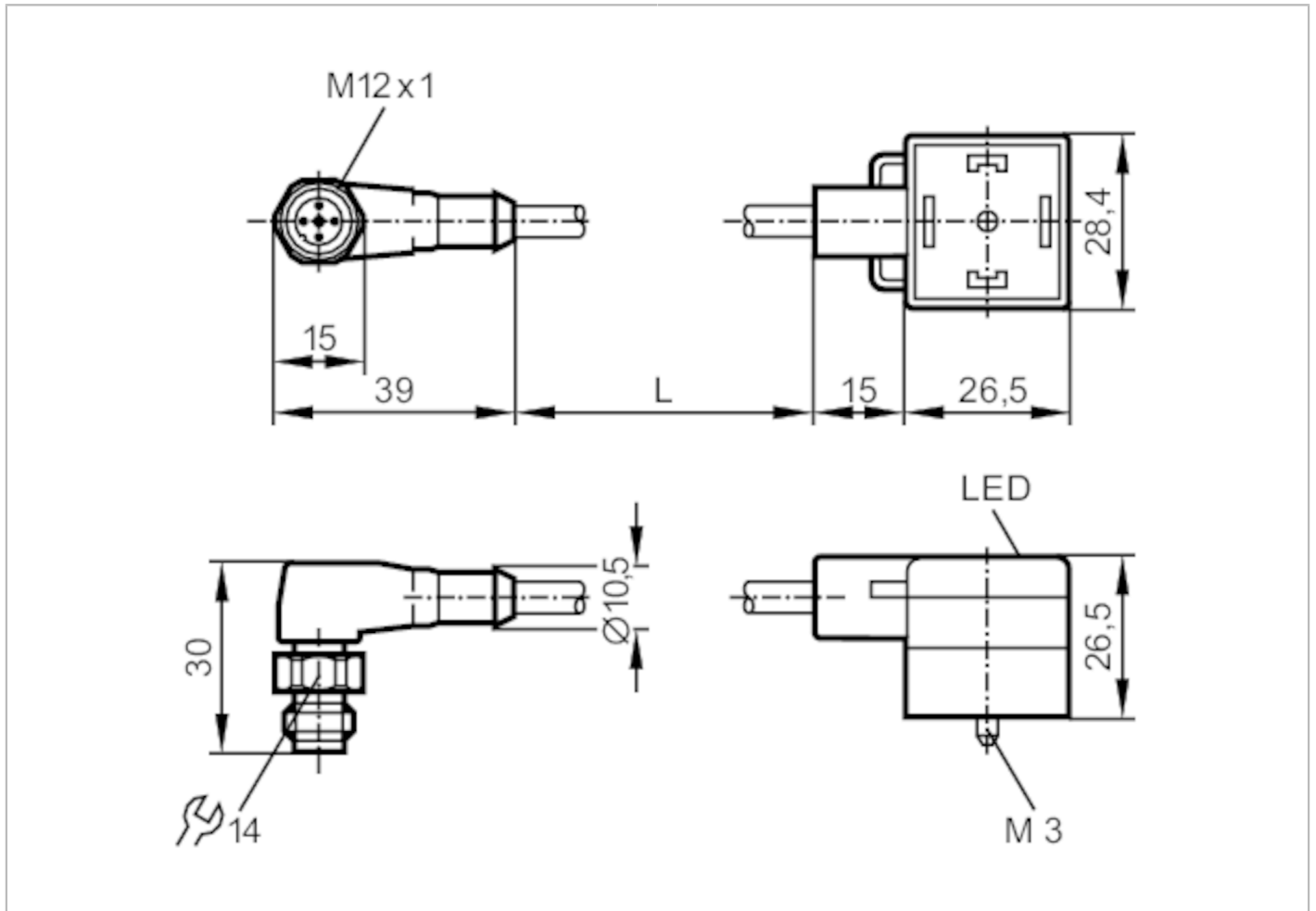


E10818



Jumper cable with valve plug

VVSAB041MSS00,6A03STAH030VAS



Application	
Special feature	Halogen-free
Electrical data	
Operating voltage [V]	< 24 AC/DC
Overtoltage protection	yes; (VDR)
Operating conditions	
Ambient temperature [°C]	-25...90
Protection	IP 67
Mechanical data	
Weight [g]	76
Dimensions [mm]	30 x 15 x 39
Materials	TPU
Material nut	stainless steel (1.4404 / 316L) / stainless steel (1.4404 / 316L)
Displays / operating elements	
Display	operation
	1 x LED, yellow
Accessories	
Accessories (supplied)	screw
	panel for labelling

E10818



Jumper cable with valve plug

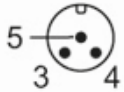
VVSAB041MSS00,6A03STAH030VAS

Remarks

Pack quantity _____ 1 pcs.

Electrical connection - plug

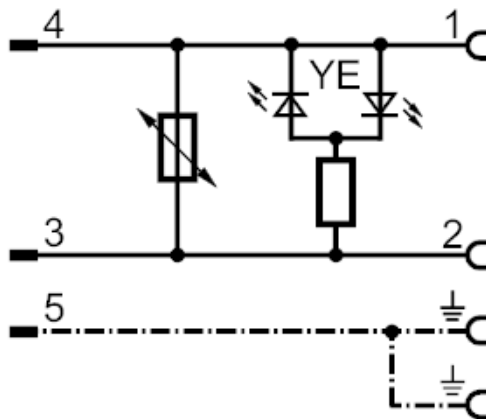
Connector: 1 x M12, angled; Moulded body: TPU; Locking: stainless steel (1.4404 / 316L)



Electrical connection

Cable: 0.6 m, PUR, Halogen-free, black, Ø 4.8 mm; 3 x 0.5 mm² (16 x Ø 0.2 mm)

Connection



Electrical connection - socket

Connector: 1 x valve type A DIN, angled; Moulded body: TPU; Locking: stainless steel (1.4404 / 316L)

