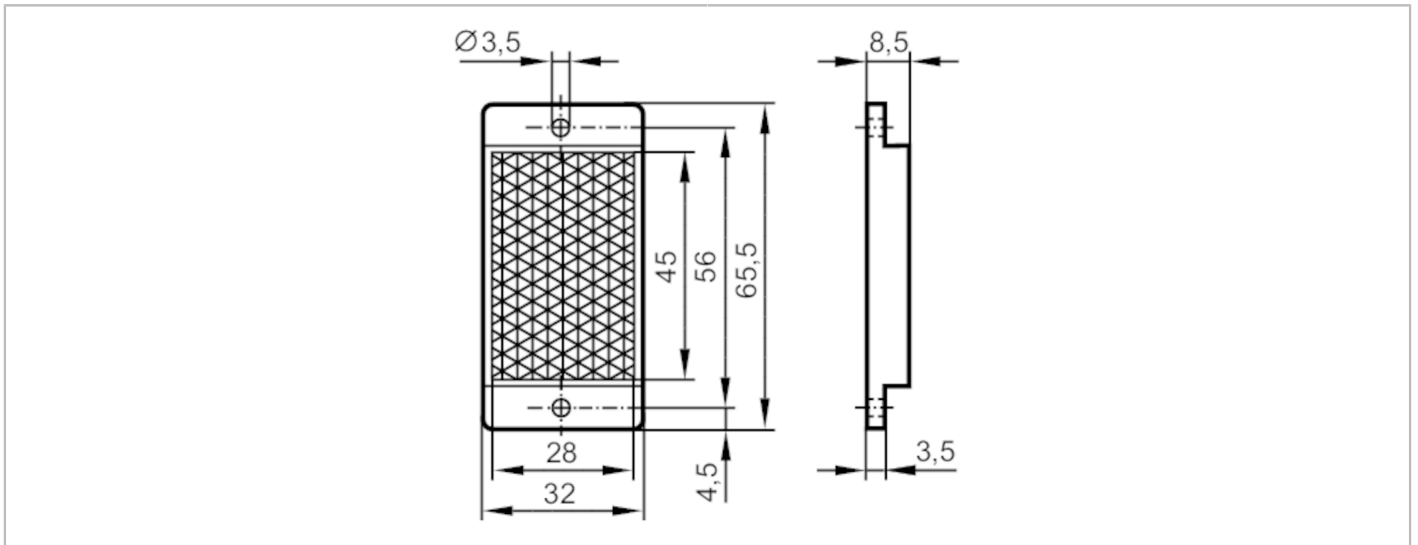


# E20452



## Reflector for retro-reflective sensors

REFLECTOR TS-45x28



### Application

Design rectangular, for red light and infrared light retro-reflective sensors

### Operating conditions

Ambient temperature [°C] -10...60

### Mechanical data

Weight [g] 11.5

Dimensions [mm] 32 x 65.5 x 8.5

Materials plastics

### Remarks

Pack quantity 1 pcs.