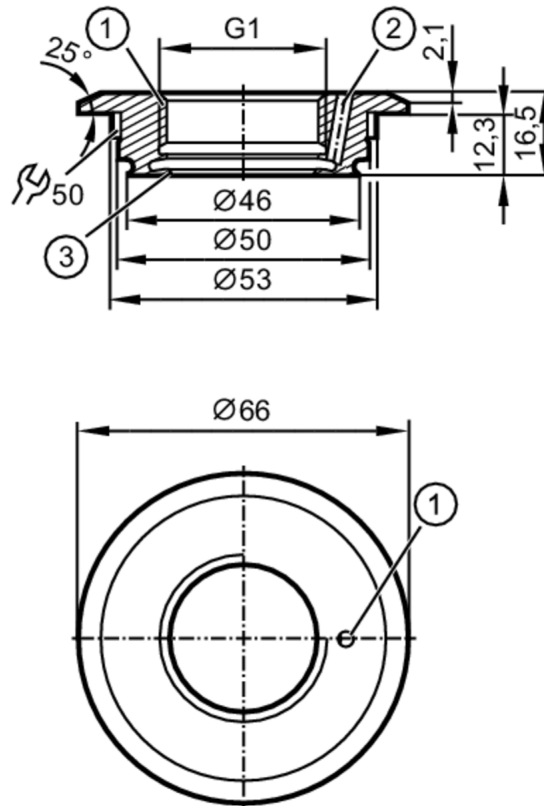


# E33228



## Process adapter Varivent

ADAPT IFM-VARIV TYP F (D=50)3A



- 1 Aseptoflex Vario
- 2 Leakage port
- 3 sealing area



EC 1935/2004 EHEDG Certified



Application	
Design	with leakage port
Pressure rating [bar]	25
Tests / approvals	
Pressure Equipment Directive	A possible classification to PED depends on the application and has to be carried out by the user / operator.
Safety instructions	The compatibility between medium and product material has to be checked in all applications.
Mechanical data	
Weight [g]	225
Materials	stainless steel (1.4435 / 316L)
Sensor connection	G 1 external thread Aseptoflex Vario
Process connection	Varivent Form F, DN25 (1"), D = 50
Surface characteristics Ra/Rz of the wetted parts	0.4 / 4
Sealing	Gasket
Hygienic equipment class to DIN 11866	H4

# E33228



## Process adapter Varivent

ADAPT IFM-VARIV TYP F (D=50)3A

Accessories	
Accessories (supplied)	O-rings: 1 x 24 x 2 (EPDM), FDA compliant
Accessories (optional)	O-ring: 1 x 24 x 2 (FKM), FDA compliant, E30123
	sealing ring: 1 x PEEK, FDA compliant, E30124
Remarks	
Pack quantity	1 pcs.