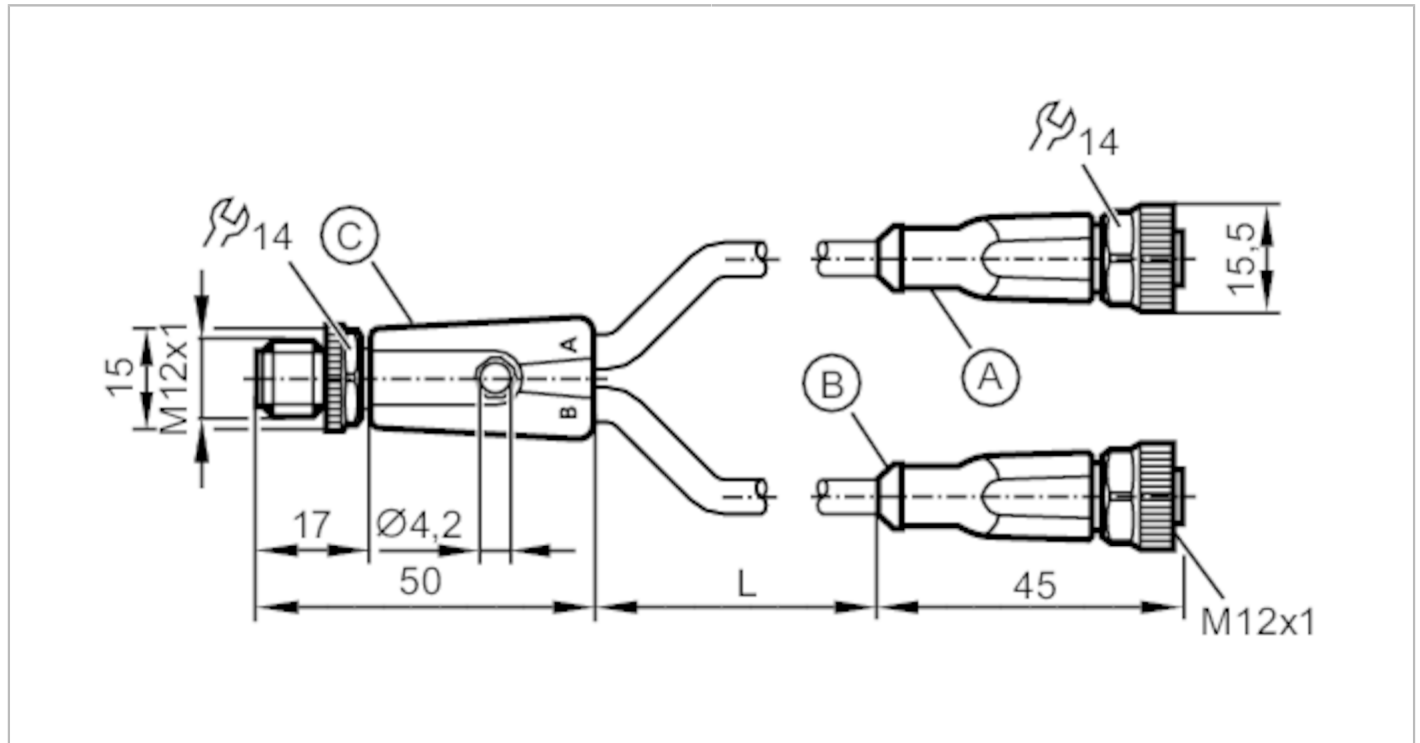


EVW110



Y connection cable

YDOGH030SCS00,3T03STGH040SCS



Application	
Special feature	Free from silicone; Halogen-free; Gold-plated contacts; Drag chain suitability
Application	welding applications
Free from silicone	yes
Electrical data	
Operating voltage [V]	< 60 AC/DC
Protection class	II
Max. current load total [A]	4
Operating conditions	
Ambient temperature [°C]	-25...90
Ambient temperature (moving) [°C]	-25...90
Protection	IP 65; IP 67; IP 68; IP 69K

EVW110



Y connection cable

YDOGH030SCS00,3T03STGH040SCS

Mechanical data		
Weight [g]	55.7	
Materials	Connecting cable with plug: TPU orange; Connecting cable with socket: TPU orange; Sealing: FKM	
Material nut	brass, anti-spatter / brass, anti-spatter	
Number of ports splitter box	2	
Drag chain suitability	yes	
Drag chain suitability	bending radius for flexible use	min. 10 x cable diameter
	travel speed	max. 3.3 m/s for a horizontal travel length of 5 m and max. acceleration of 5 m/s ²
	bending cycles	> 2 Mio.
	torsional strain	± 180 °/m

Remarks	
Remarks	without label holders
Pack quantity	1 pcs.

Electrical connection	
Cable: 0.3 m, PUR, Halogen-free, grey, Ø 4.9 mm; not irradiated (can be recycled); resistant to welding sparks; 3 x 0.34 mm ² (42 x Ø 0.1 mm)	

Electrical connection - plug	
------------------------------	--

Connector: 2 x M12; Locking: brass, anti-spatter; Contacts: gold-plated; Tightening torque: 0.6...1.5 Nm



EVW110

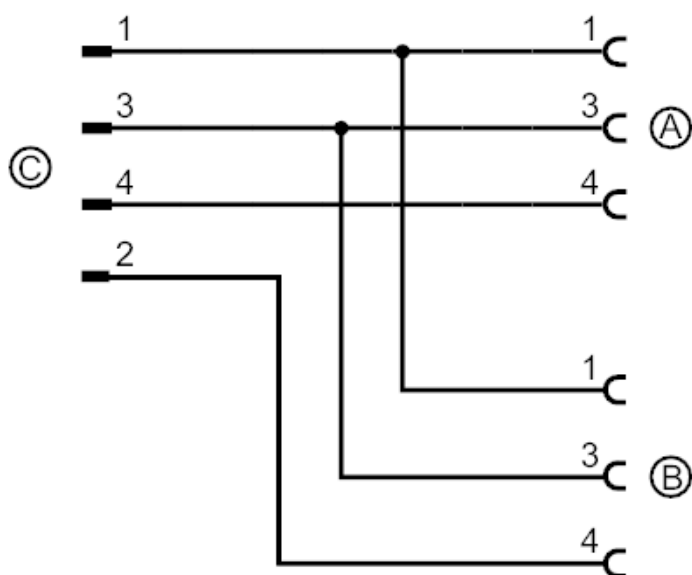


Y connection cable

YDOGH030SCS00,3T03STGH040SCS

Electrical connection

Connection



Electrical connection - socket

Connector: 2 x M12; Locking: brass, anti-spatter; Contacts: gold-plated; Tightening torque: 0.6...1.5 Nm

