



### Model Number

**OMH-SLCT-120-1200**

Side protection for mounting base

### Features

- Side protection for the OMH-SLCT-100 and OMH-SLCT-110 mounting bases

### Accessories

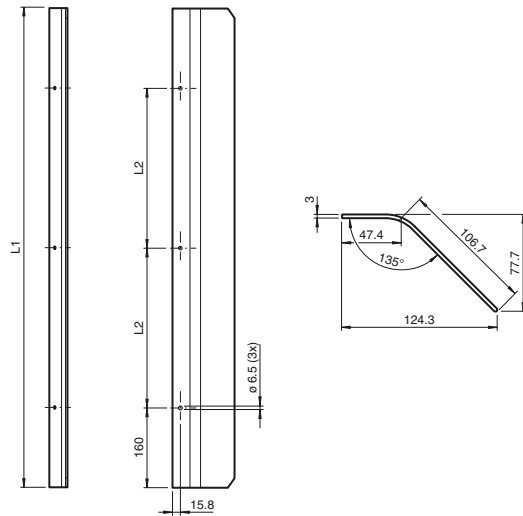
**OMH-SLCT-100-1200**

Mounting base for floor mounting and cover plate

**OMH-SLCT-110-1200**

Mounting base for floor mounting with rear panel and cover plate

### Dimensions



### Technical data

#### Ambient conditions

Ambient temperature	-40 ... 80 °C (-40 ... 176 °F)
Storage temperature	-40 ... 80 °C (-40 ... 176 °F)
Relative humidity	80 % , noncondensing

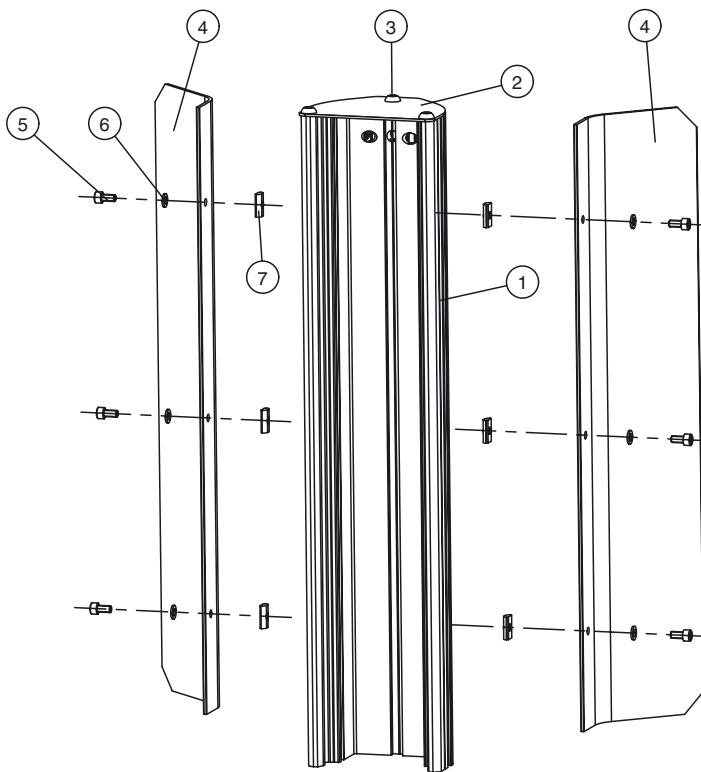
#### Mechanical specifications

Housing length L	1140 mm
Material	
Housing	anodized aluminum
Mounting screw	Steel
Mass	approx. 2.8 kg
Mounting	Mounting accessories included

#### General information

Scope of delivery	2x lateral protection, mounting materials
-------------------	---

**Mechanical arrangement**



1	Mounting base	4	Lateral protection	7	Spring T-nut M6
2	Cover plate	5	Socket cap screw M6 x 12		
3	Rounded head screw M8 x 20	6	Washer		

Release date: 2013-09-23 10:14 Date of issue: 2013-09-23 251618\_eng.xml