



### Model Number

NBN5-F7-E2

### Features

- 5 mm non-flush
- 3-wire DC

## Technical Data

### General specifications

Switching element function		PNP	NO
Rated operating distance	$s_n$	5 mm	
Installation		non-flush	
Output polarity		DC	
Assured operating distance	$s_a$	0 ... 4.05 mm	
Reduction factor $r_{Al}$		0.3	
Reduction factor $r_{Cu}$		0.2	
Reduction factor $r_{304}$		0.7	

### Nominal ratings

Operating voltage	$U_B$	10 ... 30 V DC
Switching frequency	$f$	0 ... 500 Hz
Hysteresis	$H$	typ. 5 %
Reverse polarity protection		reverse polarity protected
Short-circuit protection		pulsing
Voltage drop	$U_d$	$\leq 3$ V
Operating current	$I_L$	0 ... 100 mA
Off-state current	$I_r$	0 ... 0.5 mA typ. 0.1 $\mu$ A at 25 °C
No-load supply current	$I_0$	< 20 mA
Switching state indicator		LED, yellow

### Functional safety related parameters

MTTF <sub>d</sub>	3810 a
Mission Time ( $T_M$ )	20 a
Diagnostic Coverage (DC)	0 %

### Ambient conditions

Ambient temperature	-25 ... 70 °C (-13 ... 158 °F)
---------------------	--------------------------------

### Mechanical specifications

Connection type	cable PVC, 2 m
Core cross-section	0.14 mm <sup>2</sup>
Housing material	PBT
Sensing face	PBT
Degree of protection	IP67

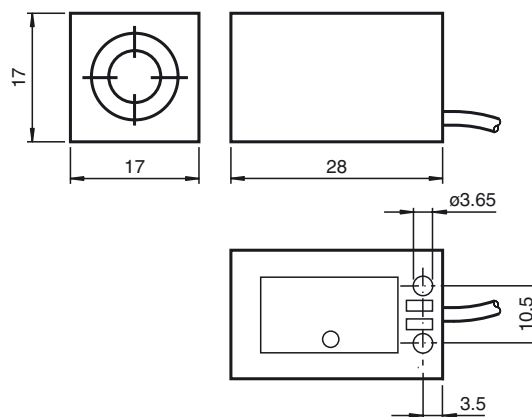
### Compliance with standards and directives

Standard conformity	
Standards	EN 60947-5-2:2007 IEC 60947-5-2:2007

### Approvals and certificates

UL approval	cULus Listed, General Purpose
CSA approval	cCSAus Listed, General Purpose
CCC approval	CCC approval / marking not required for products rated $\leq 36$ V

## Dimensions



## Electrical Connection

