



COMPONENT FOR ENCLOSURE, 22MM LAMP HOLDER WITH INTEGRATED LED 110V AC RATED VOLTAGE 110V AC SCREW TERMINAL WHITE

Figure similar

|   |    |                        |
|---|----|------------------------|
| Product designation   |    | lampholder             |
| <b>Contact block/ lampholder:</b>   |    |                        |
| Mounting type   |    | integrated             |
| Number of lampholders   |    | 1                      |
| <b>General technical data:</b>  |    |                        |
| <b>Product function</b>   |    |                        |
| <ul style="list-style-type: none"> <li>• positive opening</li> </ul>  |    | No                     |
| <b>Product component</b>  |    |                        |
| <ul style="list-style-type: none"> <li>• diode</li> <li>• lamp transformer</li> <li>• Light source</li> <li>• series resistor</li> </ul>                |    | Yes<br>No<br>Yes<br>No |
| <b>Insulation voltage</b>   |    |                        |
| <ul style="list-style-type: none"> <li>• Rated value</li> </ul>   | V  | 250                    |
| <b>Type of voltage</b>  |    |                        |
| <ul style="list-style-type: none"> <li>• of the operating voltage</li> </ul>  |    | AC                     |
| <b>Degree of pollution</b>  |    | class 3                |
| <b>Surge voltage resistance Rated value</b>   | kV | 4                      |
| <b>Protection class IP</b>  |    |                        |
| <ul style="list-style-type: none"> <li>• of the enclosure</li> <li>• of the terminal</li> </ul>   |    | IP40<br>IP20           |
| <b>Equipment marking</b>  |    |                        |
| <ul style="list-style-type: none"> <li>• acc. to DIN 40719 extended according to IEC 204-2 acc. to IEC 750</li> <li>• acc. to DIN EN 61346-2</li> </ul> |    | H<br>P                 |

|                            |   |     |
|----------------------------|---|-----|
| • acc. to DIN EN 81346-2   |   | P   |
| <b>Operating voltage 1</b> |   |     |
| • with AC                  |   |     |
| — at 50 Hz Rated value     | V | 110 |
| — at 60 Hz Rated value     | V | 110 |

|   |   |     |
|---|---|-----|
| <b>Supply voltage:</b>                              |   |     |
| <b>Type of voltage of the supply voltage</b>        |   |     |
| • of the light source                               |   | AC  |
| <b>Supply voltage 1 of the light source with AC</b> |   |     |
| • at 50 Hz Rated value                              | V | 110 |
| • at 60 Hz Rated value                              | V | 110 |

|                              |  |   |
|------------------------------|--|---|
| <b>Auxiliary circuit:</b>    |  |   |
| <b>Number of NC contacts</b> |  |   |
| • for auxiliary contacts     |  | 0 |
| <b>Number of NO contacts</b> |  |   |
| • for auxiliary contacts     |  | 0 |
| <b>Number of CO contacts</b> |  |   |
| • for auxiliary contacts     |  | 0 |





|  |     |                                    |
|--|-----|------------------------------------|
| <b>Connections/ Terminals:</b>                     |     |                                    |
| <b>Type of electrical connection</b>               |     | screw-type terminals               |
| <b>Type of connectable conductor cross-section</b> |     |                                    |
| • for auxiliary contacts                           |     |                                    |
| — solid  |     | 2x (1.0 ... 1.5 mm <sup>2</sup> )  |
| — solid with core end processing                   |     | 2x (0.5 ... 0.75 mm <sup>2</sup> ) |
| — finely stranded with core end processing         |     | 2x (0.5 ... 1.5 mm <sup>2</sup> )  |
| • for AWG conductors for auxiliary contacts        |     | 2x (18 ... 14)                     |
| <b>Tightening torque</b>                           |     |                                    |
| • for auxiliary contacts with screw-type terminals | N·m | 0.8                                |

|                                  |  |       |
|----------------------------------|--|-------|
| <b>Lamp:</b>                     |  |       |
| <b>Type of light source</b>      |  | LED   |
| <b>Color of the light source</b> |  | white |

|                            |    |             |
|----------------------------|----|-------------|
| <b>Ambient conditions:</b> |    |             |
| <b>Ambient temperature</b> |    |             |
| • during operation         | °C | -25 ... +70 |
| • during storage           | °C | -25 ... +80 |

|  |    |                |
|--|----|----------------|
| <b>Installation/ mounting/ dimensions:</b> |    |                |
| <b>Mounting type</b>                       |    | floor mounting |
| <b>Height</b>                              | mm | 49             |
| <b>Width</b>                               | mm | 10             |
| <b>Depth</b>                               | mm | 28             |

## Certificates/ approvals:

| General Product Approval   | Declaration of Conformity  | Test Certificates  | other   |  |                              |
|--|--|--|---|--|------------------------------|
| <br>CCC | <br>CSA | <br>EAC | <br>EG-Konf. | <a href="#">Special Test Certificate</a> | <a href="#">Confirmation</a> |

## other

[Environmental Confirmations](#)

## Further information

### Information- and Downloadcenter (Catalogs, Brochures,...)

<http://www.siemens.com/industrial-controls/catalogs>

### Industry Mall (Online ordering system)

<http://www.siemens.com/industrymall>

### Cax online generator

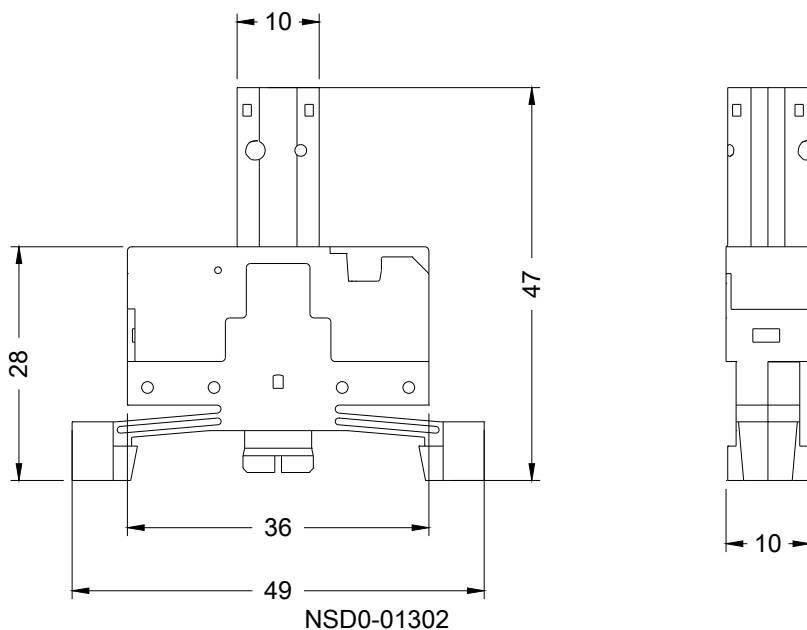
<http://support.automation.siemens.com/WW/CAXorder/default.aspx?lang=en&mlfb=3SB34201QE>

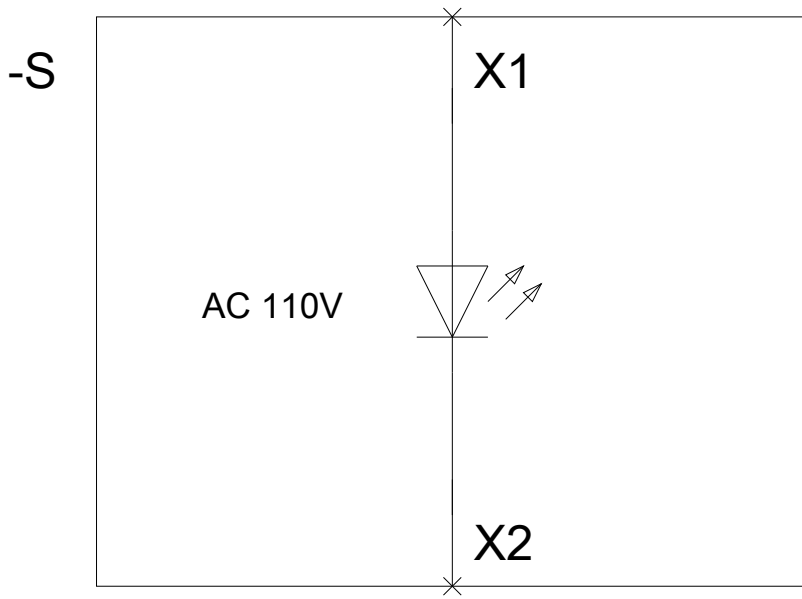
### Service&Support (Manuals, Certificates, Characteristics, FAQs,...)

<http://support.automation.siemens.com/WW/view/en/3SB34201QE/all>

### Image database (product images, 2D dimension drawings, 3D models, device circuit diagrams, EPLAN macros, ...)

[http://www.automation.siemens.com/bilddb/cax\\_de.aspx?mlfb=3SB34201QE&lang=en](http://www.automation.siemens.com/bilddb/cax_de.aspx?mlfb=3SB34201QE&lang=en)





last modified:

09.03.2015