

FAULT SIGNAL CONTACT 1NO+1NC, FOR MCB WITH TEST- + ACKNOWL. BUTTON



Figure similar

Model	
product brand name	SENTRON
Product designation	Fault signal contact
Design of the product	Mountable
Design of the product / factory mounted	No
Control current	
Type of voltage / of control voltage	AC/DC
Product details	
Product expansion	Fault signal contact
<ul style="list-style-type: none"> • can be mounted 	RCBO and miniature circuit breaker
Number	
Number of fault signal contacts	0
Number of NC contacts	1
Number of NO contacts	1
Number of CO contacts	0
Mechanical Design	
Number of width units	0.5

General Product Approval

Declaration of
Conformity

other



[other](#)

Further information

Information- and Downloadcenter (Catalogs, Brochures,...)

<http://www.siemens.com/lowvoltage/catalogs>

Industry Mall (Online ordering system)

<https://eb.automation.siemens.com/mall/en/WW/Catalog/Product/5ST30202>

Service&Support (Manuals, Certificates, Characteristics, FAQs,...)

<http://support.automation.siemens.com/WW/view/en/5ST30202/all>

Image database (product images, 2D dimension drawings, 3D models, device circuit diagrams, ...)

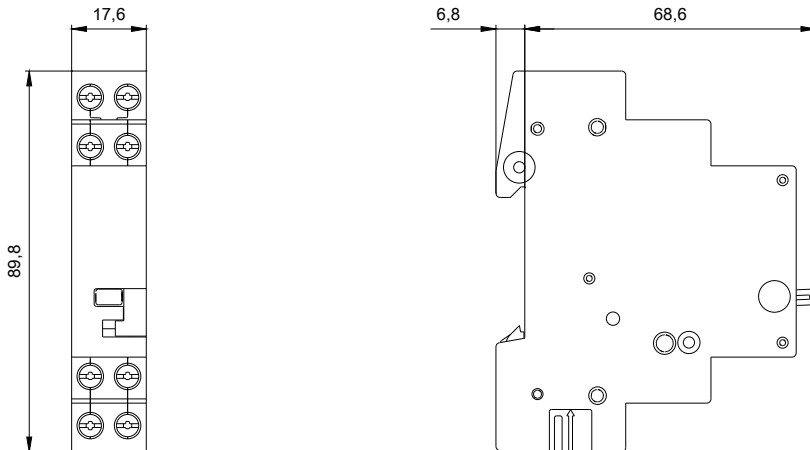
http://www.automation.siemens.com/bilddb/cax_en.aspx?mlfb=5ST30202

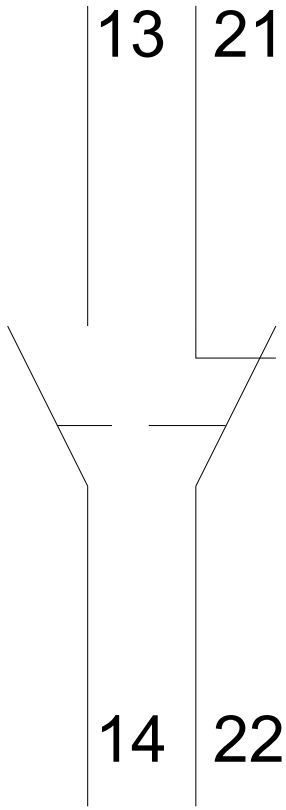
CAx-Online-Generator

<http://www.siemens.com/cax>

Tender specifications

<http://ausschreibungstexte.siemens.com/tiplv>





last modified:

11.03.2015