



## Product Change Notification / SYST-03EZTO122

---

### Date:

04-Oct-2023

### Product Category:

Memory

### PCN Type:

Document Change

### Notification Subject:

Data Sheet - SST25VF016B - 16-Mbit SPI Serial Flash Data Sheet

### Affected CPNs:

[SYST-03EZTO122\\_Affected\\_CPN\\_10042023.pdf](#)

[SYST-03EZTO122\\_Affected\\_CPN\\_10042023.csv](#)

### Notification Text:

SYST-03EZTO122

Microchip has released a new Datasheet for the SST25VF016B - 16-Mbit SPI Serial Flash Data Sheet of devices. If you are using one of these devices please read the document located at [SST25VF016B - 16-Mbit SPI Serial Flash Data Sheet](#).

**Notification Status:** Final

**Description of Change:**

Updated "Product Identification System" section; removed QAE and SAE options.

**Impacts to Data Sheet:** None

**Reason for Change:** To Improve Productivity

**Change Implementation Status:** Complete

**Date Document Changes Effective:** 04 Oct 2023

**NOTE:** Please be advised that this is a change to the document only the product has not been changed.

**Markings to Distinguish Revised from Unrevised Devices:** N/A

## Attachments:

[SST25VF016B - 16-Mbit SPI Serial Flash Data Sheet](#)

Please contact your local [Microchip sales office](#) with questions or concerns regarding this notification.

## Terms and Conditions:

If you wish to receive Microchip PCNs via email please register for our PCN email service at our [PCN home page](#) select register then fill in the required fields. You will find instructions about registering for Microchips PCN email service in the [PCN FAQ](#) section.

If you wish to change your PCN profile, including opt out, please go to the [PCN home page](#) select login and sign into your myMicrochip account. Select a profile option from the left navigation bar and make the applicable selections.

Affected Catalog Part Numbers (CPN)

SST25VF016B-50-4C-QAF

SST25VF016B-50-4C-QAF-T

SST25VF016B-50-4C-S2AF

SST25VF016B-50-4C-S2AF-T

SST25VF016B-50-4I-QAF

SST25VF016B-50-4I-QAF-T

SST25VF016B-50-4I-S2AF

SST25VF016B-50-4I-S2AF-T

---

## 16-Mbit SPI Serial Flash

---

### Features

- Single Voltage Read and Write Operations:
  - 2.7V-3.6V
- Serial Interface Architecture:
  - SPI Compatible: Mode 0 and Mode 3
- High-Speed Clock Frequency:
  - Up to 50 MHz
- Superior Reliability:
  - Endurance: 100,000 cycles (typical)
  - Greater than 100 years data retention
- Low Power Consumption:
  - Active Read Current: 10 mA (typical)
  - Standby Current: 5  $\mu$ A (typical)
- Flexible Erase Capability:
  - Uniform 4-KByte sectors
  - Uniform 32-KByte overlay blocks
  - Uniform 64-KByte overlay blocks
- Fast Erase and Byte Program:
  - Chip Erase time: 35 ms (typical)
  - Sector/Block Erase time: 18 ms (typical)
  - Byte Program time: 7  $\mu$ s (typical)
- Auto Address Increment (AAI) Programming:
  - Decrease total chip programming time over Byte Program operations
- End-of-Write Detection:
  - Software polling the BUSY bit in STATUS register
  - Busy Status readout on SO pin in AAI Mode
- Hold Pin (HOLD#):
  - Suspends a serial sequence to the memory without deselecting the device
- Write Protection (WP#):
  - Enables/Disables the Lock-Down function of the STATUS register
- Software Write Protection:
  - Write protection through Block Protection bits in STATUS register
- Temperature Range:
  - Commercial: 0°C to +70°C
  - Industrial: -40°C to +85°C
- All devices are RoHS compliant

### Packages

- 8-Lead SOIC (200 mils) and 8-Contact WSON (6 mm x 5 mm)

### Product Description

The 25 Series Serial Flash family features a four-wire, SPI-compatible interface that allows for a low pin count package which occupies less board space and ultimately lowers total system costs. The SST25VF016B devices are enhanced with improved operating frequency and even lower power consumption than the original SST25VFxxxA devices. SST25VF016B SPI Serial Flash memories are manufactured with proprietary, high-performance CMOS SuperFlash<sup>®</sup> technology. The split-gate cell design and thick-oxide tunneling injector attain better reliability and manufacturability compared with alternate approaches.

SST25VF016B devices significantly improve performance and reliability while lowering power consumption. The devices write (Program or Erase) with a single power supply of 2.7V-3.6V for SST25VF016B. The total energy consumed is a function of the applied voltage, current and time of application. For any given voltage range, the SuperFlash technology uses less current to program and has a shorter erase time. As a result, the total energy consumed during any Erase or Program operation is less than alternative Flash memory technologies.

See [Figure 2-1](#) for pin assignments.

## TO OUR VALUED CUSTOMERS

It is our intention to provide our valued customers with the best documentation possible to ensure successful use of your Microchip products. To this end, we will continue to improve our publications to better suit your needs. Our publications will be refined and enhanced as new volumes and updates are introduced.

If you have any questions or comments regarding this publication, please contact the Marketing Communications Department via E-mail at [doc.errors@microchip.com](mailto:doc.errors@microchip.com). We welcome your feedback.

### Most Current Data Sheet

To obtain the most up-to-date version of this data sheet, please register at our web site:

<http://www.microchip.com>

You can determine the version of a data sheet by examining its literature number found on the bottom outside corner of any page. The last character of the literature number is the version number, (e.g., DS30000000A is version A of document DS30000000).

### Errata

An errata sheet, describing minor operational differences from the data sheet and recommended workarounds, may exist for current devices. As device/documentation issues become known to us, we will publish an errata sheet. The errata will specify the revision of silicon and revision of document to which it applies.

To determine if an errata sheet exists for a particular device, please check with one of the following:

- Microchip's Worldwide Web site: <http://www.microchip.com>
- Your local Microchip sales office (see last page)

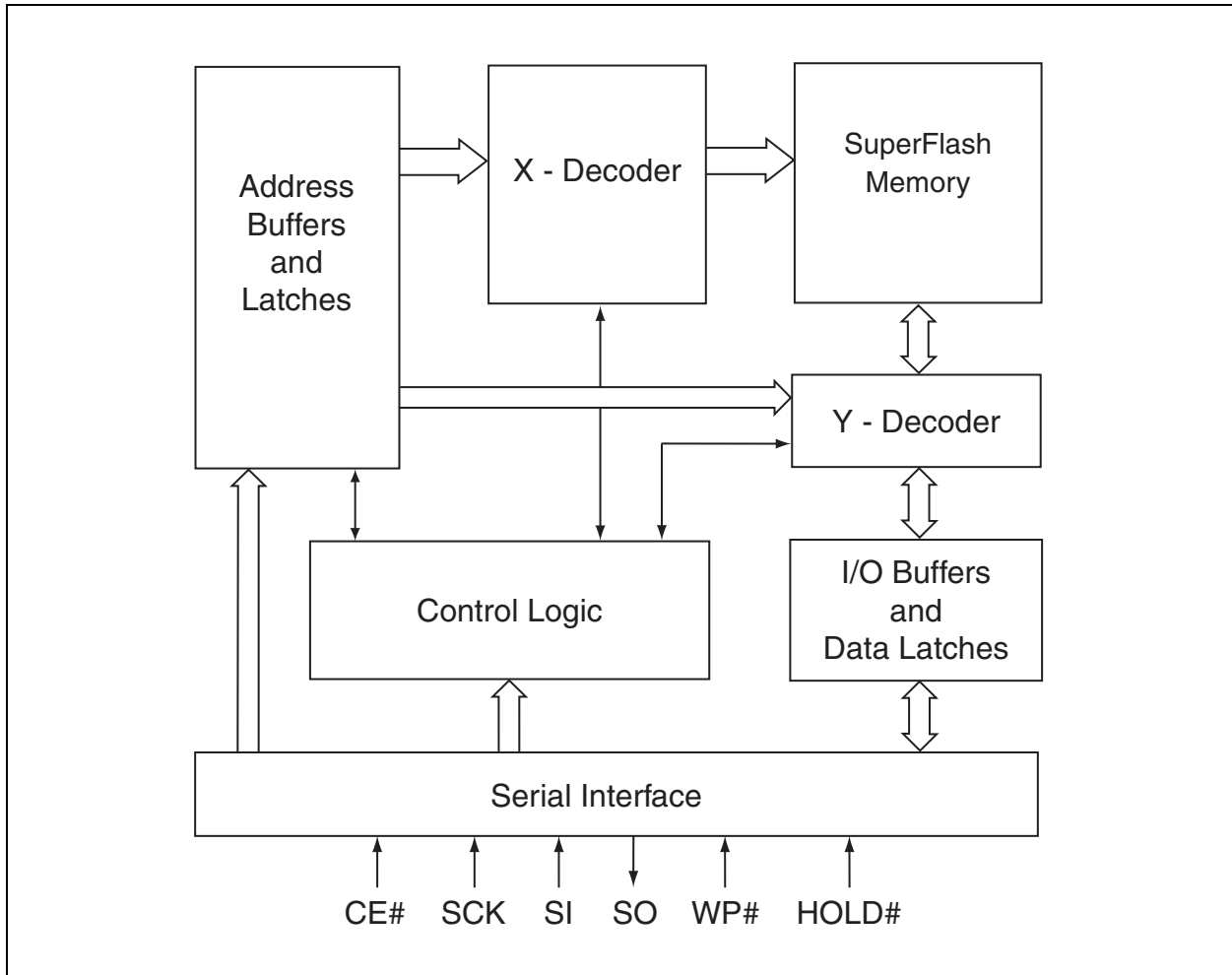
When contacting a sales office, please specify which device, revision of silicon and data sheet (include literature number) you are using.

### Customer Notification System

Register on our web site at [www.microchip.com](http://www.microchip.com) to receive the most current information on all of our products.

## 1.0 BLOCK DIAGRAM

FIGURE 1-1: FUNCTIONAL BLOCK DIAGRAM



## 2.0 PIN DESCRIPTION

FIGURE 2-1: PIN ASSIGNMENTS

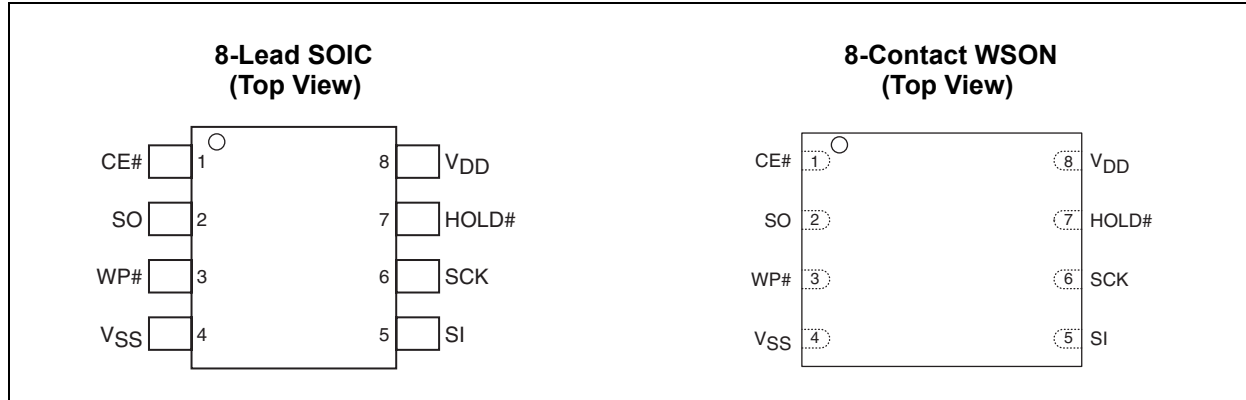


TABLE 2-1: PIN DESCRIPTION

Symbol	Pin Name	Functions
SCK	Serial Clock	To provide the timing of the serial interface. Commands, addresses or input data are latched on the rising edge of the clock input, while output data are shifted out on the falling edge of the clock input.
SI	Serial Data Input	To transfer commands, addresses or data serially into the device. Inputs are latched on the rising edge of the serial clock.
SO	Serial Data Output	To transfer data serially out of the device. Data are shifted out on the falling edge of the serial clock. Outputs Flash busy status during AAI Programming when reconfigured as RY/BY# pin. See <a href="#">Section 4.4.6 “Hardware End-of-Write Detection”</a> for details.
CE#	Chip Enable	The device is enabled by a high-to-low transition on CE#. CE# must remain low for the duration of any command sequence.
WP#	Write Protect	The Write-Protect (WP#) pin is used to enable/disable the BPL bit in the STATUS register.
HOLD#	Hold	To temporarily stop serial communication with SPI Flash memory without resetting the device.
VDD	Power Supply	To provide power supply voltage: 2.7V-3.6V for SST25VF016B
VSS	Ground	

### 3.0 MEMORY ORGANIZATION

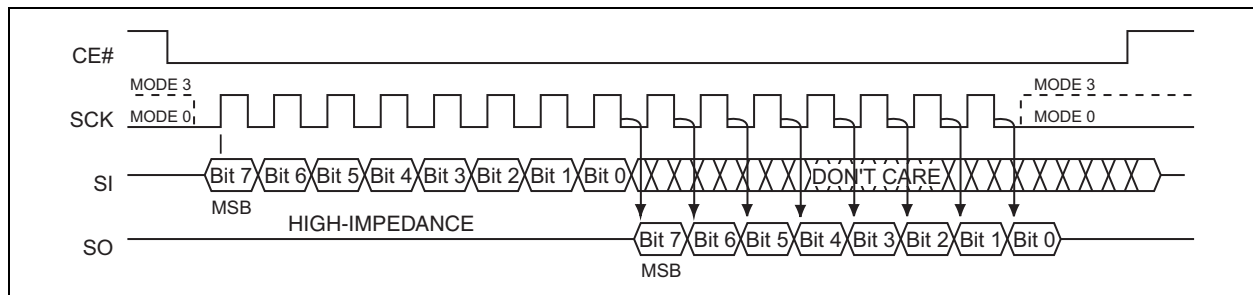
The SST25VF016B SuperFlash memory array is organized in uniform 4-KByte erasable sectors with 32-KByte overlay blocks and 64-KByte overlay erasable blocks.

### 4.0 DEVICE OPERATION

The SST25VF016B is accessed through the Serial Peripheral Interface (SPI) bus compatible protocol. The SPI bus consists of four control lines: Chip Enable (CE#) is used to select the device, and data are accessed through the Serial Data Input (SI), Serial Data Output (SO) and Serial Clock (SCK).

The SST25VF016B supports both Mode 0 (0,0) and Mode 3 (1,1) of SPI bus operations. The difference between the two modes, as shown in Figure 4-1, is the state of the SCK signal when the bus host is in Standby mode and no data are being transferred. The SCK signal is low for Mode 0 and SCK signal is high for Mode 3. For both modes, the Serial Data In (SI) is sampled at the rising edge of the SCK clock signal and the Serial Data Output (SO) is driven after the falling edge of the SCK clock signal.

FIGURE 4-1: SPI PROTOCOL



#### 4.1 Hold Operation

The HOLD# pin is used to pause a serial sequence underway with the SPI Flash memory without resetting the clocking sequence. To activate HOLD# mode, CE# must be in active-low state. Hold mode begins when the SCK active-low state coincides with the falling edge of the HOLD# signal. Hold mode ends when the HOLD# signal's rising edge coincides with the SCK active-low state.

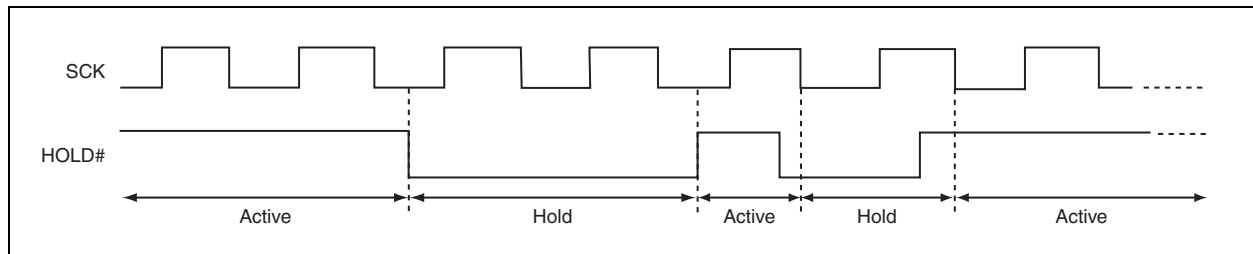
If the falling edge of the HOLD# signal does not coincide with the SCK active-low state, then the device enters Hold mode when the SCK next reaches the active-low state. Similarly, if the rising edge of the

HOLD# signal does not coincide with the SCK active-low state, then the device exits in Hold mode when the SCK next reaches the active-low state. See Figure 4-2 for Hold Condition waveform.

Once the device enters Hold mode, SO will be in high-impedance state while SI and SCK can be V<sub>IL</sub> or V<sub>IH</sub>.

If CE# is driven active-high during a Hold condition, it resets the internal logic of the device. As long as the HOLD# signal is low, the memory remains in the Hold condition. To resume communication with the device, HOLD# must be driven active-high and CE# must be driven active-low. See Figure 5-3 for Hold timing.

FIGURE 4-2: HOLD CONDITION WAVEFORM





## 4.2 Write Protection

The SST25VF016B device provides software Write protection. The Write-Protect pin (WP#) enables or disables the lock-down function of the STATUS register. The Block Protection bits (BP3, BP2, BP1, BP0 and BPL) in the STATUS register provide Write protection to the memory array and the STATUS register. See [Table 4-3](#) for the Block Protection description.

### 4.2.1 WRITE PROTECT PIN (WP#)

The Write-Protect (WP#) pin enables the lock-down function of the BPL bit (bit 7) in the STATUS register. When WP# is driven low, the execution of the Write Status Register (*wrsr*) instruction is determined by the value of the BPL bit (see [Table 4-1](#)). When WP# is high, the lock-down function of the BPL bit is disabled.

**TABLE 4-1: CONDITIONS TO EXECUTE WRITE STATUS REGISTER (*wrsr*) INSTRUCTION**

WP#	BPL	Execute <i>wrsr</i> Instruction
L	1	Not Allowed
L	0	Allowed
H	X	Allowed

## 4.3 STATUS Register

The software STATUS register provides status on whether the Flash memory array is available for any Read or Write operation, whether the device is write enabled, and the state of the memory write protected. During an internal Erase or Program operation, the STATUS register may be read only to determine the completion of an operation in progress. [Table 4-2](#) describes the function of each bit in the software STATUS register.

**TABLE 4-2: SOFTWARE STATUS REGISTER**

Bit	Name	Function	Default at Power-up	Read/Write
0	BUSY	1 = Internal Write operation is in progress 0 = No internal Write operation is in progress	0	R
1	WEL	1 = Device is memory Write enabled 0 = Device is not memory Write enabled	0	R
2	BP0	Indicate current level of block write protection (see <a href="#">Table 4-3</a> )	1	R/W
3	BP1	Indicate current level of block write protection (see <a href="#">Table 4-3</a> )	1	R/W
4	BP2	Indicate current level of block write protection (see <a href="#">Table 4-3</a> )	1	R/W
5	BP3	Indicate current level of block write protection (see <a href="#">Table 4-3</a> )	0	R/W
6	AAI	Auto Address Increment Programming status 1 = AAI programming mode 0 = Byte Program mode	0	R
7	BPL	1 = BP3, BP2, BP1, BP0 are read-only bits 0 = BP3, BP2, BP1, BP0 are read/writable	0	R/W

4.3.1 BUSY

The Busy bit determines whether there is an internal Erase or Program operation in progress. A '1' for the Busy bit indicates the device is busy with an operation in progress. A '0' indicates the device is ready for the next valid operation.

4.3.2 WRITE ENABLE LATCH (WEL)

The Write Enable Latch (WEL) bit indicates the status of the internal memory Write Enable Latch. If the Write Enable Latch bit is set to '1', it indicates the device is write enabled. If the bit is set to '0' (Reset), it indicates the device is not write enabled and does not accept any memory Write (Program/Erase) commands. The Write Enable Latch bit is automatically reset under the following conditions:

- Power-up
- Write Disable (WRDI) instruction completion
- Byte Program instruction completion
- Auto Address Increment (AAI) programming is completed or reached its highest unprotected memory address
- Sector Erase instruction completion
- Block Erase instruction completion
- Chip Erase instruction completion
- Write Status Register instruction completion

4.3.3 AUTO ADDRESS INCREMENT (AAI)

The Auto Address Increment Programming Status bit provides status on whether the device is in Auto Address Increment (AAI) programming mode or Byte Program mode. The default at power-up is Byte Program mode.

4.3.4 BLOCK PROTECTION (BP3, BP2, BP1, BP0)

The Block Protection (BP3, BP2, BP1, BP0) bits define the size of the memory area, as defined in Table 4-3, to be software protected against any memory Write (Program or Erase) operation. The Write Status Register (WRSR) instruction is used to program the BP3, BP2, BP1 and BP0 bits as long as WP# is high or the Block Protect Lock (BPL) bit is '0'. Chip Erase can only be executed if Block Protection bits are all '0'. After power-up, BP3, BP2, BP1 and BP0 are set to '1'.

4.3.5 BLOCK PROTECTION LOCK-DOWN (BPL)

WP# pin driven low (V<sub>IL</sub>) enables the Block Protection Lock-Down (BPL) bit. When BPL is set to '1', it prevents any further alteration of the BPL, BP3, BP2, BP1, and BP0 bits. When the WP# pin is driven high (V<sub>IH</sub>), the BPL bit has no effect and its value is "don't care". After power-up, the BPL bit is reset to '0'.

TABLE 4-3: SOFTWARE STATUS REGISTER BLOCK PROTECTION FOR SST25VF016B

Protection Level	STATUS Register Bit <sup>(1)</sup>				Protected Memory Address
	BP3	BP2	BP1	BP0	16 Mbit
None	X <sup>(2)</sup>	0	0	0	None
Upper 1/32	X <sup>(2)</sup>	0	0	1	1F0000H-1FFFFFFH
Upper 1/16	X <sup>(2)</sup>	0	1	0	1E0000H-1FFFFFFH
Upper 1/8	X <sup>(2)</sup>	0	1	1	1C0000H-1FFFFFFH
Upper 1/4	X <sup>(2)</sup>	1	0	0	180000H-1FFFFFFH
Upper 1/2	X <sup>(2)</sup>	1	0	1	100000H-1FFFFFFH
All Blocks	X <sup>(2)</sup>	1	1	0	000000H-1FFFFFFH
All Blocks	X <sup>(2)</sup>	1	1	1	000000H-1FFFFFFH

**Note 1:** Default at power-up for BP2, BP1 and BP0 is '111'. (all blocks protected).

**2:** X = "don't care" (Reserved) default is '0'.

4.4 Instructions

Instructions are used to read, write (Erase and Program) and configure the SST25VF016B. The instruction bus cycles are 8 bits each for commands (Op Code), data and addresses. Prior to executing any Byte Program, Auto Address Increment (AAI) programming, Sector Erase, Block Erase, Write Status Register or Chip Erase instructions, the Write Enable (WREN) instruction must be executed first. The

complete list of instructions is provided in Table 4-4. All instructions are synchronized off a high-to-low transition of CE#.

Inputs will be accepted on the rising edge of SCK starting with the Most Significant bit (MSb). CE# must be driven low before an instruction is entered and must be driven high after the last bit of the instruction has been shifted in (except for Read, Read ID and Read Status Register instructions). Any low-to-high transition on CE#, before receiving the last bit of an instruction bus cycle, will terminate the instruction in progress and

return the device to Standby mode. Instruction commands (Op Code), addresses and data are all input from the Most Significant bit (MSb) first.

**TABLE 4-4: DEVICE OPERATION INSTRUCTIONS**

Instruction	Description	Op Code Cycle <sup>(1)</sup>	Address Cycle(s) <sup>(2)</sup>	Dummy Cycle(s)	Data Cycle(s)	Maximum Frequency
Read	Read Memory at 25 MHz	0000 0011b (03H)	3	0	1 to ∞	25 MHz
High Speed Read	Read Memory at 50 MHz	0000 1011b (0BH)	3	1	1 to ∞	50 MHz
4-KByte Sector Erase <sup>(3)</sup>	Erase 4 KBytes of Memory Array	0010 0000b (20H)	3	0	0	50 MHz
32-KByte Block Erase <sup>(4)</sup>	Erase 32-KByte Block of Memory Array	0101 0010b (52H)	3	0	0	50 MHz
64-KByte Block Erase <sup>(5)</sup>	Erase 64-KByte Block of Memory Array	1101 1000b (D8H)	3	0	0	50 MHz
Chip Erase	Erase Full Memory Array	0110 0000b (60H) or 1100 0111b (C7H)	0	0	0	50 MHz
Byte Program	Program One Data Byte	0000 0010b (02H)	3	0	1	50 MHz
AAI Word Program <sup>(6)</sup>	Auto Address Increment Programming	1010 1101b (ADH)	3	0	2 to ∞	50 MHz
RDSR <sup>(7)</sup>	Read Status Register	0000 0101b (05H)	0	0	1 to ∞	50 MHz
EWSR	Enable Write Status Register	0101b 0000b (50H)	0	0	0	50 MHz
WRSR	Write Status Register	0000 0001b (01H)	0	0	1	50 MHz
WREN	Write Enable	0000 0110b (06H)	0	0	0	50 MHz
WRDI	Write Disable	0000 0100b (04H)	0	0	0	50 MHz
RDID <sup>(8)</sup>	Read ID	1001 0000b (90H) or 1010 1011b (ABH)	3	0	1 to ∞	50 MHz
JEDEC ID	JEDEC ID Read	1001 1111b (9FH)	0	0	3 to ∞	50 MHz
EBSY	Enable SO to output RY/BY# status during AAI programming	0111 0000b (70H)	0	0	0	50 MHz
DBSY	Disable SO as RY/BY# status during AAI programming	1000 0000b (80H)	0	0	0	50 MHz

**Note 1:** One bus cycle is eight clock periods.

**2:** Address bits above the Most Significant bit of each density can be V<sub>IL</sub> or V<sub>IH</sub>.

**3:** 4-KByte Sector Erase addresses: use AMS-A12, remaining addresses are “don’t care” but must be set either at V<sub>IL</sub> or V<sub>IH</sub>.

**4:** 32-KByte Block Erase addresses: use AMS-A15, remaining addresses are “don’t care” but must be set either at V<sub>IL</sub> or V<sub>IH</sub>.

**5:** 64-KByte Block Erase addresses: use AMS-A16, remaining addresses are “don’t care” but must be set either at V<sub>IL</sub> or V<sub>IH</sub>.

**6:** To continue programming to the next sequential address location, enter the 8-bit command, ADH, followed by 2 bytes of data to be programmed. Data Byte 0 will be programmed into the initial address [A23-A1] with A<sub>0</sub> = 0, Data Byte 1 will be programmed into the initial address [A23-A1] with A<sub>0</sub> = 1.

**7:** The Read Status Register is continuous with ongoing clock cycles until terminated by a low-to-high transition on CE#.

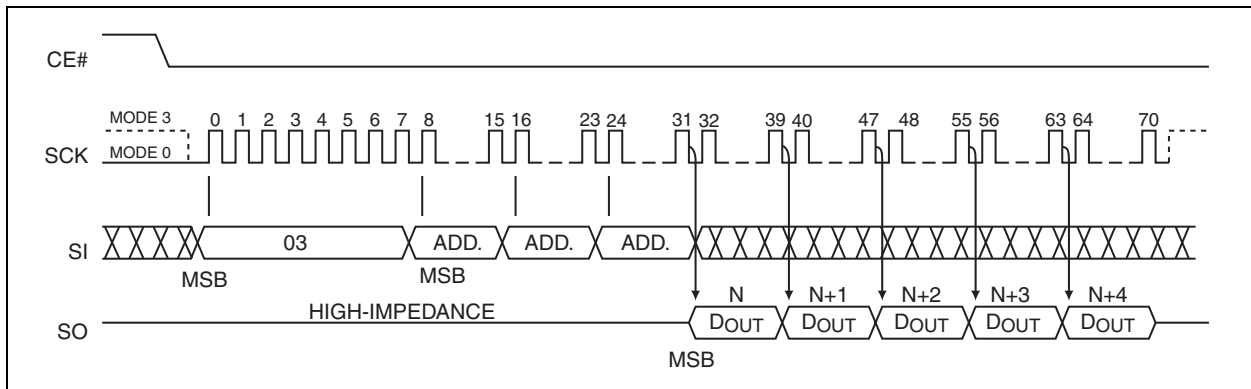
**8:** Manufacturer’s ID is read with A<sub>0</sub> = 0, and Device ID is read with A<sub>0</sub> = 1. All other address bits are 00H. The Manufacturer’s ID and device ID output stream is continuous until terminated by a low-to-high transition on CE#.

4.4.1 READ (25 MHZ)

The Read instruction, 03H, supports up to 25 MHz Read. The device outputs the data starting from the specified address location. The data output stream is continuous through all addresses until terminated by a low-to-high transition on CE#. The internal Address Pointer will automatically increment until the highest memory address is reached. Once the highest memory address is reached, the Address Pointer will automatically increment to the beginning (wrap-around) of the address space. Once the data from address location 1FFFFFFH have been read, the next output will be from address location 000000H.

The Read instruction is initiated by executing an 8-bit command, 03H, followed by address bits [A23-A0]. CE# must remain active-low for the duration of the Read cycle. See Figure 4-3 for the Read sequence.

FIGURE 4-3: READ SEQUENCE



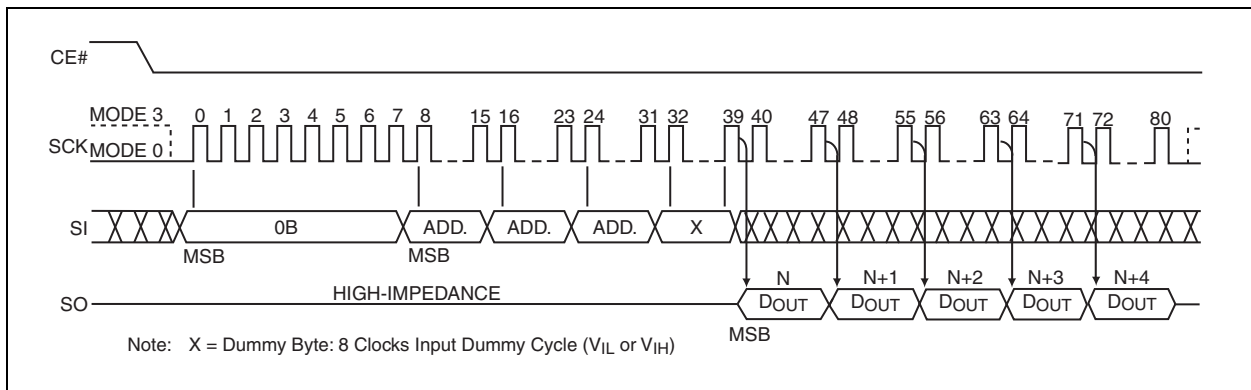
4.4.2 HIGH-SPEED READ (50 MHZ)

The High-Speed Read instruction supporting up to 50 MHz Read is initiated by executing an 8-bit command, 0BH, followed by address bits [A23-A0] and a dummy byte. CE# must remain active-low for the duration of the High-Speed Read cycle. See Figure 4-4 for the High-Speed Read sequence.

The internal Address Pointer will automatically increment until the highest memory address is reached. Once the highest memory address is reached, the Address Pointer will automatically increment to the beginning (wrap-around) of the address space. Once the data from address location 1FFFFFFH have been read, the next output will be from address location 000000H.

Following a dummy cycle, the High-Speed Read instruction outputs the data starting from the specified address location. The data output stream is continuous through all addresses until terminated by a low-to-high transition on CE#.

FIGURE 4-4: HIGH-SPEED READ SEQUENCE



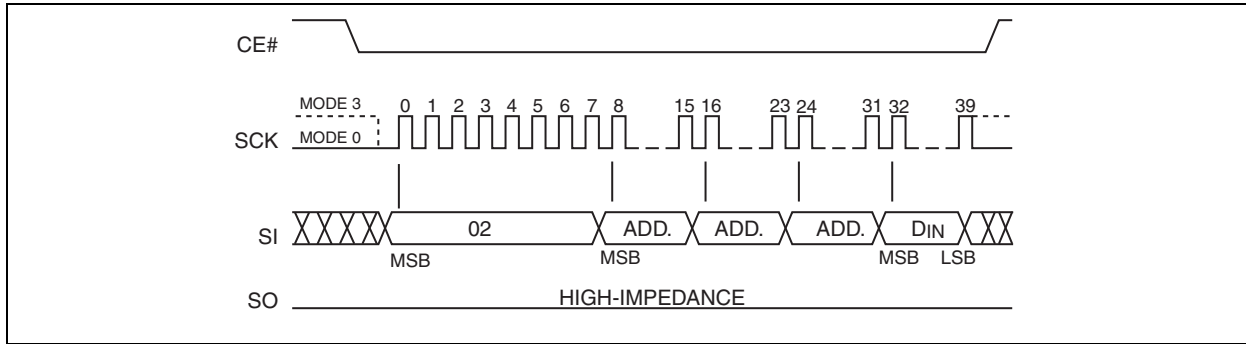
## 4.4.3 BYTE PROGRAM

The Byte Program instruction programs the bits in the selected byte to the desired data. The selected byte must be in the erased state (FFH) when initiating a program operation. A Byte Program instruction applied to a protected memory area will be ignored.

Prior to any write operation, the Write Enable (*WREN*) instruction must be executed. *CE#* must remain active-low for the duration of the Byte Program instruction.

The Byte Program instruction is initiated by executing an 8-bit command, 02H, followed by address bits [A23-A0]. Following the address, the data are input in order from MSb (bit 7) to LSb (bit 0). *CE#* must be driven high before the instruction is executed. The user may poll the Busy bit in the software STATUS register or wait TBP for the completion of the internal self-timed Byte Program operation. See Figure 4-5 for the Byte Program sequence.

**FIGURE 4-5: BYTE PROGRAM SEQUENCE**



## 4.4.4 AUTO ADDRESS INCREMENT (AAI) WORD PROGRAM

The AAI program instruction allows multiple bytes of data to be programmed without re-issuing the next sequential address location. This feature decreases total programming time when multiple bytes or entire memory array is to be programmed. An AAI Word program instruction pointing to a protected memory area will be ignored. The selected address range must be in the erased state (FFH) when initiating an AAI Word Program operation. While within AAI Word Programming sequence, only the following instructions are valid: for software end-of-write detection — AAI Word (ADH), *WRDI* (04H) and *RDSR* (05H); for hardware end-of-write detection — AAI Word (ADH) and *WRDI* (04H). There are three options to determine the completion of each AAI Word program cycle: hardware detection by reading the Serial Output, software detection by polling the BUSY bit in the software STATUS register or wait TBP. Refer to Section 4.4.5 “End-of-Write Detection” for details.

Prior to any write operation, the Write Enable (*WREN*) instruction must be executed. Initiate the AAI Word Program instruction by executing an 8-bit command, ADH, followed by address bits [A23-A0]. Following the addresses, two bytes of data are input sequentially, each one from MSb (bit 7) to LSb (bit 0). The first byte of data (D0) is programmed into the initial address [A23-A1] with A0 = 0, the second byte of Data (D1) is programmed into the initial address [A23-A1] with A0 = 1. *CE#* must be driven high before executing the AAI Word Program instruction. Check the BUSY status before entering the next valid command.

Once the device indicates it is no longer busy, data for the next two sequential addresses may be programmed, followed by the next two, and so on.

When programming the last desired word or the highest unprotected memory address, check the Busy status using either the hardware or software (*RDSR* instruction) method to check for program completion. Once programming is complete, use the applicable method to terminate AAI. If the device is in Software End-of-Write Detection mode, execute the Write Disable (*WRDI*) instruction, 04H. If the device is in AAI Hardware End-of-Write Detection mode, execute the Write Disable (*WRDI*) instruction, 04H, followed by the 8-bit DBSY command, 80H. There is no wrap mode during AAI programming once the highest unprotected memory address is reached. See Figure 4-8 and Figure 4-9 for the AAI Word programming sequence.

## 4.4.5 END-OF-WRITE DETECTION

There are three methods to determine completion of a program cycle during AAI Word programming:

- hardware detection by reading the Serial Output
- software detection by polling the BUSY bit in the Software Status Register,
- wait TBP

The Hardware End-of-Write detection method is described in the section below.

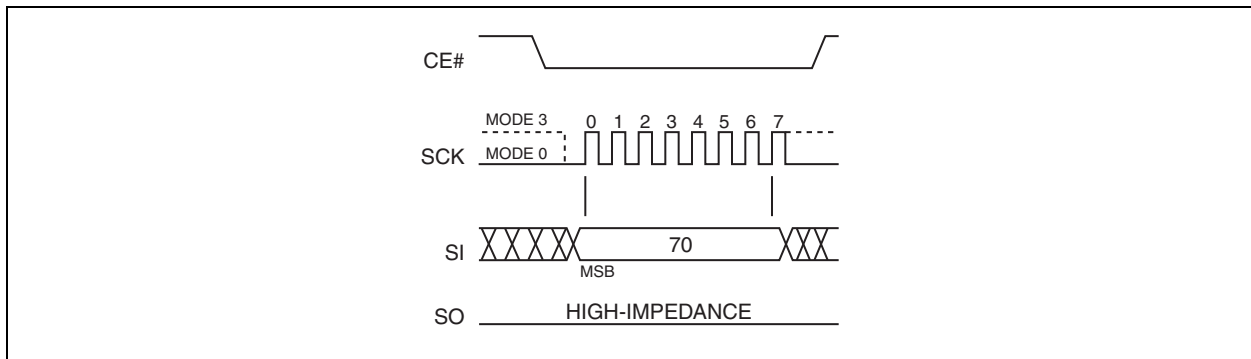
#### 4.4.6 HARDWARE END-OF-WRITE DETECTION

The Hardware End-of-Write detection method eliminates the overhead of polling the Busy bit in the Software Status Register during an AAI Word program operation. The 8-bit command, 70H, configures the Serial Output (SO) pin to indicate Flash Busy status during AAI Word programming (see Figure 4-6). The 8-bit command, 70H, must be executed prior to initiating an AAI Word Program instruction. Once an internal programming operation begins, asserting CE# will immediately drive the status of the internal Flash status on the SO pin. A '0' indicates the device is busy and a '1' indicates the device is ready for the next instruction. De-asserting CE# will return the SO pin to

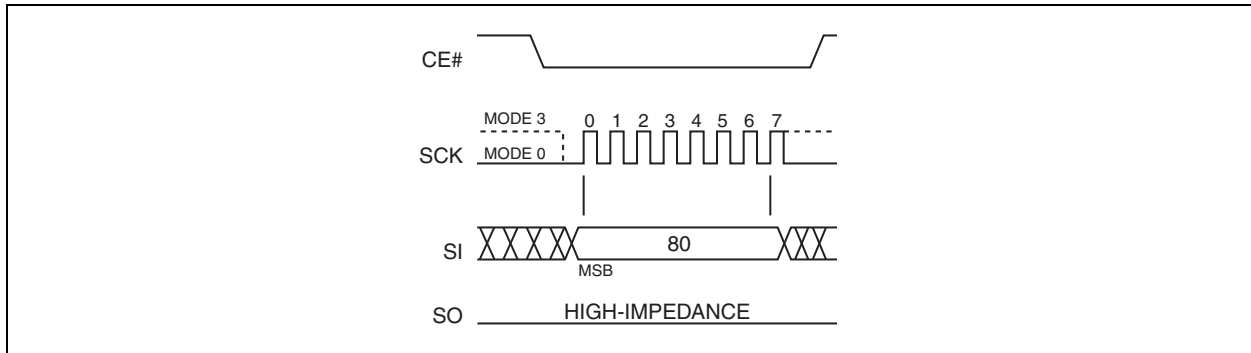
tri-state. While in AAI and Hardware End-of-Write detection mode, the only valid instructions are AAI Word (ADH) and WRDI (04H).

To exit AAI Hardware End-of-Write detection, first execute WRDI instruction, 04H, to reset the Write Enable Latch bit (WEL = 0) and AAI bit. Then execute the 8-bit DBSY command, 80H, to disable RY/BY# status during the AAI command. See Figure 4-7 and Figure 4-8.

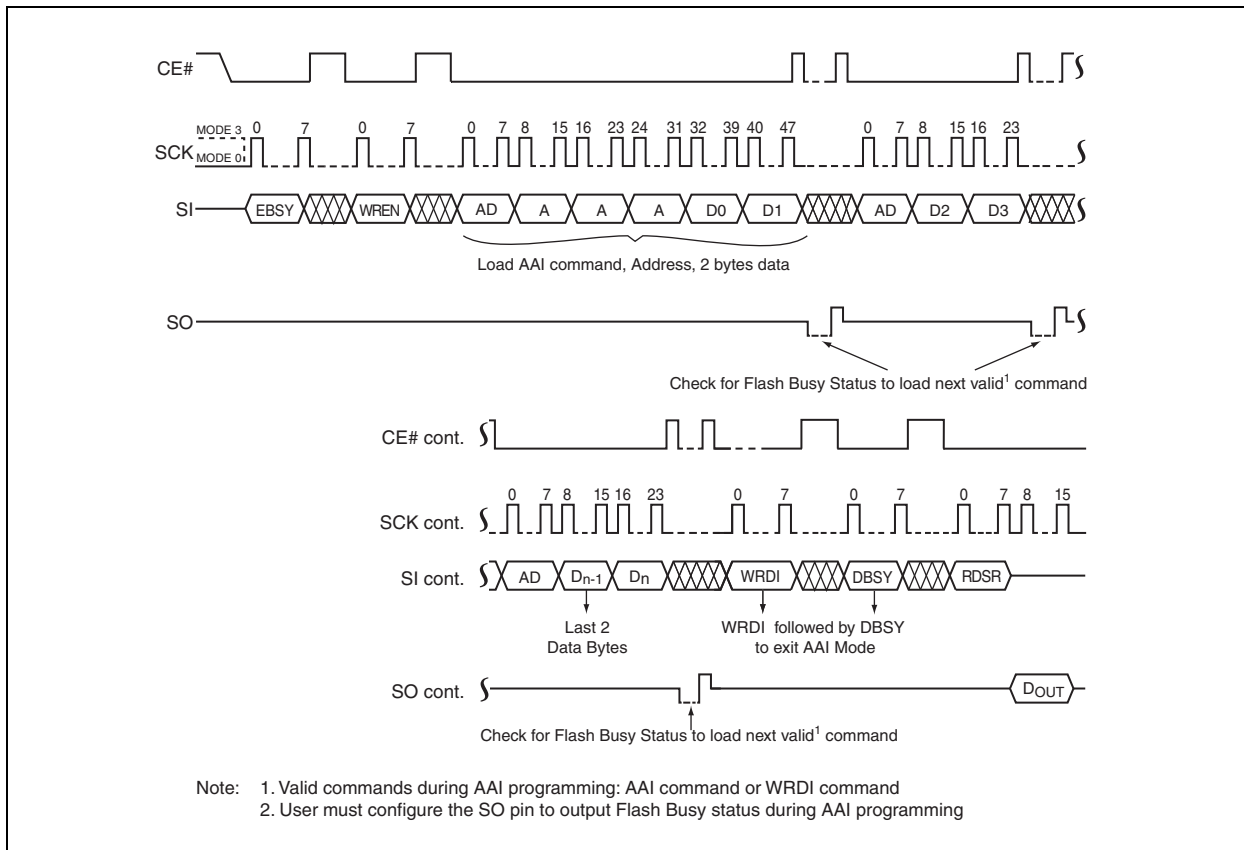
**FIGURE 4-6: ENABLE SO AS HARDWARE RY/BY# DURING AAI PROGRAMMING**



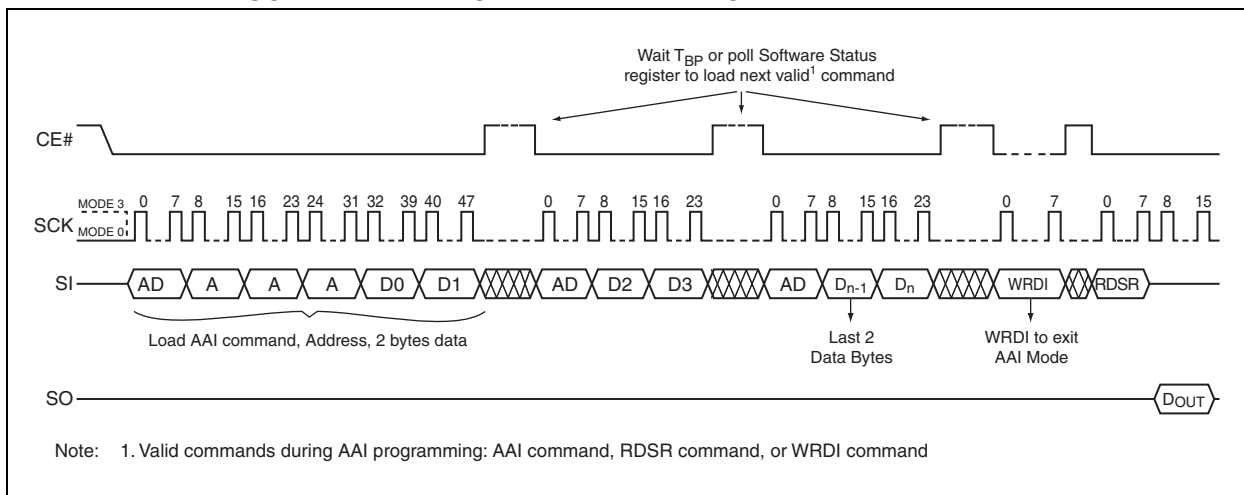
**FIGURE 4-7: DISABLE SO AS HARDWARE RY/BY# DURING AAI PROGRAMMING**



**FIGURE 4-8: AUTO ADDRESS INCREMENT (AAI) WORD PROGRAM SEQUENCE WITH HARDWARE END-OF-WRITE DETECTION**



**FIGURE 4-9: AUTO ADDRESS INCREMENT (AAI) WORD PROGRAM SEQUENCE WITH SOFTWARE END-OF-WRITE DETECTION**

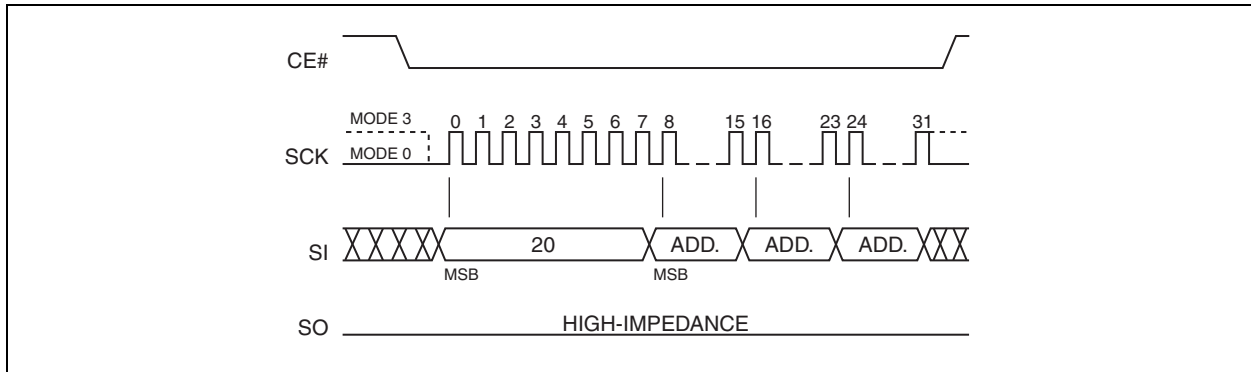


#### 4.4.7 4-KBYTE SECTOR ERASE

The Sector Erase instruction clears all bits in the selected 4-KByte sector to FFH. A Sector Erase instruction applied to a protected memory area will be ignored. Prior to any Write operation, the Write Enable ( $\overline{WREN}$ ) instruction must be executed.  $CE\#$  must remain active-low for the duration of any command sequence. The Sector Erase instruction is initiated by executing an 8-bit command, 20H, followed by address bits

[A23-A0]. Address bits [AMS-A12] (AMS = Most Significant address) are used to determine the sector address (SAX). Remaining address bits can be  $V_{IL}$  or  $V_{IH}$ .  $CE\#$  must be driven high before the instruction is executed. The user may poll the Busy bit in the software STATUS register or wait TSE for the completion of the internal self-timed Sector Erase cycle. See Figure 4-10 for the Sector Erase sequence.

FIGURE 4-10: SECTOR ERASE SEQUENCE



#### 4.4.8 32-KBYTE AND 64-KBYTE BLOCK ERASE

The 32-KByte Block Erase instruction clears all bits in the selected 32-KByte block to FFH. A Block Erase instruction applied to a protected memory area will be ignored. The 64-KByte Block Erase instruction clears all bits in the selected 64-KByte block to FFH. A Block Erase instruction applied to a protected memory area will be ignored. Prior to any Write operation, the Write Enable ( $\overline{WREN}$ ) instruction must be executed.  $CE\#$  must remain active-low for the duration of any command sequence. The 32-Kbyte Block Erase instruction is initiated by executing an 8-bit command, 52H, followed by address bits [A23-A0]. Address bits [AMS-A15] (AMS = Most

Significant Address) are used to determine block address (BAX). Remaining address bits can be  $V_{IL}$  or  $V_{IH}$ .  $CE\#$  must be driven high before the instruction is executed. The 64-Kbyte Block Erase instruction is initiated by executing an 8-bit command D8H, followed by address bits [A23-A0]. Address bits [AMS-A15] are used to determine block address (BAX). Remaining address bits can be  $V_{IL}$  or  $V_{IH}$ .  $CE\#$  must be driven high before the instruction is executed. The user may poll the Busy bit in the software STATUS register or wait TBE for the completion of the internal self-timed 32-KByte Block Erase or 64-KByte Block Erase cycles. See Figure 4-11 and Figure 4-12 for the 32-KByte Block Erase and 64-KByte Block Erase sequences.

FIGURE 4-11: 32-KBYTE BLOCK ERASE SEQUENCE

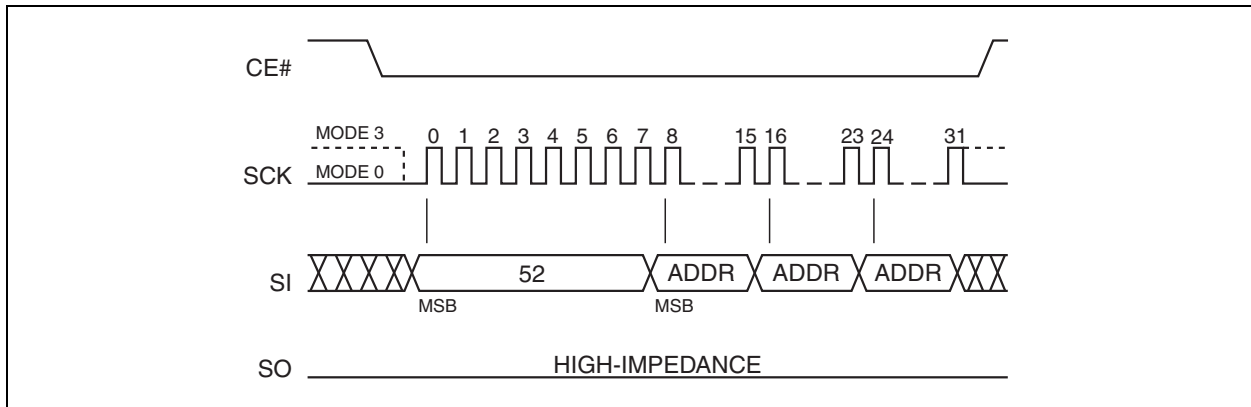
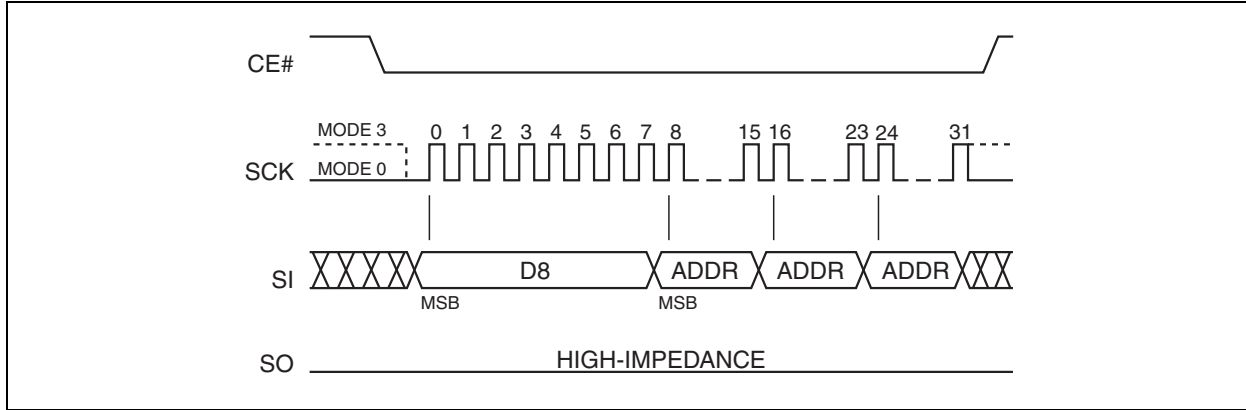




FIGURE 4-12: 64-KBYTE BLOCK ERASE SEQUENCE

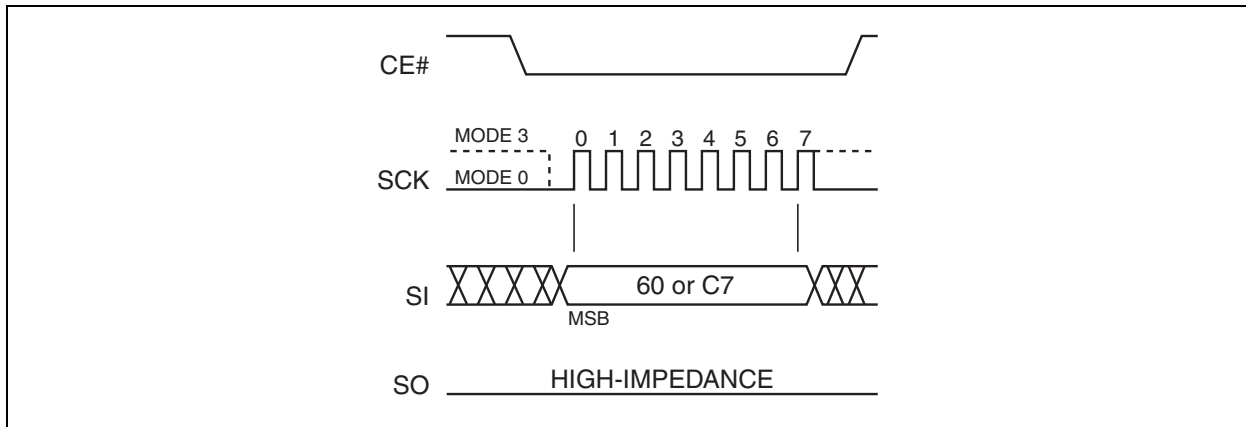


4.4.9 CHIP ERASE

The Chip Erase instruction clears all bits in the device to FFH. A Chip Erase instruction will be ignored if any of the memory area is protected. Prior to any Write operation, the Write Enable (*WREN*) instruction must be executed. CE# must remain active-low for the duration of the Chip Erase instruction sequence. The Chip

Erase instruction is initiated by executing an 8-bit command, 60H or C7H. CE# must be driven high before the instruction is executed. The user may poll the Busy bit in the software STATUS register or wait TCE for the completion of the internal self-timed Chip Erase cycle. See Figure 4-13 for the Chip Erase sequence.

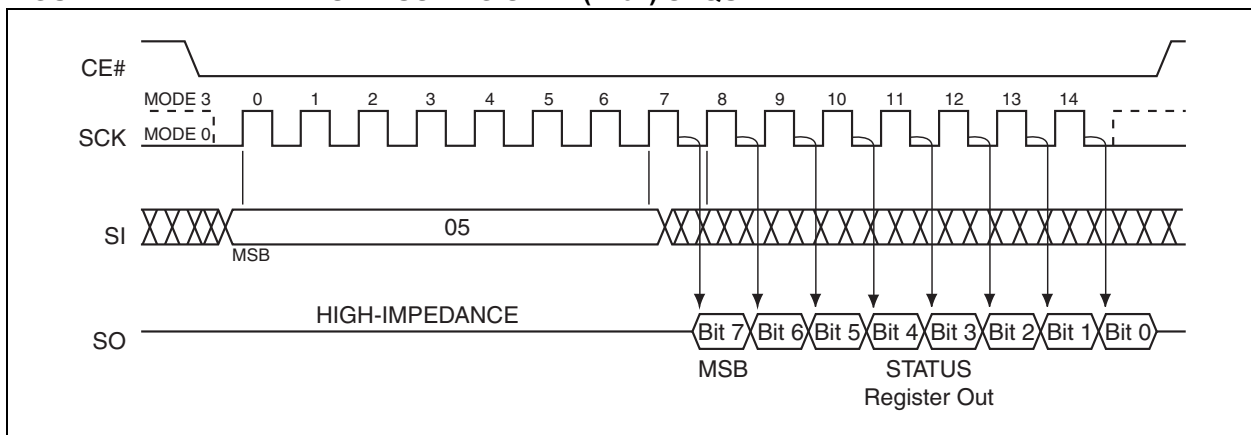
FIGURE 4-13: CHIP ERASE SEQUENCE



4.4.10 READ STATUS REGISTER (RDSR)

The Read Status Register (RDSR) instruction allows reading of the STATUS register. The STATUS register may be read at any time, even during a Write (Program/Erase) operation. When a Write operation is in progress, the Busy bit may be checked before sending any new commands to assure that the new commands are properly received by the device. CE# must be driven low before the RDSR instruction is entered and remain low until the status data are read. Read Status Register is continuous with ongoing clock cycles until it is terminated by a low-to-high transition of the CE#. See Figure 4-14 for the RDSR instruction sequence.

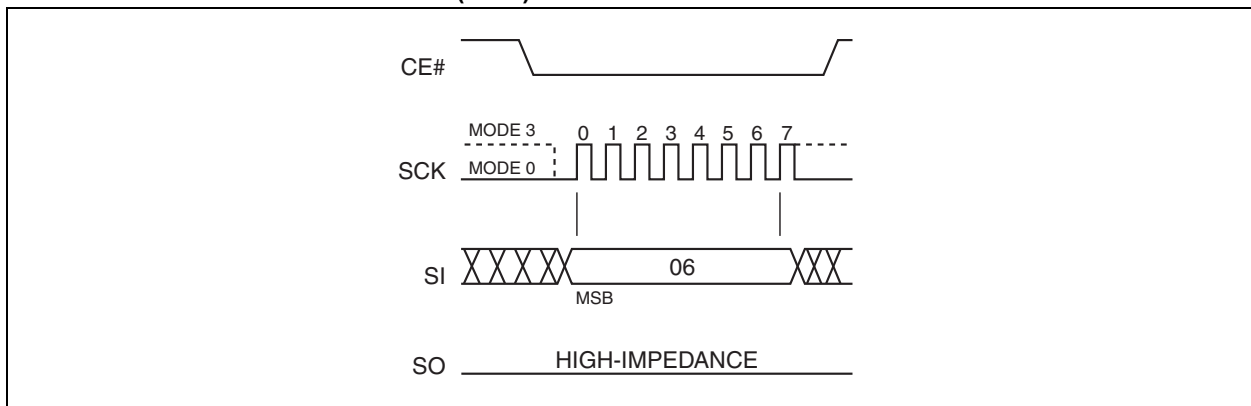
FIGURE 4-14: READ STATUS REGISTER (RDSR) SEQUENCE



4.4.11 WRITE ENABLE (WREN)

The Write Enable (WREN) instruction sets the Write Enable Latch bit in the STATUS register to '1', allowing write operations to occur. The WREN instruction must be executed prior to any Write (Program/Erase) operation. The WREN instruction may also be used to allow execution of the Write Status Register (WRSR) instruction; however, the Write Enable Latch bit in the STATUS register will be cleared upon the rising edge CE# of the WRSR instruction. CE# must be driven high before the WREN instruction is executed.

FIGURE 4-15: WRITE ENABLE (WREN) SEQUENCE

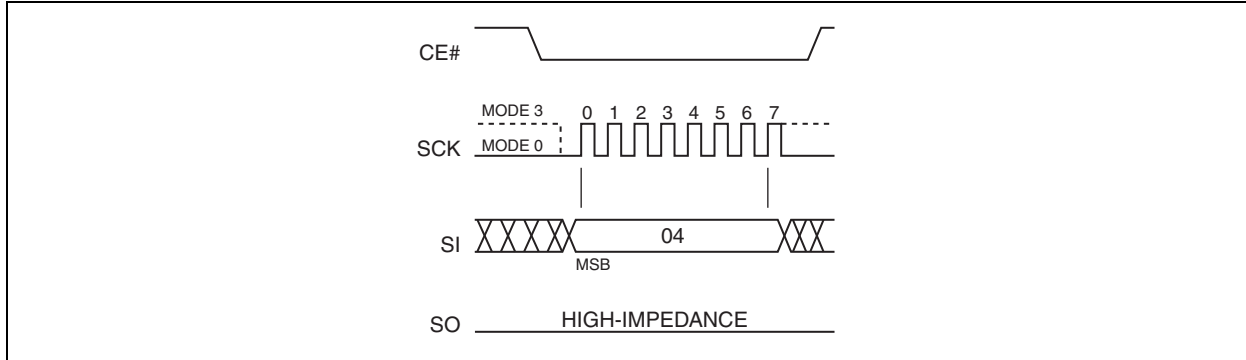


## 4.4.12 WRITE DISABLE ( $\overline{\text{WRDI}}$ )

The Write Disable ( $\overline{\text{WRDI}}$ ) instruction resets the Write Enable Latch bit and AAI bit to '0', disabling any new write operations from occurring. The  $\overline{\text{WRDI}}$  instruction will not terminate any programming operation in progress.

Any program operation in progress may continue up to TBP after executing the  $\overline{\text{WRDI}}$  instruction. CE# must be driven high before the  $\overline{\text{WRDI}}$  instruction is executed.

**FIGURE 4-16: WRITE DISABLE ( $\overline{\text{WRDI}}$ ) SEQUENCE**



## 4.4.13 ENABLE WRITE STATUS REGISTER ( $\overline{\text{EWSR}}$ )

The Enable Write Status Register ( $\overline{\text{EWSR}}$ ) instruction arms the Write Status Register ( $\overline{\text{WRSR}}$ ) instruction and opens the STATUS register for alteration. The Write Status Register instruction must be executed immediately after the execution of the Enable Write Status Register instruction. This two-step instruction sequence of the  $\overline{\text{EWSR}}$  instruction followed by the  $\overline{\text{WRSR}}$  instruction works like software data protection (SDP) command structure, which prevents any accidental alteration of the STATUS register values. CE# must be driven low before the  $\overline{\text{EWSR}}$  instruction is entered and must be driven high before the  $\overline{\text{EWSR}}$  instruction is executed.

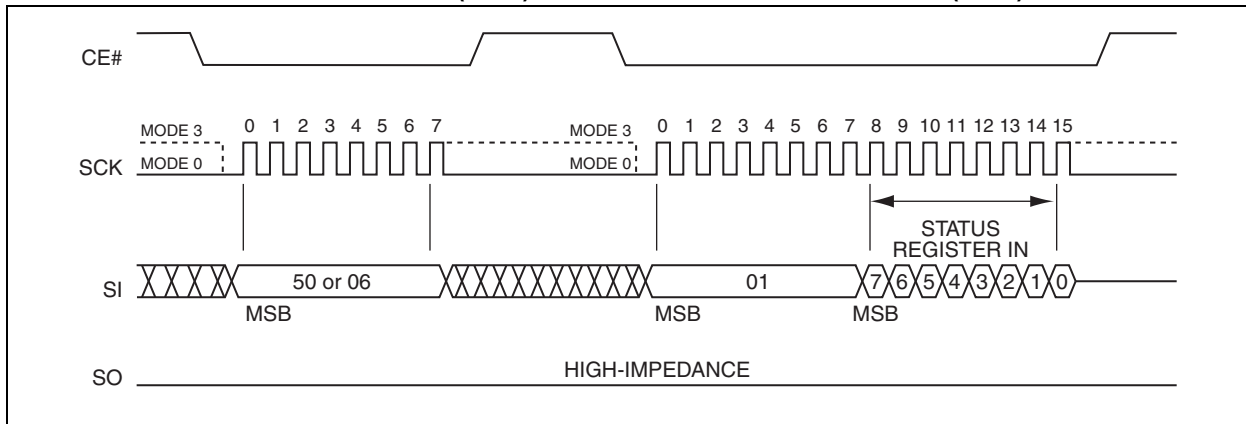
CE# must be driven low before the command sequence of the  $\overline{\text{WRSR}}$  instruction is entered and driven high before the  $\overline{\text{WRSR}}$  instruction is executed. See Figure 4-17 for  $\overline{\text{EWSR}}$  or  $\overline{\text{WREN}}$  and  $\overline{\text{WRSR}}$  instruction sequences.

Executing the Write Status Register instruction will be ignored when WP# is low and BPL bit is set to '1'. When the WP# is low, the BPL bit can only be set from '0' to '1' to lock down the STATUS register, but cannot be reset from '1' to '0'. When WP# is high, the lock-down function of the BPL bit is disabled and the BPL, BP0 and BP1 and BP2 bits in the STATUS register can all be changed. As long as BPL bit is set to '0' or the WP# pin is driven high ( $V_{IH}$ ) prior to the low-to-high transition of the CE# pin at the end of the  $\overline{\text{WRSR}}$  instruction, the bits in the STATUS register can all be altered by the  $\overline{\text{WRSR}}$  instruction. In this case, a single  $\overline{\text{WRSR}}$  instruction can set the BPL bit to '1' to lock down the STATUS register as well as altering the BP0, BP1 and BP2 bits at the same time. See Table 4-1 for a summary description of WP# and BPL functions.

## 4.4.14 WRITE STATUS REGISTER ( $\overline{\text{WRSR}}$ )

The Write Status Register instruction writes new values to the BP3, BP2, BP1, BP0 and BPL bits of the STATUS register.

**FIGURE 4-17: ENABLE WRITE STATUS REGISTER ( $\overline{\text{EWSR}}$ ) OR WRITE ENABLE ( $\overline{\text{WREN}}$ ) AND WRITE STATUS REGISTER ( $\overline{\text{WRSR}}$ ) SEQUENCE**



4.4.15 JEDEC READ D

The JEDEC Read ID instruction identifies the device as SST25VF016B and the manufacturer as Microchip. The device information can be read from executing the 8-bit command, 9FH. Following the JEDEC Read ID instruction, the 8-bit manufacturer's ID, BFH, is output from the device. After that, a 16-bit device ID is shifted out on the SO pin. Byte 1, BFH, identifies the manufacturer as Microchip. Byte 2, 25H, identifies the

memory type as SPI Serial Flash. Byte 3, 41H, identifies the device as SST25VF016B. The instruction sequence is shown in Figure 4-18. The JEDEC Read ID instruction is terminated by a low-to-high transition on CE# at any time during data output. If no other command is issued after executing the JEDEC Read ID instruction, issue a 00H (NOP) command before going into Standby Mode (CE# = VIH).

FIGURE 4-18: JEDEC READ ID SEQUENCE

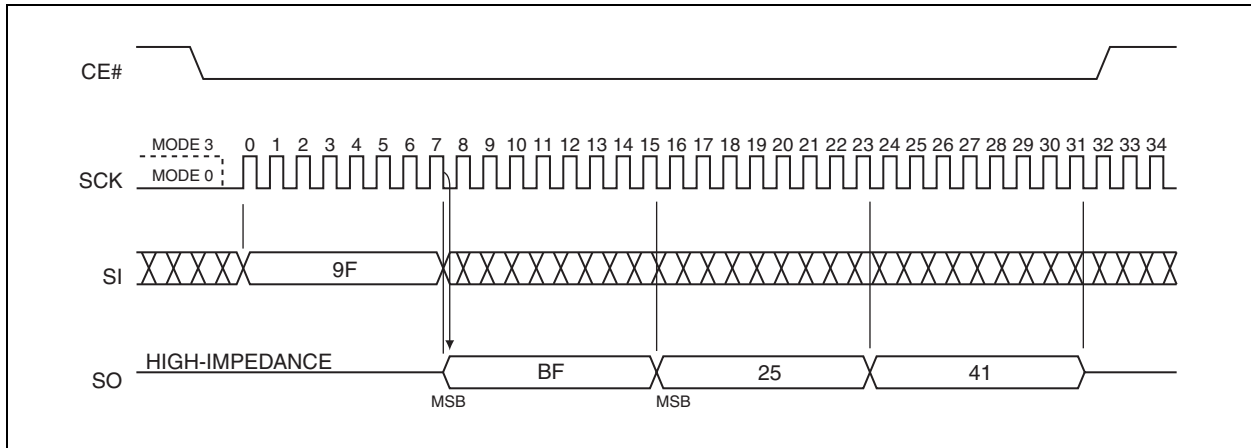


TABLE 4-5: JEDEC READ ID DATA

Manufacturer's ID	Device ID	
	Memory Type	Memory Capacity
Byte1	Byte 2	Byte 3
BFH	25H	41H

# SST25VF016B

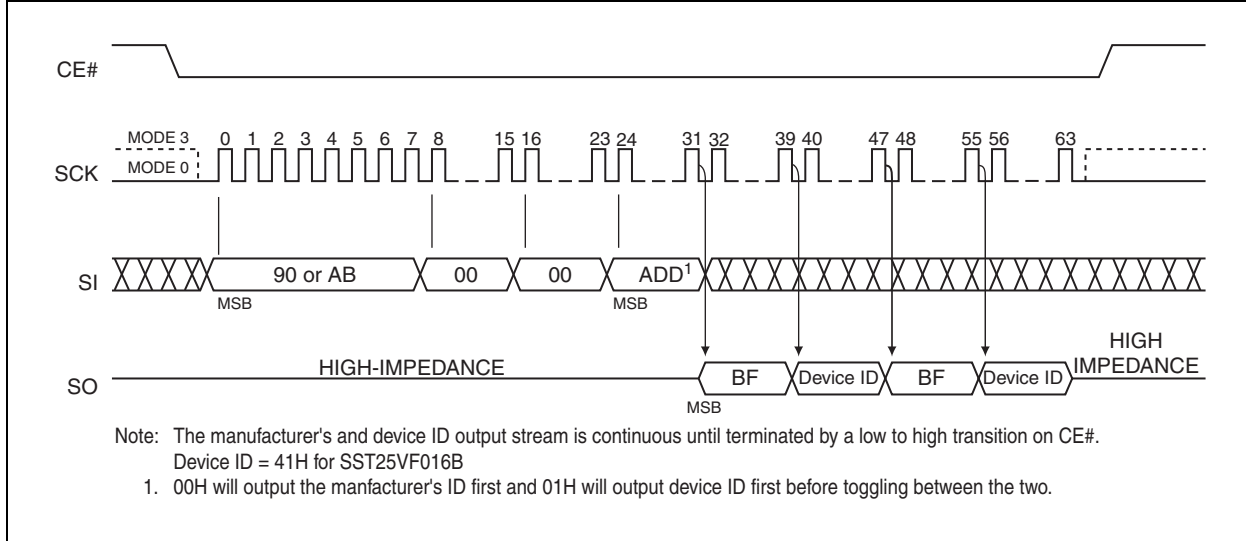
## 4.4.16 READ ID (RDID)

The Read ID instruction (RDID) identifies the device as SST25VF016B and manufacturer as Microchip. This command is backward compatible to all SST25xFxxxA devices and should be used as default device identification when multiple versions of SPI Serial Flash devices are used in a design. The device information can be read from executing an 8-bit command, 90H or ABH, followed by address bits [A23-A0]. Following the

Read ID instruction, the manufacturer's ID is located in address 00000H and the device ID is located in address 00001H. Once the device is in Read ID mode, the manufacturer and device ID output data toggle between address 00000H and 00001H until terminated by a low-to-high transition on CE#.

Refer to [Table 4-5](#) and [Table 4-6](#) for device identification data.

**FIGURE 4-19: READ ID SEQUENCE**



**TABLE 4-6: PRODUCT IDENTIFICATION**

	Address	Data
Manufacturer's ID	00000H	BFH
Device ID		
SST25VF016B	00001H	41H

## 5.0 ELECTRICAL SPECIFICATIONS

### Absolute Maximum Ratings (†)

Temperature under bias .....	-55°C to +125°C
Storage temperature .....	-65°C to +150°C
DC voltage on any pin to ground potential .....	-0.5V to VDD+0.5V
Transient voltage (<20 ns) on any pin to ground potential .....	-2.0V to VDD+2.0V
Package power dissipation capability (TA = +25°C) .....	1.0W
Surface mount solder reflow temperature .....	+260°C for 10 seconds
Output short circuit current <sup>(1)</sup> .....	50 mA

† **NOTICE:** Stresses above those listed under “Absolute Maximum Ratings” may cause permanent damage to the device. This is a stress rating only and functional operation of the device at those or any other conditions above those indicated in the operational listings of this specification is not implied. Exposure to maximum rating conditions for extended periods may affect device reliability.

**Note 1:** Output shorted for no more than one second. No more than one output shorted at a time.

**TABLE 5-1: OPERATING RANGE**

Range	Ambient Temp	VDD
Commercial	0°C to +70°C	2.7V-3.6V
Industrial	-40°C to +85°C	2.7V-3.6V

**TABLE 5-2: AC CONDITIONS OF TEST<sup>(1)</sup>**

Input Rise/Fall Time	Output Load
5 ns	CL = 30 pF

**Note 1:** See [Figure 5-5](#) and [Figure 5-6](#).

**TABLE 5-3: DC OPERATING CHARACTERISTICS**

Symbol	Parameter	Limits			Test Conditions
		Min.	Max.	Units	
IDDR	Read Current	—	10	mA	CE# = 0.1 VDD/0.9 VDD@25 MHz, SO = open
IDDR2	Read Current	—	15	mA	CE# = 0.1 VDD/0.9 VDD@50 MHz, SO = open
IDDR3	Read Current	—	20	mA	CE# = 0.1 DD/0.9 VDD@50 MHz, SO = open
IDDW	Program and Erase Current	—	30	mA	CE# = VDD
ISB	Standby Current	—	20	µA	CE# = VDD, VIN = VDD or VSS
ILI	Input Leakage Current	—	1	µA	VIN = GND to VDD, VDD = VDD Max.
ILO	Output Leakage Current	—	1	µA	VOUT = GND to VDD, VDD = VDD Max.
VIL	Input Low Voltage	—	0.8	V	VDD = VDD Min.
VIH	Input High Voltage	0.7 VDD	—	V	VDD = VDD Max.
VOL	Output Low Voltage	—	0.2	V	IOL = 100 µA, VDD = VDD Min.
VOL2	Output Low Voltage	—	0.4	V	IOL = 1.6 mA, VDD = VDD Min.
VOH	Output High Voltage	VDD-0.2	—	V	IOH = -100 µA, VDD = VDD Min.

**TABLE 5-4: RELIABILITY CHARACTERISTICS**

Symbol	Parameter	Minimum Specification	Units	Test Method
NEND <sup>(1)</sup>	Endurance	10,000	Cycles	JEDEC Standard A117
TDR <sup>(1)</sup>	Data Retention	100	Years	JEDEC Standard A103
ILTH <sup>(1)</sup>	Latch Up	100 + I <sub>DD</sub>	mA	JEDEC Standard 78

**Note 1:** This parameter is measured only for initial qualification and after a design or process change that could affect this parameter.

**TABLE 5-5: AC OPERATING CHARACTERISTICS**

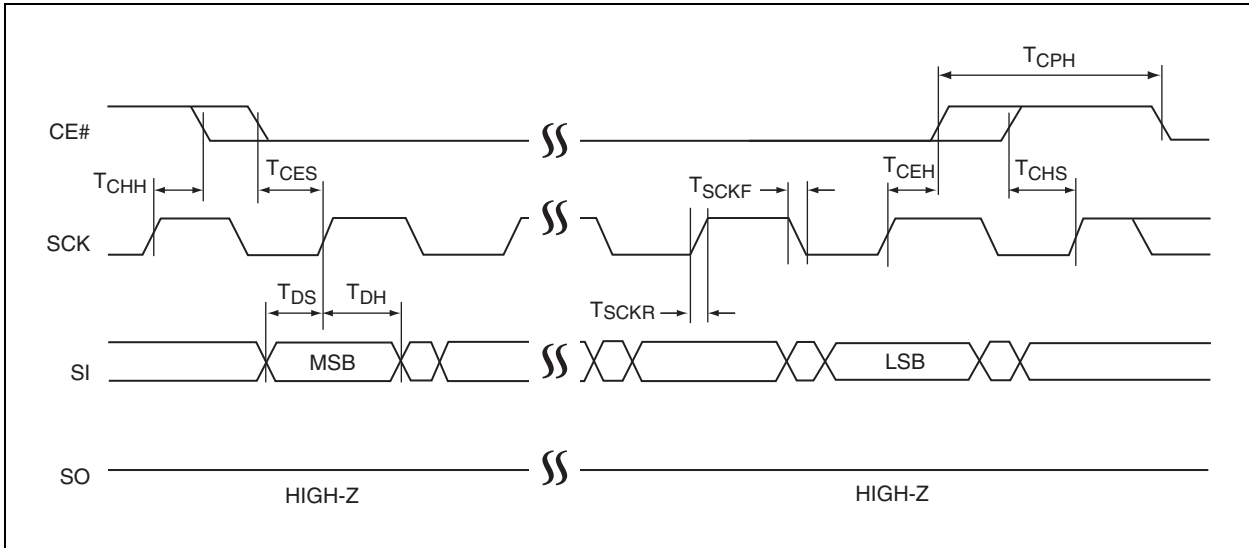
Symbol	Parameter	25 MHz		50 MHz		Units
		Min.	Max.	Min.	Max.	
FCLK <sup>(1)</sup>	Serial Clock Frequency	—	25	—	50	MHz
TCKH	Serial Clock High Time	18	—	9	—	ns
TCKL	Serial Clock Low Time	18	—	9	—	ns
TCKR <sup>(2)</sup>	Serial Clock Rise Time (Slew Rate)	0.1	—	0.1	—	V/ns
TCKF	Serial Clock Fall Time (Slew Rate)	0.1	—	0.1	—	V/ns
TCES <sup>(3)</sup>	CE# Active Setup Time	10	—	5	—	ns
TCEH <sup>(3)</sup>	CE# Active Hold Time	10	—	5	—	ns
TCHS <sup>(3)</sup>	CE# Not Active Setup Time	10	—	5	—	ns
TCHH <sup>(3)</sup>	CE# Not Active Hold Time	10	—	5	—	ns
TCPH	CE# High Time	100	—	50	—	ns
TCHZ	CE# High to High-Z Output	—	15	—	8	ns
TCLZ	SCK Low to Low-Z Output	0	—	0	—	ns
TDS	Data In Setup Time	5	—	2	—	ns
TDH	Data In Hold Time	5	—	5	—	ns
THLS	HOLD# Low Setup Time	10	—	5	—	ns
THHS	HOLD# High Setup Time	10	—	5	—	ns
THLH	HOLD# Low Hold Time	10	—	5	—	ns
THHH	HOLD# High Hold Time	10	—	5	—	ns
THZ	HOLD# Low to High-Z Output	—	20	—	8	ns
TLZ	HOLD# High to Low-Z Output	—	15	—	8	ns
TOH	Output Hold from SCK Change	0	—	0	—	ns
TV	Output Valid from SCK	—	15	—	8	ns
TSE	Sector Erase	—	25	—	25	ms
TBE	Block Erase	—	25	—	25	ms
TSCE	Chip Erase	—	50	—	50	ms
TBP	Byte Program	—	10	—	10	μs

**Note 1:** Maximum clock frequency for Read instruction, 03H, is 25 MHz.

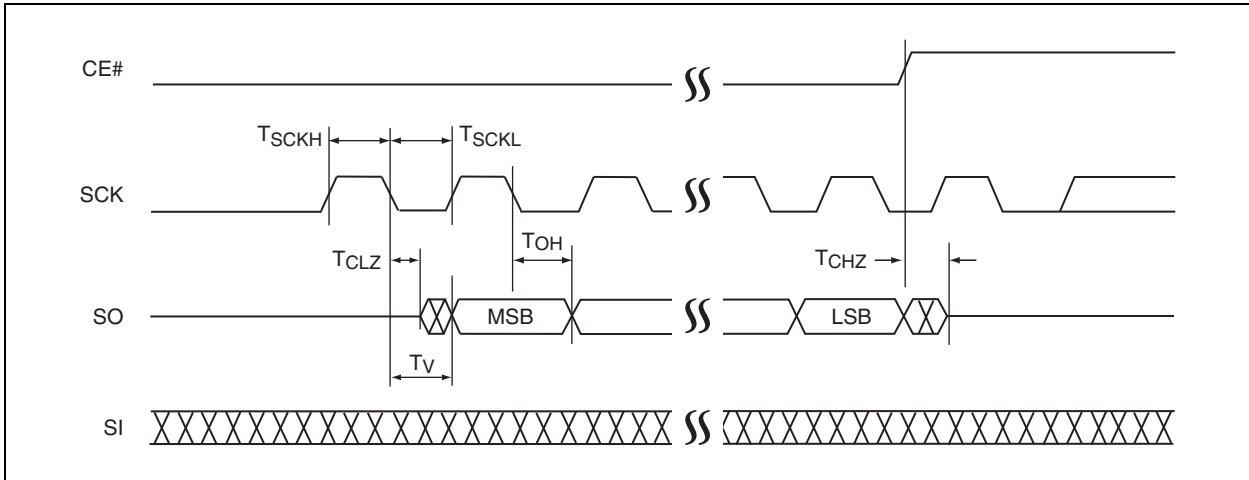
**Note 2:** Maximum Rise and Fall time may be limited by TCKH and TCKL requirements.

**Note 3:** Relative to SCK.

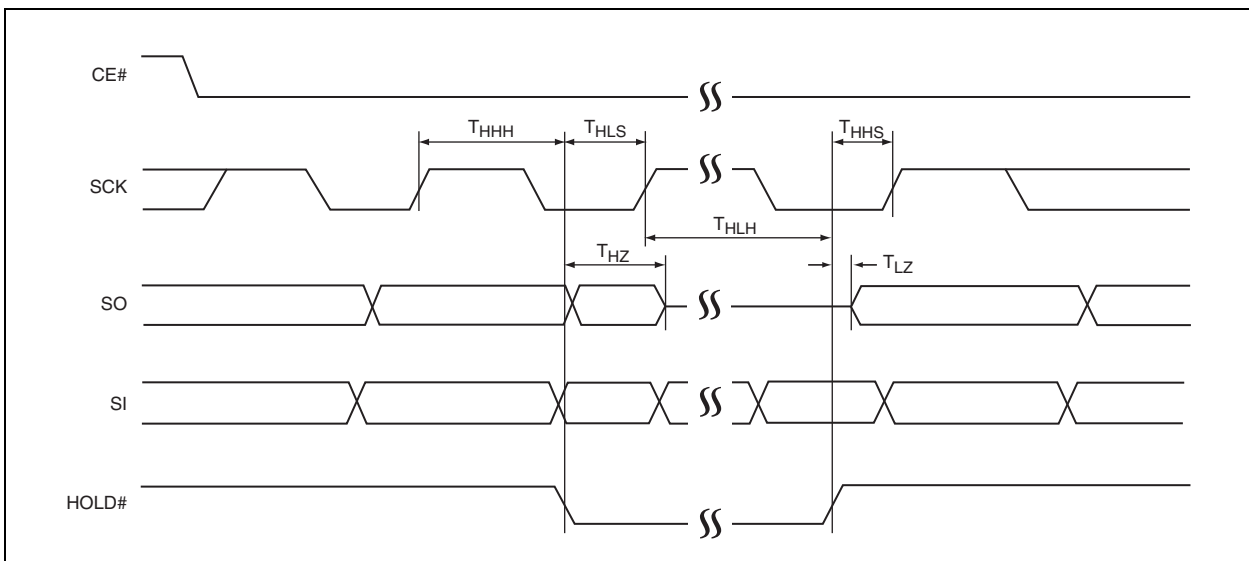
**FIGURE 5-1: SERIAL INPUT TIMING DIAGRAM**



**FIGURE 5-2: SERIAL OUTPUT TIMING DIAGRAM**



**FIGURE 5-3: HOLD TIMING DIAGRAM**





## 5.1 Power-Up Specifications

All functionalities and DC specifications are specified for a  $V_{DD}$  ramp rate of greater than 1V per 100 ms (0V – 3.0V in less than 300 ms). See [Table 5-6](#) and [Figure 5-4](#) for more information.

**TABLE 5-6: RECOMMENDED SYSTEM POWER-UP TIMINGS**

Symbol	Parameter	Minimum	Units
TPU-READ <sup>(1)</sup>	VDD Min to Read Operation	100	$\mu$ s
TPU-WRITE <sup>(1)</sup>	VDD Min to Write Operation	100	$\mu$ s

**Note 1:** This parameter is measured only for initial qualification and after a design or process change that could affect this parameter.

**FIGURE 5-4: POWER-UP TIMING DIAGRAM**

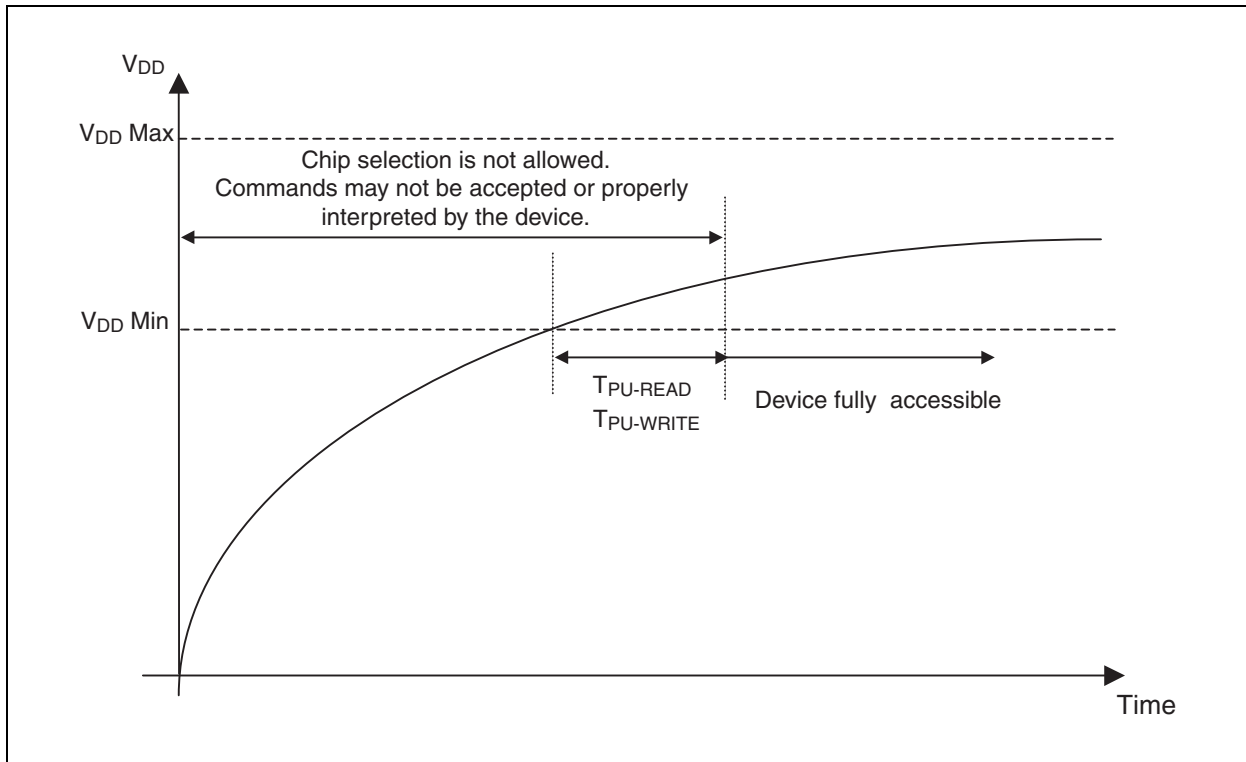


FIGURE 5-5: AC INPUT/OUTPUT REFERENCE WAVEFORMS

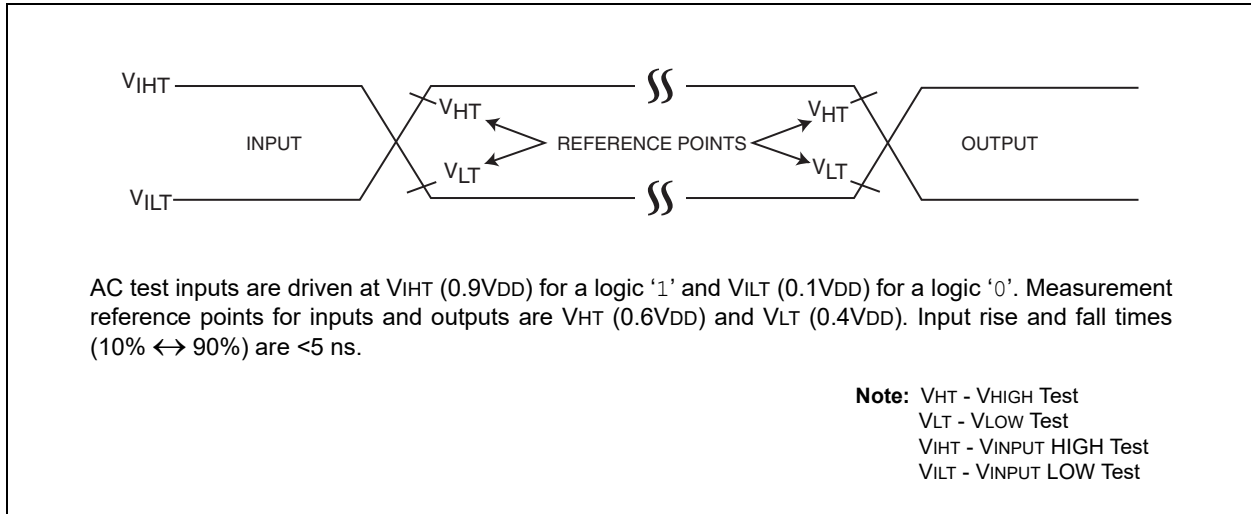
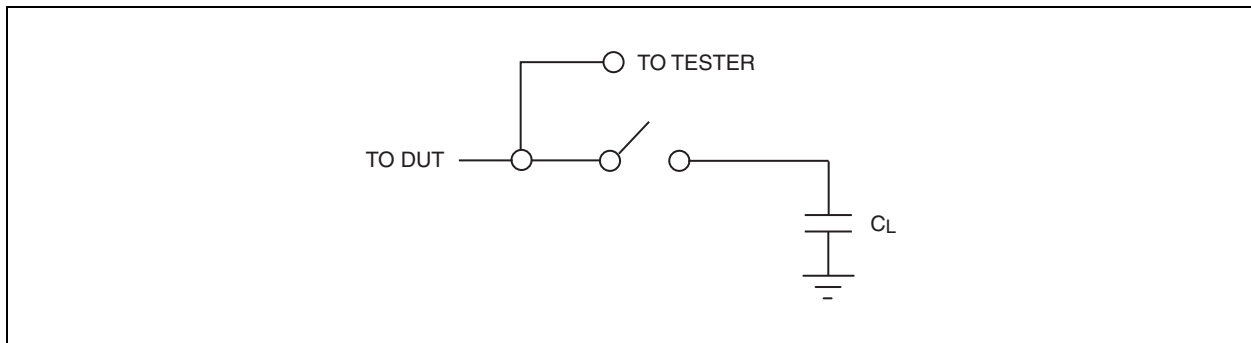


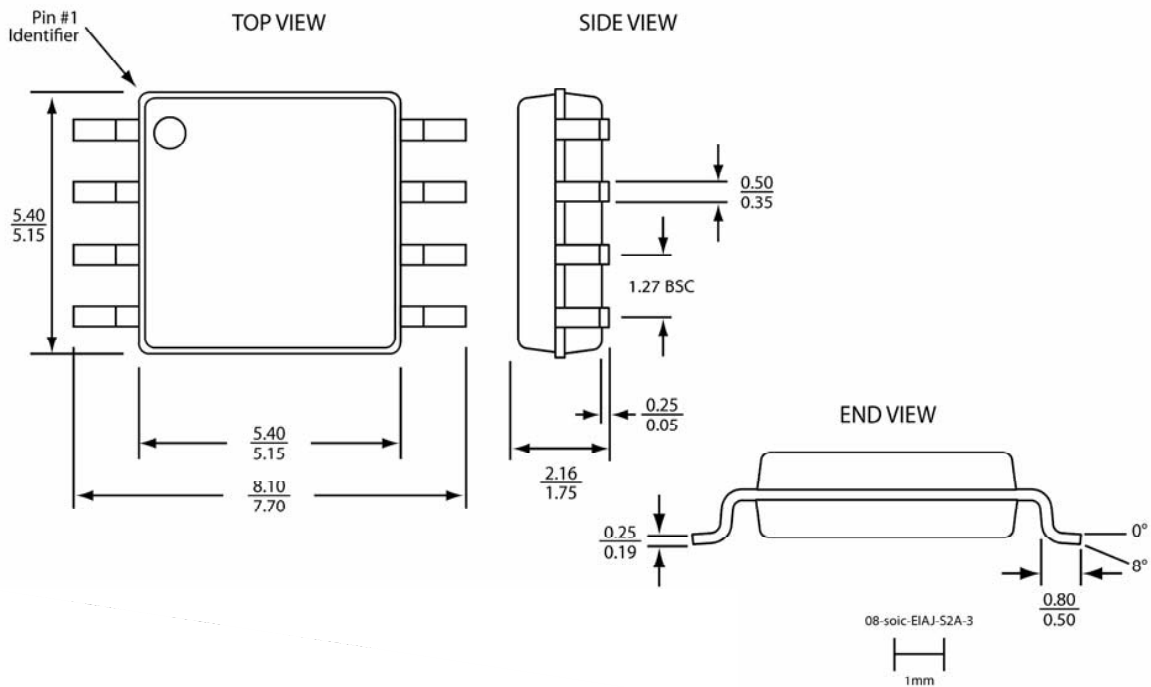
FIGURE 5-6: A TEST LOAD EXAMPLE



## 6.0 PACKAGING DIAGRAMS

### 8-Lead Small Outline Integrated Circuit (S2AE/F) - .208 Inch Body [SOIC]

**Note:** For the most current package drawings, please see the Microchip Packaging Specification located at <http://www.microchip.com/packaging>

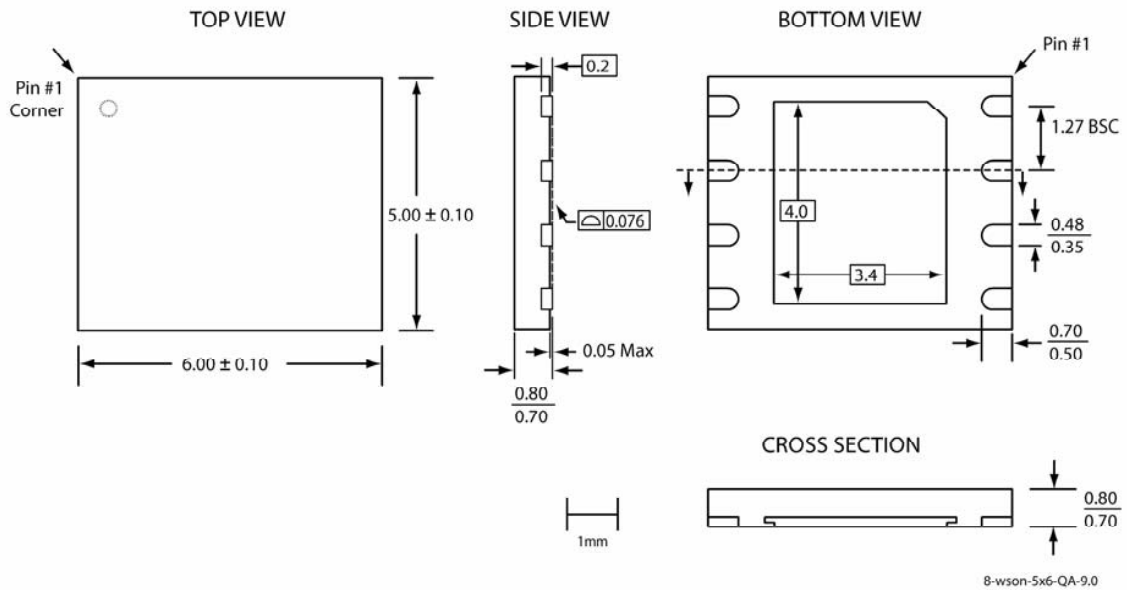


**Note:**

1. All linear dimensions are in millimeters (max/min).
2. Coplanarity: 0.1 mm
3. Maximum allowable mold flash is 0.15 mm at the package ends and 0.25 mm between leads.

8-Lead Very, Very Thin Small Outline No-Leads (QAE/F) - 5x6 mm Body [WSON]

**Note:** For the most current package drawings, please see the Microchip Packaging Specification located at <http://www.microchip.com/packaging>



**Note:**

1. All linear dimensions are in millimeters (max/min).
2. Untoleranced dimensions (shown with box surround) are nominal target dimensions.
3. The external paddle is electrically connected to the die back-side and possibly to certain VSS leads. This paddle can be soldered to the PC board; it is suggested to connect this paddle to the VSS of the unit. Connection of this paddle to any other voltage potential can result in shorts and/or electrical malfunction of the device.

**7.0 REVISION HISTORY****TABLE 7-1: REVISION HISTORY**

<b>Revision</b>	<b>Description</b>	<b>Date</b>
00	<ul style="list-style-type: none"><li>Initial release of data sheet</li></ul>	Apr. 2005
01	<ul style="list-style-type: none"><li>Corrected Section 4.4.15 “JEDEC Read D” including timing diagram</li><li>Corrected <math>V_{HT}</math> and <math>V_{LT}</math> values in Figure 5-5</li></ul>	Sept. 2005
02	<ul style="list-style-type: none"><li>Migrated document to a Data Sheet</li><li>Updated Surface Mount Solder Reflow Temperature information</li></ul>	Jan. 2006
03	<ul style="list-style-type: none"><li>Edited Clock Frequency speed from 50 MHz to 80 MHz in Features</li><li>Revised Table 5 for 80 MHz</li><li>Edited High Speed Read for 80 MHz</li><li>Edited Table 8</li><li>Added 80 MHz columns to Table 12</li><li>Updated Product Ordering Information and Valid Combination</li></ul>	Sept. 2008
04	<ul style="list-style-type: none"><li>Updated “Auto Address Increment (AAI) Word Program”, “End-of-Write Detection”, and “Hardware End-of-Write Detection”</li><li>Revised Figure 4-8 and Figure 4-9</li><li>Updated document to new format</li></ul>	Jan. 2011
A	<ul style="list-style-type: none"><li>Added “Power-Up Specifications” section</li><li>Updated Table 5-6</li><li>Released document under letter revision system</li><li>Updated Spec number from S71271 to DS25044</li></ul>	Aug. 2011
B	<ul style="list-style-type: none"><li>Updated document to new corporate format</li><li>EOL of all 75 MHz parts. Replacement parts are the 50 MHz parts found in this data sheet.</li></ul>	Jan. 2015
C	<ul style="list-style-type: none"><li>Fixed an error in “Product Identification System” section.</li></ul>	July 2015
D	<ul style="list-style-type: none"><li>Updated “Product Identification System” section; removed QAE and SAE options.</li></ul>	Oct. 2023

## THE MICROCHIP WEBSITE

Microchip provides online support via our website at <https://www.microchip.com>. This website is used to make files and information easily available to customers. Some of the available content includes:

- **Product Support** – Data sheets and errata, application notes and sample programs, design resources, user's guides and hardware support documents, the latest software releases and archived software
- **General Technical Support** – Frequently Asked Questions (FAQs), technical support requests, online discussion groups and a Microchip design partner program member listing
- **Business of Microchip** – Product selector and ordering guides, the latest Microchip press releases, a listing of seminars and events, listings of Microchip sales offices, distributors and factory representatives

## PRODUCT CHANGE NOTIFICATION SERVICE

Microchip's product change notification service helps keep customers current on Microchip products. Subscribers will receive email notifications whenever there are changes, updates, revisions or errata related to a specified product family or development tool of interest.

To register, go to <https://www.microchip.com/pcn> and follow the registration instructions.

## CUSTOMER SUPPORT

Users of Microchip products can receive assistance through several channels:

- Distributor or Representative
- Local Sales Office
- Embedded Solutions Engineer (ESE)
- Technical Support

Customers should contact their distributor, representative or ESE for support. Local sales offices are also available to help customers. A listing of sales offices and locations is included in this document.

**Technical support is available through the website at:** <https://www.microchip.com/support>

## PRODUCT IDENTIFICATION SYSTEM

To order or obtain information, e.g., on pricing or delivery, refer to the factory or the listed sales office.

PART NO.		-	XX	-	XX	-	XX	-	X
Device	Operating Frequency		Minimum Endurance	Temp Range	Package		Tape/Reel Indicator		
Device:	SST25VF016B	=	16-Mbit, 2.7V-3.6V, SPI Flash Memory						
Operating Frequency:	50	=	50 MHz						
Minimum Endurance	4	=	10,000 cycles						
Temperature:	I C	=	-40°C to +85°C 0°C to +70°C						
Package:	QAF <sup>(1)</sup> S2AF <sup>(1)</sup>	=	WSON (6 mm x 5 mm Body), 8-lead SOIC (200 mil Body), 8-lead						
Tape and Reel Flag:	T	=	Tape and Reel						
<b>Note 1:</b>	Suffix F = Nickel plating with Gold top (outer) layer finish or Matte Tin finish								

**Valid Combinations:**

SST25VF016B-50-4C-S2AF  
 SST25VF016B-50-4C-S2AF-T  
 SST25VF016B-50-4I-S2AF  
 SST25VF016B-50-4I-S2AF-T

SST25VF016B-50-4C-QAF  
 SST25VF016B-50-4C-QAF-T  
 SST25VF016B-50-4I-QAF  
 SST25VF016B-50-4I-QAF-T

---

---

**Note the following details of the code protection feature on Microchip products:**

- Microchip products meet the specifications contained in their particular Microchip Data Sheet.
- Microchip believes that its family of products is secure when used in the intended manner, within operating specifications, and under normal conditions.
- Microchip values and aggressively protects its intellectual property rights. Attempts to breach the code protection features of Microchip product is strictly prohibited and may violate the Digital Millennium Copyright Act.
- Neither Microchip nor any other semiconductor manufacturer can guarantee the security of its code. Code protection does not mean that we are guaranteeing the product is "unbreakable" Code protection is constantly evolving. Microchip is committed to continuously improving the code protection features of our products.

---

This publication and the information herein may be used only with Microchip products, including to design, test, and integrate Microchip products with your application. Use of this information in any other manner violates these terms. Information regarding device applications is provided only for your convenience and may be superseded by updates. It is your responsibility to ensure that your application meets with your specifications. Contact your local Microchip sales office for additional support or, obtain additional support at <https://www.microchip.com/en-us/support/design-help/client-support-services>.

THIS INFORMATION IS PROVIDED BY MICROCHIP "AS IS". MICROCHIP MAKES NO REPRESENTATIONS OR WARRANTIES OF ANY KIND WHETHER EXPRESS OR IMPLIED, WRITTEN OR ORAL, STATUTORY OR OTHERWISE, RELATED TO THE INFORMATION INCLUDING BUT NOT LIMITED TO ANY IMPLIED WARRANTIES OF NON-INFRINGEMENT, MERCHANTABILITY, AND FITNESS FOR A PARTICULAR PURPOSE, OR WARRANTIES RELATED TO ITS CONDITION, QUALITY, OR PERFORMANCE.

IN NO EVENT WILL MICROCHIP BE LIABLE FOR ANY INDIRECT, SPECIAL, PUNITIVE, INCIDENTAL, OR CONSEQUENTIAL LOSS, DAMAGE, COST, OR EXPENSE OF ANY KIND WHATSOEVER RELATED TO THE INFORMATION OR ITS USE, HOWEVER CAUSED, EVEN IF MICROCHIP HAS BEEN ADVISED OF THE POSSIBILITY OR THE DAMAGES ARE FORESEEABLE. TO THE FULLEST EXTENT ALLOWED BY LAW, MICROCHIP'S TOTAL LIABILITY ON ALL CLAIMS IN ANY WAY RELATED TO THE INFORMATION OR ITS USE WILL NOT EXCEED THE AMOUNT OF FEES, IF ANY, THAT YOU HAVE PAID DIRECTLY TO MICROCHIP FOR THE INFORMATION.

Use of Microchip devices in life support and/or safety applications is entirely at the buyer's risk, and the buyer agrees to defend, indemnify and hold harmless Microchip from any and all damages, claims, suits, or expenses resulting from such use. No licenses are conveyed, implicitly or otherwise, under any Microchip intellectual property rights unless otherwise stated.

AMBA, Arm, Arm7, Arm7TDMI, Arm9, Arm11, Artisan, big.LITTLE, Cordio, CoreLink, CoreSight, Cortex, DesignStart, DynamIQ, Jazelle, Keil, Mali, Mbed, Mbed Enabled, NEON, POP, RealView, SecurCore, Socrates, Thumb, TrustZone, ULINK, ULINK2, ULINK-ME, ULINK-PLUS, ULINKpro, µVision, Versatile are trademarks or registered trademarks of Arm Limited (or its subsidiaries) in the US and/or elsewhere.

For information regarding Microchip's Quality Management Systems, please visit [www.microchip.com/quality](http://www.microchip.com/quality).

**Trademarks**

The Microchip name and logo, the Microchip logo, Adaptec, AVR, AVR logo, AVR Freaks, BesTime, BitCloud, CryptoMemory, CryptoRF, dsPIC, flexPWR, HELDO, IGLOO, JukeBlox, KeeLoq, Kleer, LANCheck, LinkMD, maXStylus, maXTouch, MediaLB, megaAVR, Microsemi, Microsemi logo, MOST, MOST logo, MPLAB, OptoLyzer, PIC, picoPower, PICSTART, PIC32 logo, PolarFire, Prochip Designer, QTouch, SAM-BA, SenGenuity, SpyNIC, SST, SST Logo, SuperFlash, Symmetricom, SyncServer, Tachyon, TimeSource, tinyAVR, UNI/O, Vectron, and XMEGA are registered trademarks of Microchip Technology Incorporated in the U.S.A. and other countries.

AgileSwitch, ClockWorks, The Embedded Control Solutions Company, EtherSynch, Flashtec, Hyper Speed Control, HyperLight Load, Libero, motorBench, mTouch, Powermite 3, Precision Edge, ProASIC, ProASIC Plus, ProASIC Plus logo, Quiet-Wire, SmartFusion, SyncWorld, TimeCesium, TimeHub, TimePictra, TimeProvider, and ZL are registered trademarks of Microchip Technology Incorporated in the U.S.A.

Adjacent Key Suppression, AKS, Analog-for-the-Digital Age, Any Capacitor, AnyIn, AnyOut, Augmented Switching, BlueSky, BodyCom, Clockstudio, CodeGuard, CryptoAuthentication, CryptoAutomotive, CryptoCompanion, CryptoController, dsPICDEM, dsPICDEM.net, Dynamic Average Matching, DAM, ECAN, Espresso T1S, EtherGREEN, EyeOpen, GridTime, IdealBridge, IGA, In-Circuit Serial Programming, ICSP, INICnet, Intelligent Paralleling, IntelliMOS, Inter-Chip Connectivity, JitterBlocker, Knob-on-Display, MarginLink, maxCrypto, maxView, memBrain, Mindi, MiWi, MPASM, MPF, MPLAB Certified logo, MPLIB, MPLINK, mSIC, MultiTRAK, NetDetach, Omniscient Code Generation, PICDEM, PICDEM.net, PICkit, PICtail, Power MOS IV, Power MOS 7, PowerSmart, PureSilicon, QMatrix, REAL ICE, Ripple Blocker, RTAX, RTG4, SAM-ICE, Serial Quad I/O, simpleMAP, SimpliPHY, SmartBuffer, SmartHLS, SMART-I.S., storClad, SQL, SuperSwitcher, SuperSwitcher II, Switchtec, SynchroPHY, Total Endurance, Trusted Time, TSHARC, Turing, USBCheck, VariSense, VectorBlox, VeriPHY, ViewSpan, WiperLock, XpressConnect, and ZENA are trademarks of Microchip Technology Incorporated in the U.S.A. and other countries.

SQTP is a service mark of Microchip Technology Incorporated in the U.S.A.

The Adaptec logo, Frequency on Demand, Silicon Storage Technology, and Symmcom are registered trademarks of Microchip Technology Inc. in other countries.

GestIC is a registered trademark of Microchip Technology Germany II GmbH & Co. KG, a subsidiary of Microchip Technology Inc., in other countries.

All other trademarks mentioned herein are property of their respective companies.

© 2011-2023, Microchip Technology Incorporated and its subsidiaries.

All Rights Reserved.

ISBN: 978-1-6683-3159-0





# MICROCHIP

## Worldwide Sales and Service

### AMERICAS

**Corporate Office**  
2355 West Chandler Blvd.  
Chandler, AZ 85224-6199  
Tel: 480-792-7200  
Fax: 480-792-7277  
Technical Support:  
<http://www.microchip.com/support>  
Web Address:  
[www.microchip.com](http://www.microchip.com)

#### Atlanta

Duluth, GA  
Tel: 678-957-9614  
Fax: 678-957-1455

#### Austin, TX

Tel: 512-257-3370

#### Boston

Westborough, MA  
Tel: 774-760-0087  
Fax: 774-760-0088

#### Chicago

Itasca, IL  
Tel: 630-285-0071  
Fax: 630-285-0075

#### Dallas

Addison, TX  
Tel: 972-818-7423  
Fax: 972-818-2924

#### Detroit

Novi, MI  
Tel: 248-848-4000

#### Houston, TX

Tel: 281-894-5983

#### Indianapolis

Noblesville, IN  
Tel: 317-773-8323  
Fax: 317-773-5453  
Tel: 317-536-2380

#### Los Angeles

Mission Viejo, CA  
Tel: 949-462-9523  
Fax: 949-462-9608  
Tel: 951-273-7800

#### Raleigh, NC

Tel: 919-844-7510

#### New York, NY

Tel: 631-435-6000

#### San Jose, CA

Tel: 408-735-9110  
Tel: 408-436-4270

#### Canada - Toronto

Tel: 905-695-1980  
Fax: 905-695-2078

### ASIA/PACIFIC

**Australia - Sydney**  
Tel: 61-2-9868-6733

**China - Beijing**  
Tel: 86-10-8569-7000

**China - Chengdu**  
Tel: 86-28-8665-5511

**China - Chongqing**  
Tel: 86-23-8980-9588

**China - Dongguan**  
Tel: 86-769-8702-9880

**China - Guangzhou**  
Tel: 86-20-8755-8029

**China - Hangzhou**  
Tel: 86-571-8792-8115

**China - Hong Kong SAR**  
Tel: 852-2943-5100

**China - Nanjing**  
Tel: 86-25-8473-2460

**China - Qingdao**  
Tel: 86-532-8502-7355

**China - Shanghai**  
Tel: 86-21-3326-8000

**China - Shenyang**  
Tel: 86-24-2334-2829

**China - Shenzhen**  
Tel: 86-755-8864-2200

**China - Suzhou**  
Tel: 86-186-6233-1526

**China - Wuhan**  
Tel: 86-27-5980-5300

**China - Xian**  
Tel: 86-29-8833-7252

**China - Xiamen**  
Tel: 86-592-2388138

**China - Zhuhai**  
Tel: 86-756-3210040

### ASIA/PACIFIC

**India - Bangalore**  
Tel: 91-80-3090-4444

**India - New Delhi**  
Tel: 91-11-4160-8631

**India - Pune**  
Tel: 91-20-4121-0141

**Japan - Osaka**  
Tel: 81-6-6152-7160

**Japan - Tokyo**  
Tel: 81-3-6880-3770

**Korea - Daegu**  
Tel: 82-53-744-4301

**Korea - Seoul**  
Tel: 82-2-554-7200

**Malaysia - Kuala Lumpur**  
Tel: 60-3-7651-7906

**Malaysia - Penang**  
Tel: 60-4-227-8870

**Philippines - Manila**  
Tel: 63-2-634-9065

**Singapore**  
Tel: 65-6334-8870

**Taiwan - Hsin Chu**  
Tel: 886-3-577-8366

**Taiwan - Kaohsiung**  
Tel: 886-7-213-7830

**Taiwan - Taipei**  
Tel: 886-2-2508-8600

**Thailand - Bangkok**  
Tel: 66-2-694-1351

**Vietnam - Ho Chi Minh**  
Tel: 84-28-5448-2100

### EUROPE

**Austria - Wels**  
Tel: 43-7242-2244-39  
Fax: 43-7242-2244-393

**Denmark - Copenhagen**  
Tel: 45-4485-5910  
Fax: 45-4485-2829

**Finland - Espoo**  
Tel: 358-9-4520-820

**France - Paris**  
Tel: 33-1-69-53-63-20  
Fax: 33-1-69-30-90-79

**Germany - Garching**  
Tel: 49-8931-9700

**Germany - Haan**  
Tel: 49-2129-3766400

**Germany - Heilbronn**  
Tel: 49-7131-72400

**Germany - Karlsruhe**  
Tel: 49-721-625370

**Germany - Munich**  
Tel: 49-89-627-144-0  
Fax: 49-89-627-144-44

**Germany - Rosenheim**  
Tel: 49-8031-354-560

**Israel - Ra'anana**  
Tel: 972-9-744-7705

**Italy - Milan**  
Tel: 39-0331-742611  
Fax: 39-0331-466781

**Italy - Padova**  
Tel: 39-049-7625286

**Netherlands - Drunen**  
Tel: 31-416-690399  
Fax: 31-416-690340

**Norway - Trondheim**  
Tel: 47-7288-4388

**Poland - Warsaw**  
Tel: 48-22-3325737

**Romania - Bucharest**  
Tel: 40-21-407-87-50

**Spain - Madrid**  
Tel: 34-91-708-08-90  
Fax: 34-91-708-08-91

**Sweden - Gothenberg**  
Tel: 46-31-704-60-40

**Sweden - Stockholm**  
Tel: 46-8-5090-4654

**UK - Wokingham**  
Tel: 44-118-921-5800  
Fax: 44-118-921-5820