

Mechanical specifications:

Material: PA GF - black
Seal: premounted with each element

Terminal: Screwless CAGE CLAMP®-
technology up to 2,5mm² max.,
AWG 18 to AWG 14

Order-No.:

640 810 00 Terminal element (cage) for
tube mounting with cap
640 800 00 Terminal element (cage) for
base and bracket mounting
with cap and seal

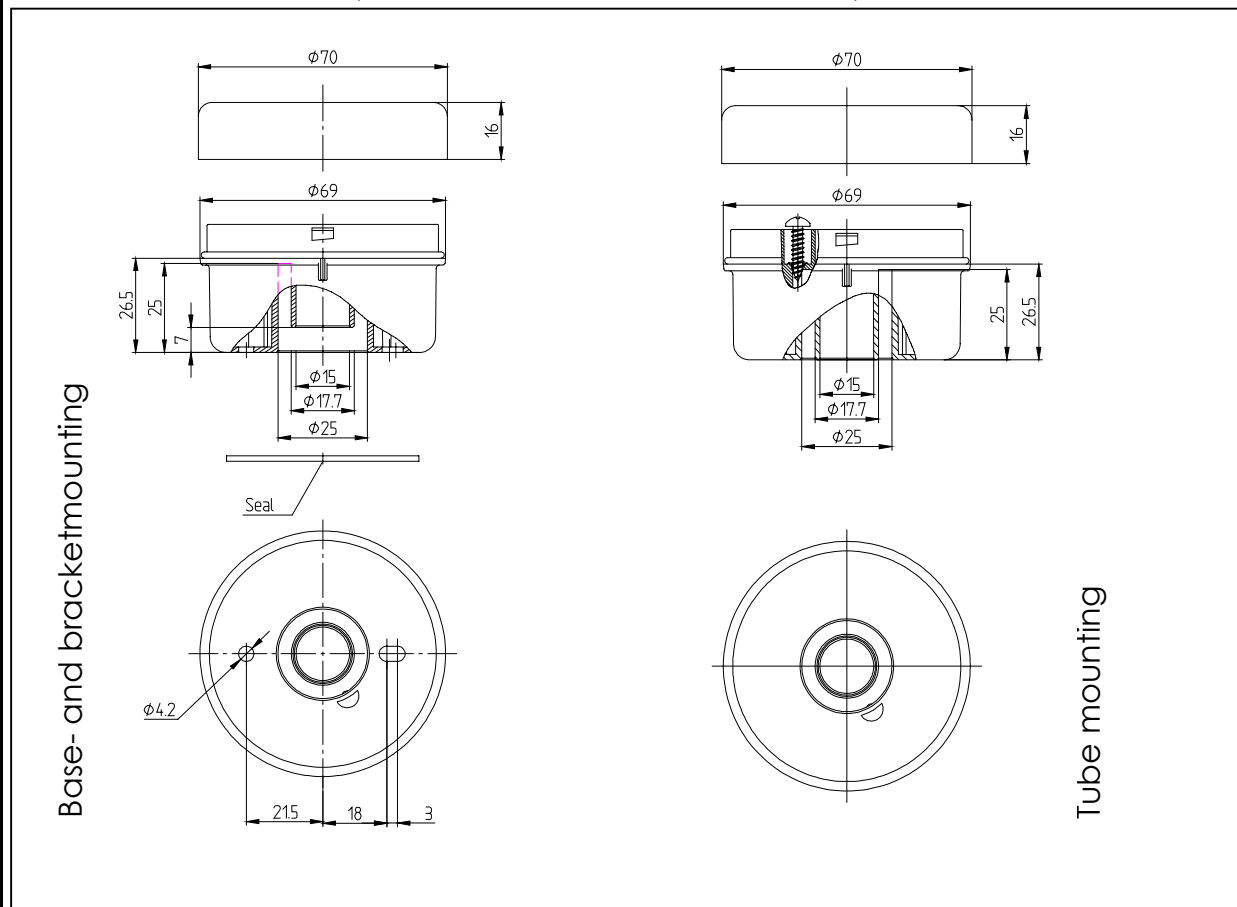
Further specifications:

Protection rating: IP 65 when mounted
Mass:
640.810.00 Terminal element for tube
mounting
with cap
ca. 77g
640.800.00 Terminal element for base and
bracket mounting with cap and
seal
ca. 75g

Regulations: Conform to current
EC-regulations.
UL-listed.

CAGE CLAMP® is a registered trade mark of
WAGO Kontakttechnik GmbH

All specifications refer to Unenn and room temperature!



	Drawn up	proved	released	Data-sheet-No.
Name	E. Rudischhauser	S. Neumann	H. Elsäßer	000 640 503
Date	2001-10-30	2001-11-06	2001-11-09	Page 1 of 1