



P3596

LINEAR INTEGRATED CIRCUIT

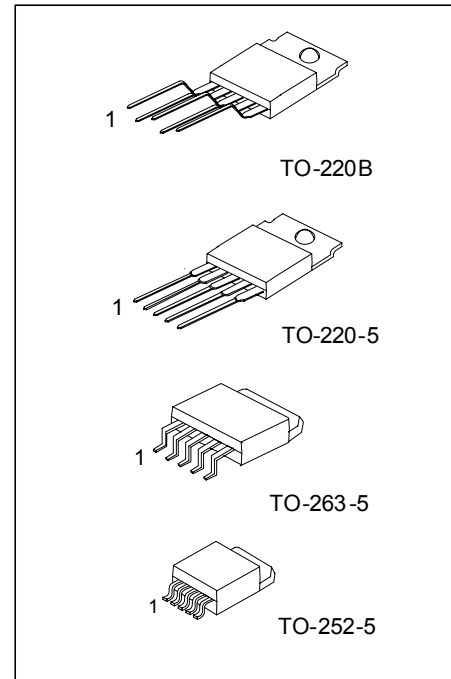
150KHZ, 3A PWM STEP-DOWN DC/DC CONVERTER

DESCRIPTION

The UTC **P3596** series is a step-down switching regulator able to provide **3A** output current. The available output voltages are **1.5V, 2.5V, 3.3V, 5V, 12V, and an adjustable** output version.

FEATURES

- *Output load current: **3A**
- *Adjustable version output voltage range, 1.23V ~ 37V±4%
- *Operating voltage can be up to **40V** ($V_{IN} > 40V$)
- *Low power standby mode
- *High efficiency
- *Internal current and thermal limit



*Pb-free plating product number:P3596L

ORDERING INFORMATION

Order Number		Package	Packing
Normal	Lead Free Plating		
P3596-xx-TA5-T	P3596L-xx-TA5-T	TO-220-5	Tube
P3596-xx-TB5-T	P3596L-xx-TB5-T	TO-220B	Tube
P3596-xx-TN5-R	P3596L-xx-TN5-R	TO-252-5	Tape Reel
P3596-xx-TN5-T	P3596L-xx-TN5-T	TO-252-5	Tube
P3596-xx-TQ5-R	P3596L-xx-TQ5-R	TO-263-5	Tape Reel
P3596-xx-TQ5-T	P3596L-xx-TQ5-T	TO-263-5	Tube

Note: xx: Output Voltage, refer to Marking Information.

<p>P3596L-xx-TA5-T</p>	<p>(1) R: Tape Reel, T: Tube (2) TA5: TO-220-5, TB5: TO-220B, TN5: TO-252-5, TQ5: TO-263-5 (3) xx: refer to Marking Information (4) L: Lead Free Plating, Blank: Pb/Sn</p>
------------------------	---

■ PIN DESCRIPTION

PIN NO.	PIN NAME	DESCRIPTION
1	V _{IN}	Operating voltage input
2	Output	Switching output
3	GND	Circuit Ground
4	FB (Feedback)	Output voltage feedback control
5	SD (Shutdown)	ON/OFF shutdown

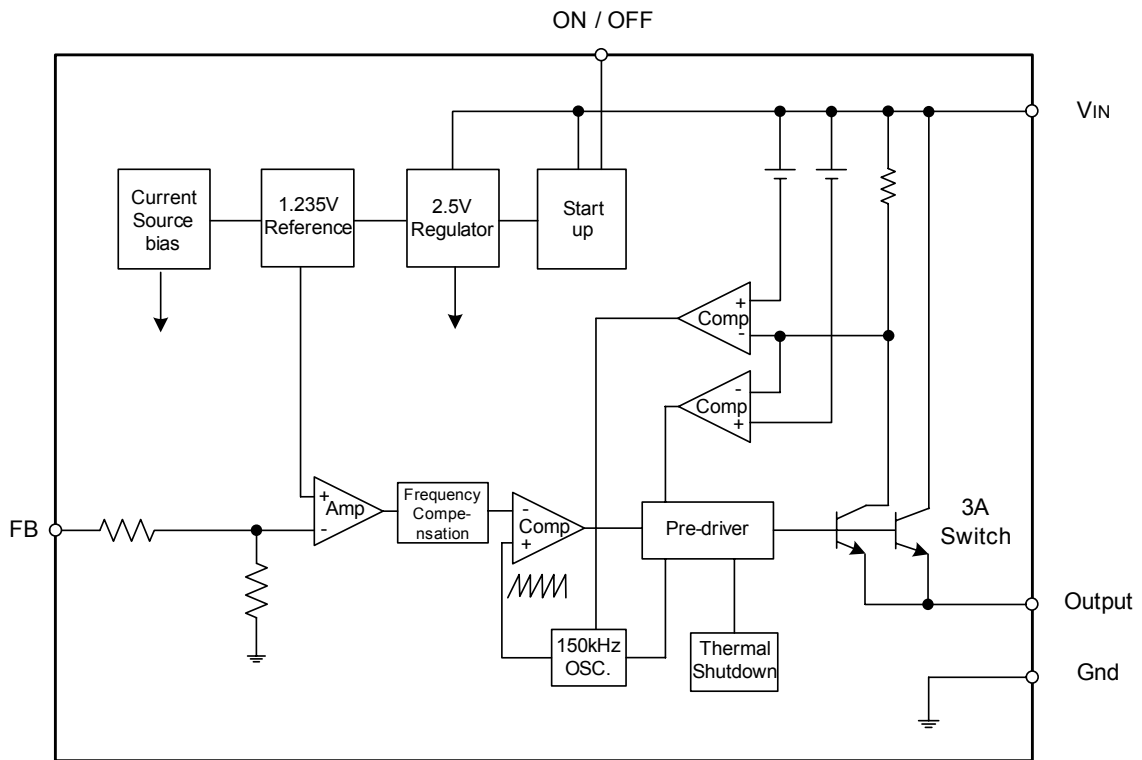
■ MARKING INFORMATION

PACKAGE	VOLTAGE CODE	MARKING
TO-220-5 TO-220B TO-252-5 TO-263-5	15:1.5V 25:2.5V 33:3.3V 50:5.0V 12:12V AD:ADJ	

■ THERMAL DATA

PARAMETER		SYMBOL	RATINGS	UNIT
Thermal Resistance Junction to Case	TO-220B	θ_{JC}	3	°C/W
	TO-220-5		3	
	TO-263-5		4	
	TO-252-5		8	
Thermal Resistance Junction to Ambient	TO-220B	θ_{JA}	45	°C/W
	TO-220-5		45	
	TO-263-5		55	
	TO-252-5		90	

■ BLOCK DIAGRAM



■ ABSOLUTE MAXIMUM RATINGS

PARAMETER	SYMBOL	RATINGS	UNIT
Maximum Supply Voltage	V_{CC}	45	V
Operating Voltage	V_{OPR}	4.5 ~ 40	V
ON/OFF Pin Input Voltage	$V_{ON/OFF}$	-0.3 ~ +25	V
Feedback Pin Voltage	V_{FB}	-0.3 ~ +25	V
Output Voltage to Ground (Steady State)	V_{OUT}	-1	V
Power Dissipation	P_D	Internally limited	mW
Maximum Junction Temperature	T_J	+150	°C
Temperature Range	T_{OPR}	-40 ~ +125	°C
Storage Temperature Range	T_{STG}	-65 ~ +150	°C

Note: Absolute maximum ratings are those values beyond which the device could be permanently damaged. Absolute maximum ratings are stress ratings only and functional device operation is not implied.

■ ELECTRICAL CHARACTERISTICS

($T_J=25^\circ\text{C}$, $V_{IN}=12\text{V}$ for the 3.3V, 5V, and Adjustable version and $V_{IN}=24\text{V}$ for the 12V version, $I_{LOAD}=500\text{mA}$.)

PARAMETER	SYMBOL	TEST CONDITIONS	MIN	TYP	MAX	UNIT	
Output Voltage	1.5V	V_{OUT}	$2.8\text{V} \leq V_{IN} \leq 40\text{V}$, $0.2\text{A} \leq I_{LOAD} \leq 3\text{A}$	1.44	1.5	1.56	V
	2.5V			2.4	2.5	2.6	V
	3.3V			3.168	3.3	3.432	V
	5.0V			4.8	5.0	5.2	V
	12V			11.52	12.0	12.48	V
Efficiency	1.5V	η	$V_{IN}=12\text{V}$, $I_{LOAD}=3\text{A}$		73		%
	2.5V				73		%
	3.3V				73		%
	5.0V				80		%
	12V				90		%

UTC P3596-ADJ

Feedback Voltage	V_{FB}	$4.5\text{V} \leq V_{IN} \leq 40\text{V}$, $0.2\text{A} \leq I_{LOAD} \leq 3\text{A}$ V_{OUT} programmed for 3V	1.193	1.230	1.267	V
Efficiency	η	$V_{IN}=12\text{V}$, $V_{OUT}=3\text{V}$, $I_{LOAD}=3\text{A}$		73		%

ALL OUTPUT VOLTAGE

Feedback Bias Current	I_{BIAS}	Adjustable Version Only, $V_{FB}=1.3\text{V}$		10	50	nA
Oscillator Frequency	f_{OSC}	(Note 1)	127	150	173	kHz
Saturation Voltage	V_{SAT}	$I_{OUT}=3\text{A}$ (Note 2, 3)		1.16	1.4	V
Duty Cycle	Min	DC	ON (Note 3) OFF (Note 4)	100		%
	Max			0		
Current Limit	I_{LIMIT}	Peak Current (Notes 2, 3)	3.6	4.5	6.9	A
Output Leakage Current	I_{LEAK}	Output=0V (Notes 2, 4)			50	μA
		Output=-1V, $V_{IN}=40\text{V}$		2	30	mA
Quiescent Current	I_Q	(Note 4)		5	10	mA
Standby Quiescent Current	I_{STBY}	ON/OFF pin=5V (OFF), $V_{IN}=40\text{V}$		80	200	μA

ON/OFF CONTROL

ON/OFF Pin Logic Input Threshold Voltage	Low	V_{IH}	Regulator ON	0.6	1.3	V	
	High	V_{IL}	Regulator OFF	2.0			
ON/OFF Pin Input Current		I_H	$V_{LOGIC}=2.5\text{V}$ (Regulator OFF)		5	15	μA
		I_L	$V_{LOGIC}=0.5\text{V}$ (Regulator ON)		0.02	5	μA

Note: 1. The switching frequency is reduced when the second stage current limit is activated.

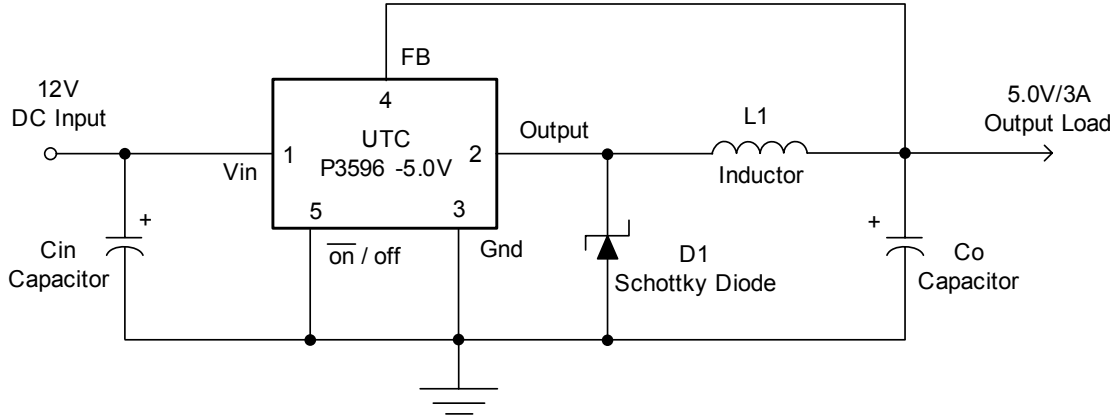
2. No diode, inductor or capacitor connected to output pin.

3. Feedback pin removed from output and connected to 0V to force the output transistor switch ON.

4. Feedback pin removed from output and connected to 15V for the 12V version, and 12V for others to force the output transistor switch OFF.

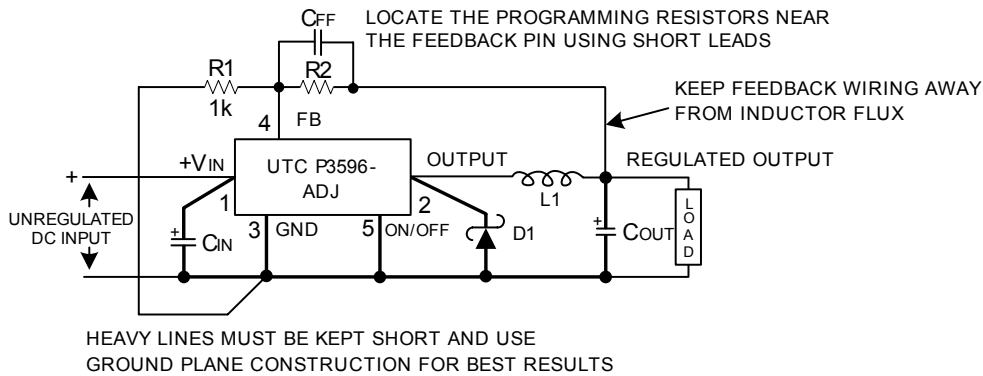
■ TYPICAL APPLICATION

For Fixed Versions



Note: The DC input would be 15V for 12V version.

For Adjustable Version



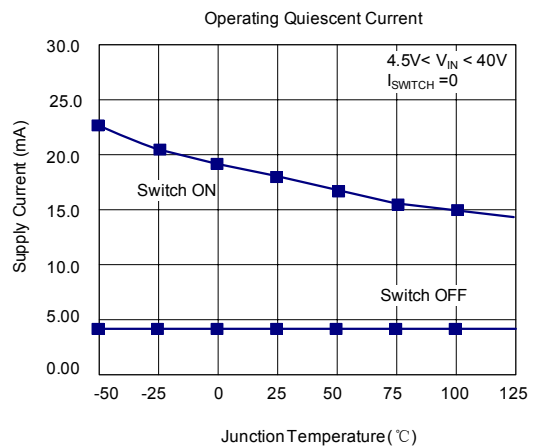
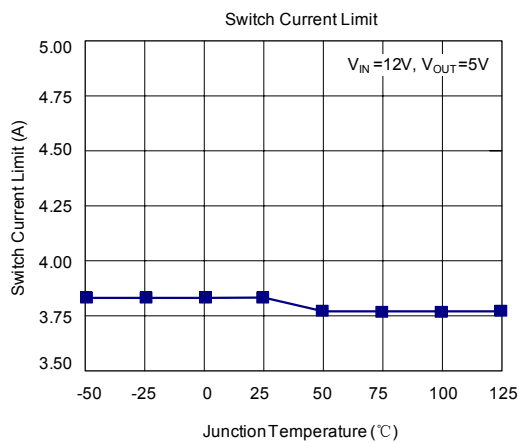
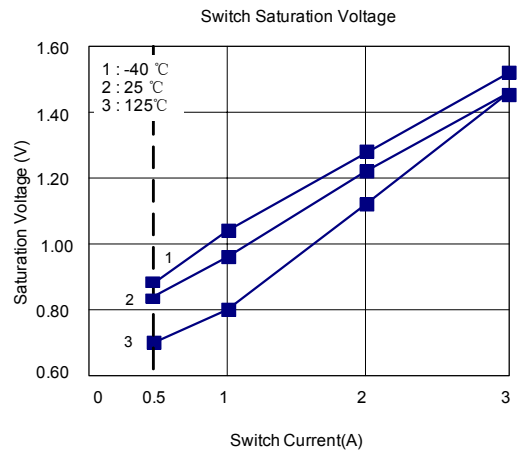
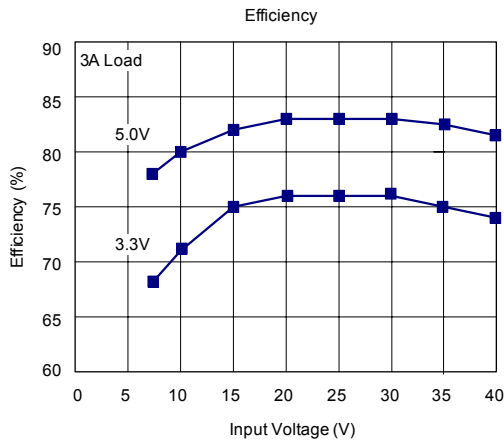
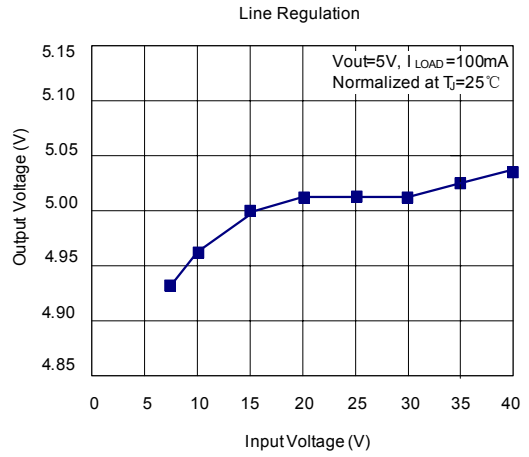
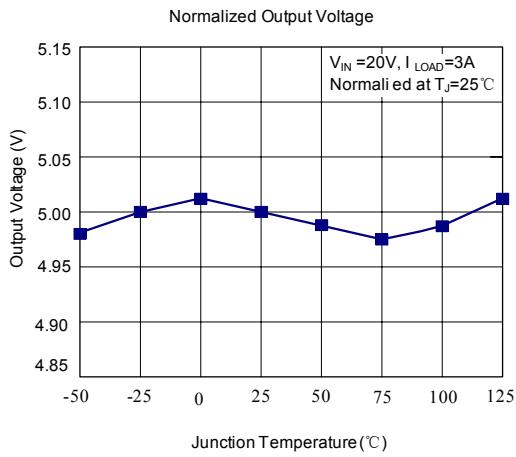
$$V_{OUT} \times \left(\frac{R1}{R1 + R2} \right) = V_{REF}$$

$$V_{OUT} = V_{REF} \left(1 + \frac{R2}{R1} \right)$$

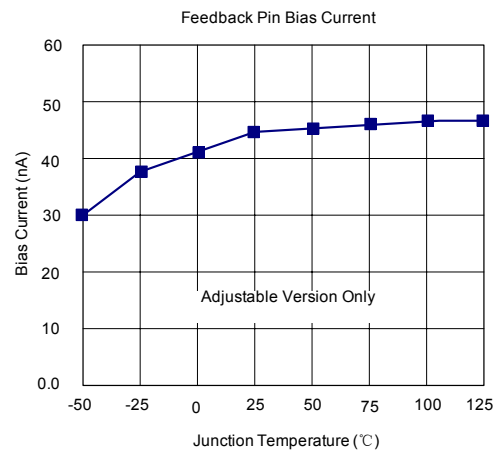
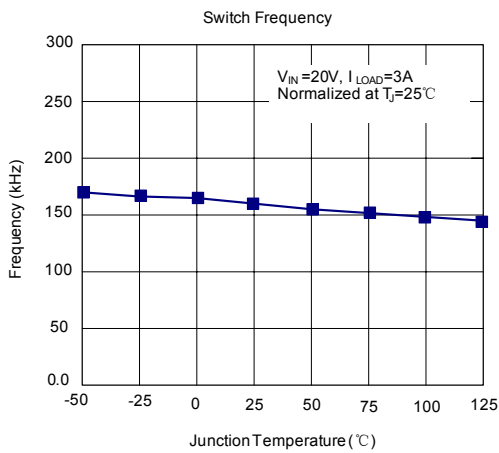
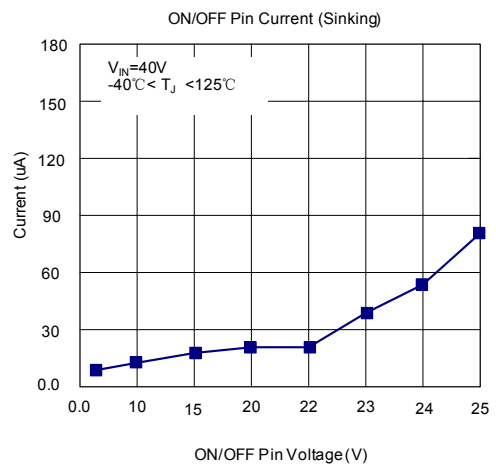
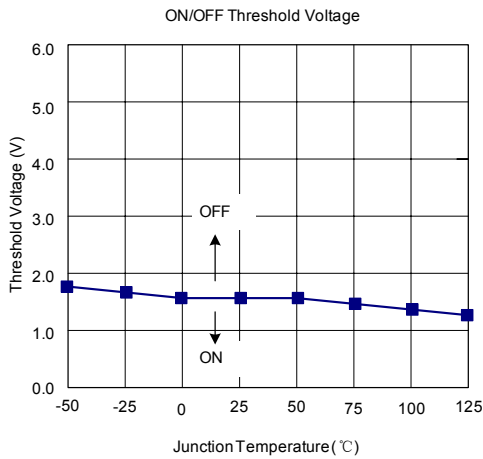
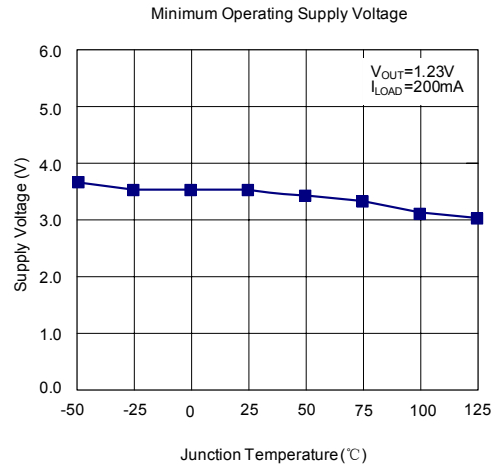
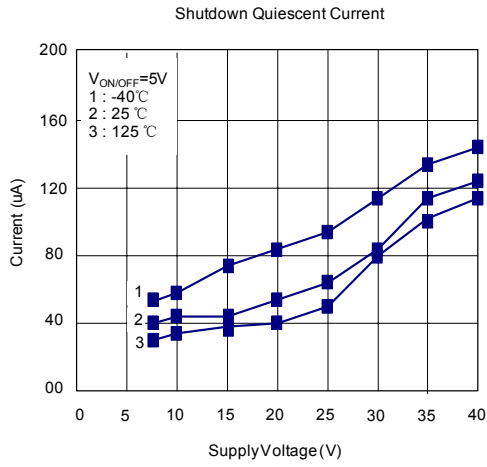
Where $V_{REF} = 1.23V$

$$R2 = R1 \left(\frac{V_{OUT}}{V_{REF}} - 1 \right)$$

TYPICAL CHARACTERISTICS



TYPICAL CHARACTERISTICS (Cont.)



UTC assumes no responsibility for equipment failures that result from using products at values that exceed, even momentarily, rated values (such as maximum ratings, operating condition ranges, or other parameters) listed in products specifications of any and all UTC products described or contained herein. UTC products are not designed for use in life support appliances, devices or systems where malfunction of these products can be reasonably expected to result in personal injury. Reproduction in whole or in part is prohibited without the prior written consent of the copyright owner. The information presented in this document does not form part of any quotation or contract, is believed to be accurate and reliable and may be changed without notice.