



SERIES R1966 SWITCHES

ROCKER SWITCHES - ILLUMINATED



SPECIFICATIONS

Contact Rating:	15A @ 125 VAC 8A @ 250 VAC (UL, CUL)
Life Expectancy (Mechanical):	30,000 cycles
Life Expectancy (Electrical):	10,000 cycles
Contact Resistance:	20 mΩ max., initial @ 2-4 VDC
Insulation Resistance:	> 1,000 MΩ
Dielectric Strength:	> 1,500 volts 1 minute
Operating Temperature:	-30° C to 55° C
Safety Standard Approval:	UL, CUL, VDE

MATERIALS

Body:	Nylon 6/6
Rocker:	Polycarbonate
Terminal:	Silver plated copper alloy
Contact:	Coin silver, silver plated

FEATURES & BENEFITS

- ▶ Variety of termination options
- ▶ Industry standard panel cut out size
- ▶ Different marking options
- ▶ Variety of functions & colors available
- ▶ LED indicator option available

APPLICATIONS/MARKETS

- ▶ Audio/Visual
- ▶ Consumer Electronics
- ▶ Test/instrumentation



HOW TO ORDER

SERIES	CIRCUIT	HOUSING COLOR	ACTUATOR COLOR	MARKING	TERMINATION	LED COLOR
R1966	See Below	BLK = Black WHT = White GRY = Gray	BLK = Black WHT = White GRY = Grey RED = Red ORG = Orange BLU = Blue	A B C D E* F G H I J K L	F = Faston, Quick Connect .187 x .031 G = Quick Connect* .187 x .020 S = Solder Lug P = PC Pin R = Right Angle PC Pin L = Left Angle PC Pin	(R1966 "A" Circuit Only) RED = Red YEL = Yellow GRN = Green BLU = Blue (See Next Page For Description)
CIRCUIT CODE:						
A = SPST On-Off						
C = SPDT On-On						
D = SPDT On-Off-On						
E = SPST On-(Off)						
F = SPST Off-(On)						
G = SPDT On-(On)						
H = SPDT On-Off-(On)						
I = SPDT (On)-Off-(On)						
() = Momentary						



Example Ordering Number
R1966-A-BLK-BLK-E-F-YEL

* Only available in SPST versions

Specifications subject to change without notice.



SERIES R 1966 SWITCHES

ROCKER SWITCHES - ILLUMINATED

TACT SWITCHES

NAVIGATION SWITCHES

PUSHBUTTON SWITCHES

TOGGLE SWITCHES

ROCKER SWITCHES

SLIDE SWITCHES

SNAP-ACTION SWITCHES

DIP SWITCHES

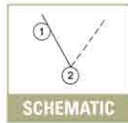
KEYLOCK SWITCHES

ROTARY SWITCHES

DETECTOR SWITCHES

CAP OPTIONS

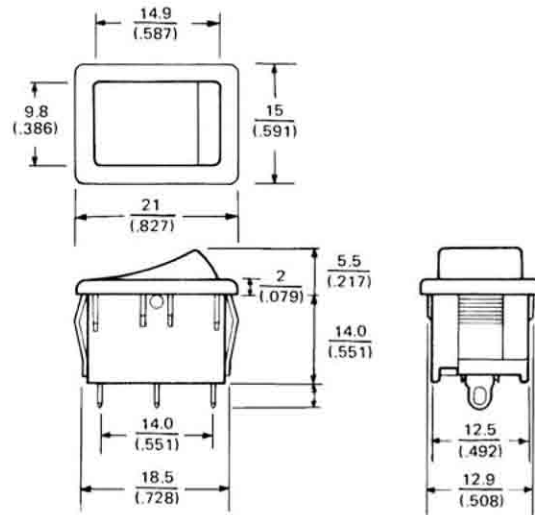
SPST



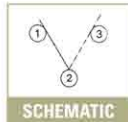
SCHEMATIC

Circuit Code	POS 1	POS 2
A	ON	OFF
E	ON	(OFF)
F	OFF	(ON)
Term. Comm.	2-1	OPEN

() = Momentary



SPDT

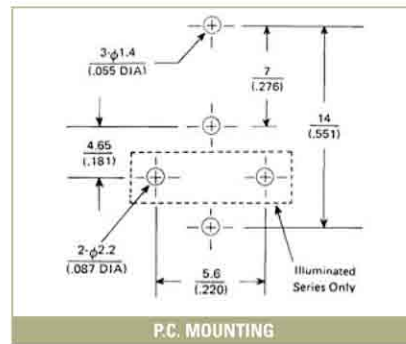
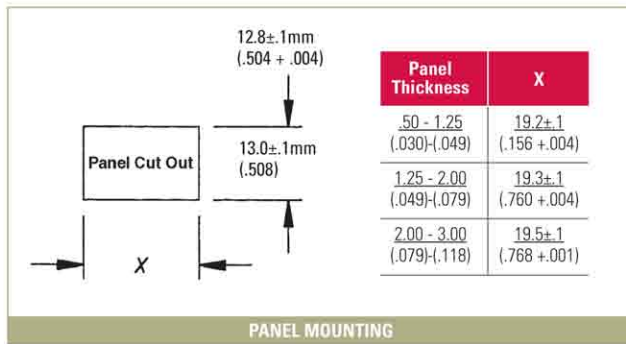


SCHEMATIC

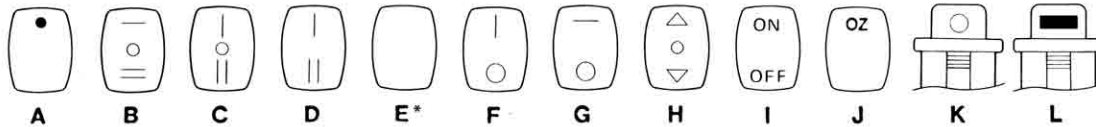
Circuit Code	POS 1	POS 2	POS 3
C	ON	NONE	ON
D	ON	OFF	ON
G	ON	NONE	(ON)
H	ON	OFF	(ON)
I	(ON)	OFF	(ON)
Term. Comm.	2-1	OPEN	2-3

() = Momentary

LED Specifications				
Color	Blue	Red	Green	Yellow
Forward Current (mA)	20mA	20mA	20mA	20mA
Forward Voltage @ 20mA	3.2V	2.0V	2.2V	2.1V
Luminous Intensity @ 20mA	85 mcd	30 mcd	30 mcd	30 mcd



MARKING OPTIONS



* 'E' Marking standard for all LED versions.

TERMINATION OPTIONS

