

**PLEASE CHECK WWW.MOLEX.COM FOR LATEST PART INFORMATION**

**Part Number:** [0513870530](#)  
**Status:** **Active**  
**Overview:** [USB Products and Solutions](#)  
**Description:** Mini USB, B-Receptacle, Right-Angle, Short Body, Surface Mount Solder Tails and Through Hole Shell Tabs, with Cover Tape, Reflow DIP Type, Lead-Free

**Documents:**

[3D Model](#) [Product Specification PS-51387-003-001 \(PDF\)](#)  
[Drawing \(PDF\)](#) [RoHS Certificate of Compliance \(PDF\)](#)

**General**

Product Family	I/O Connectors
Series	<a href="#">51387</a>
Application	Wire-to-Board
Component Type	Receptacle
Overview	<a href="#">USB Products and Solutions</a>
Product Name	USB 2.0, USB OTG (On-The-Go)
Type	Mini-B
UPC	822348520787

**Physical**

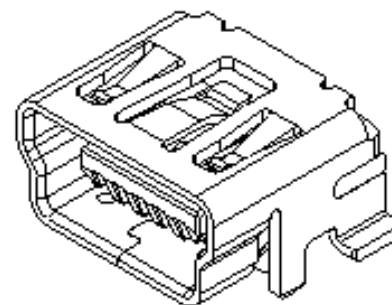
Circuits (Loaded)	5
Circuits (maximum)	5
Color - Resin	Black
Gender	Female
Lock to Mating Part	Yes
Material - Metal	High Performance Alloy (HPA), Phosphor Bronze
Material - Plating Mating	Gold
Material - Plating Termination	Tin
Material - Resin	High Temperature Thermoplastic
Net Weight	0.300/g
Number of Rows	1
Orientation	Right Angle
PCB Locator	Yes
PCB Retention	Yes
Packaging Type	Embossed Tape on Reel
Panel Mount	No
Pitch - Mating Interface	0.80mm
Pitch - Termination Interface	0.80mm
Plating min - Mating	0.762µm
Plating min - Termination	1.016µm
Polarized to Mating Part	Yes
Polarized to PCB	Yes
Ports	1
Surface Mount Compatible (SMC)	Yes
Temperature Range - Operating	0° to +50°C
Termination Interface: Style	Surface Mount

**Electrical**

Current - Maximum per Contact	1.0A
Shield Type	Full Shield
Shielded	Yes
Voltage - Maximum	30V AC (RMS)/DC

**Solder Process Data**

Duration at Max. Process Temperature (seconds)	003
Lead-free Process Capability	REFLOW



*Series image - Reference only*

**EU ELV**

**Not Relevant**

**EU RoHS**

**Compliant**

**REACH SVHC**

Not Contained Per -  
ED/61/2018 (27 June  
2018)

**Halogen-Free**

**Status**

**Low-Halogen**

For more information, please visit [Contact US](#)

China ROHS

ELV

RoHS Phthalates

**China RoHS**

Green Image

Not Relevant

Not Contained

**Search Parts in this Series**

[51387 Series](#)

**Mates With**

[59204-9405](#)

Max. Cycles at Max. Process Temperature	001
Process Temperature max. C	245

**Material Info**

**Reference - Drawing Numbers**

Product Specification	PS-51387-003-001
Sales Drawing	SD-51387-005, SD-51387-006

This document was generated on 10/26/2018

**PLEASE CHECK [WWW.MOLEX.COM](http://WWW.MOLEX.COM) FOR LATEST PART INFORMATION**