

BSCR

Fuse holder



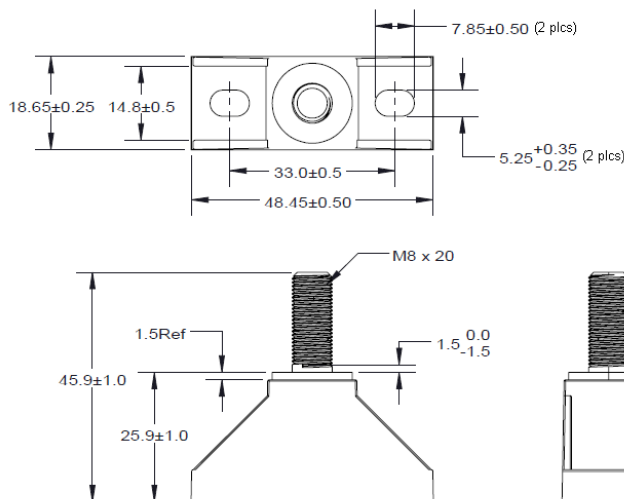
Product features

- 1000 Vac/dc, 500 A rating
- Flammability: UL94 V-0
- Operating temperature: -40 °C to +125 °C

Environmental compliance



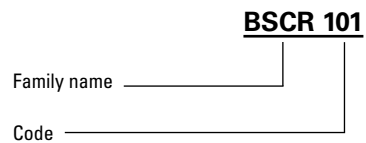
Dimensions- mm



Recommended torque: 12 ±1 N-m

Ordering part number

Example: BSCR101



Packaging

- 18 pcs per inner box
- 108 pcs per outer carton

Life Support Policy: Eaton does not authorize the use of any of its products for use in life support devices or systems without the express written approval of an officer of the Company. Life support systems are devices which support or sustain life, and whose failure to perform, when properly used in accordance with instructions for use provided in the labeling, can be reasonably expected to result in significant injury to the user.

Eaton reserves the right, without notice, to change design or construction of any products and to discontinue or limit distribution of any products. Eaton also reserves the right to change or update, without notice, any technical information contained in this bulletin.

Eaton
Electronics Division
1000 Eaton Boulevard
Cleveland, OH 44122
United States
Eaton.com/electronics

© 2023 Eaton
All Rights Reserved
Printed in USA
Publication No. ELX1229
January 2023

Eaton is a registered trademark.

All other trademarks are property of their respective owners.

Follow us on social media to get the latest product and support information.

