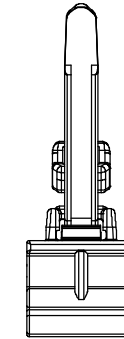
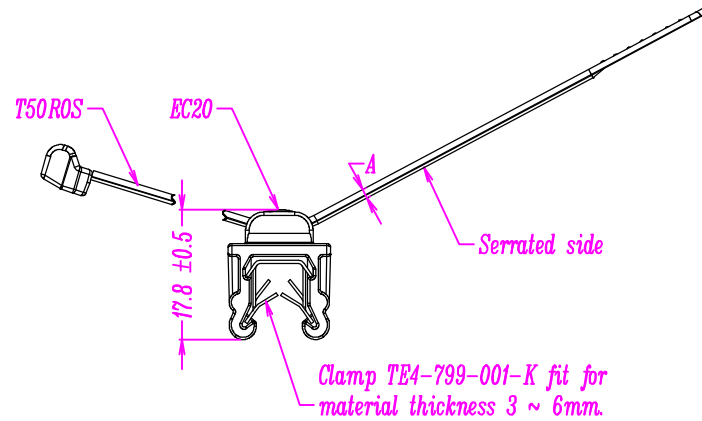
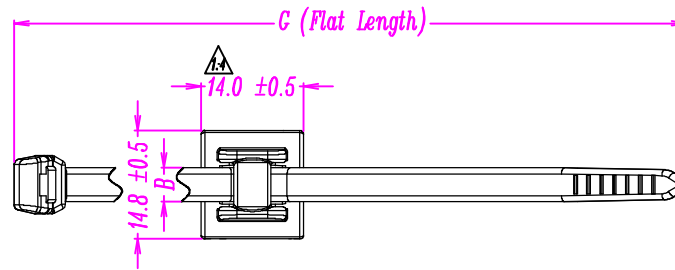


Revision Level		Revision Record	Changed	Date	Approval	Date
Part	Drawing					
	△1	Updated pictogramme and drawing template.	SIMON NG	19-Sep-19	Edward Tan	19-Sep-19
	△1A	Added HT Global project Number.	SIMON NG	19-Sep-19	Edward Tan	19-Sep-19
	△2A	Added cable tie dimensions chart.	SIMON NG	19-Sep-19	Edward Tan	19-Sep-19
	△3A	Remove clamp material spec.	SIMON NG	19-Sep-19	Edward Tan	19-Sep-19
	△4A	Add missing dimension.	SIMON NG	19-Sep-19	Edward Tan	19-Sep-19



△4A	A	B	G
	1.3 ± 0.2	4.6 ± 0.2	200.0 ± 5.0

Material	P.A. 66
Tensile strength	225N (Minimum)
PERFORMANCE SPECIFICATION	

ACAD		Drawn	Mandy Ong	10 Dec 2010	Scale: 1 : 1	Reference: 14.1803
The copyright of this drawing is reserved by HELLERMANN TYTON. It is issued on condition that it is not reproduced, copied or disclosed to a third party, either wholly or in part, without the consent of HELLERMANN TYTON.		Approved.	EDWARD TAN	10 Dec 2010	Title	
		545, Yishun Industrial Park A Yishun Avenue 7 Singapore 768741 Tel: (+65) 6852 8585 Fax: (+65) 6756 6798		T50ROSEC20		Uncontrolled Document
				Drawing-No [SG10020-01]	Format	
				02-0780-006-CSH	A4	Sheet 1 of 1