

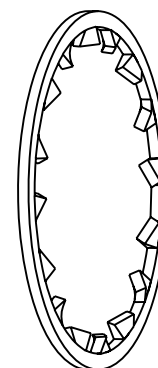
NOTES:

1. MATERIALS AND FINISHES:  
 LOCK WASHER = STAINLESS STEEL, NICKEL PLATING  
 SPANNER NUT = BRASS, NICKEL PLATING
2. PACKAGING:  
 A. QUANTITY: 2 LOCKWASHERS & 2 SPANNER NUTS PER BAG  
 B. MARKING: BAG TO BE MARKED  
 "AMPHENOL, 31-6108, AND DATE CODE"

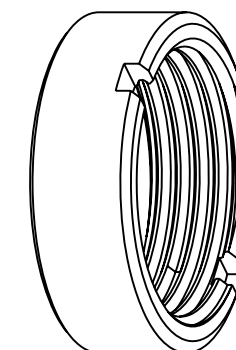
THIRD ANGLE PROJ.

REVISIONS

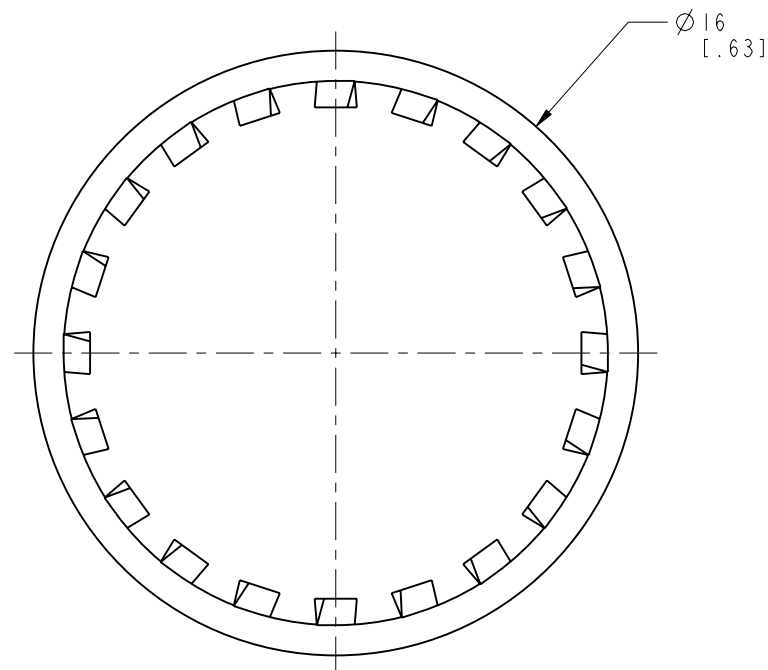
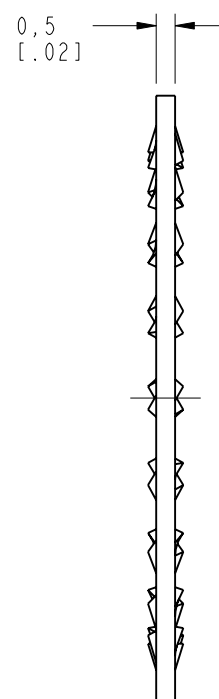
REV	DESCRIPTION	DATE	ECO	APPR
A	RELEASE TO MFG.	6/11/03	44503	CPM
B	NO.2 WAS CHANGED\RD-DA05101801JT	10-13-05'		SH
C	SYNCH THE DRAWING WITH DANBURY\RD-DM11031401R3	26-Mar-11	48488	RM
D	LOCK WASHER WAS CHANGED	14-Nov-11	48832	SH



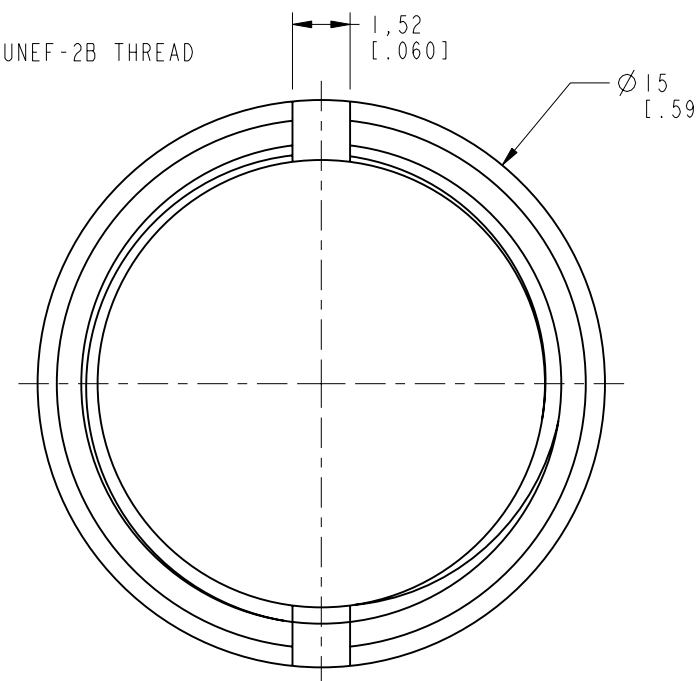
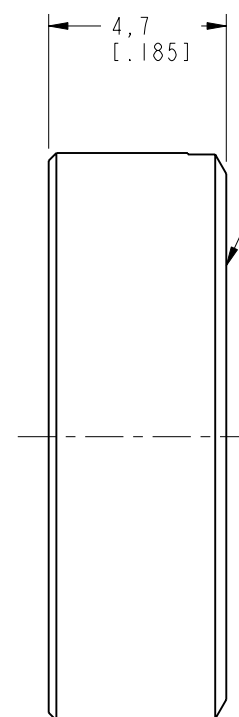
SCALE 3.000



SCALE 3.000



LOCK WASHER X 2 PCS



SPANNER NUT X 2 PCS

**CUSTOMER OUTLINE DRAWING**

ALL OTHER SHEETS ARE FOR INTERNAL USE ONLY

UNLESS OTHERWISE SPECIFIED, DIMENSIONS ARE IN METRIC AND TOLERANCES ARE: <0.5mm ±0.05mm    0.5 - 6mm ±0.1mm    6 - 30mm ±0.2mm    30 - 120mm ±0.3mm    ANGLES ±1°	MATERIAL	DRAWN F. WANG	DATE 14-Nov-11	TITLE LOCK WASHER AND SPANNER NUT	Amphenol RF Danbury CT USA, Tainan, Taiwan, Shenzhen, China www.amphenolrf.com
	REFERENCE GEN# LOCKWASHER	ENGINEER OWEN BARTHELMES	DATE 5/30/03		
	FINISH	APPROVED SCOTT	DATE 26-Mar-11	ITEM NO. 31-6108	
		CAD FILE Root file:/31-6108	SCALE: 5.0:1.0	SHEET 2 OF 2	PART NO. 31-6108