

# IS65C256AL IS62C256AL



## 32K x 8 LOW POWER CMOS STATIC RAM

JULY 2015

### FEATURES

- Access time: 25 ns, 45 ns
- Low active power: 200 mW (typical)
- Low standby power
  - 150  $\mu$ W (typical) CMOS standby
  - 15 mW (typical) operating
- Fully static operation: no clock or refresh required
- TTL compatible inputs and outputs
- Single 5V power supply
- Lead-free available
- Industrial and Automotive temperatures available

### DESCRIPTION

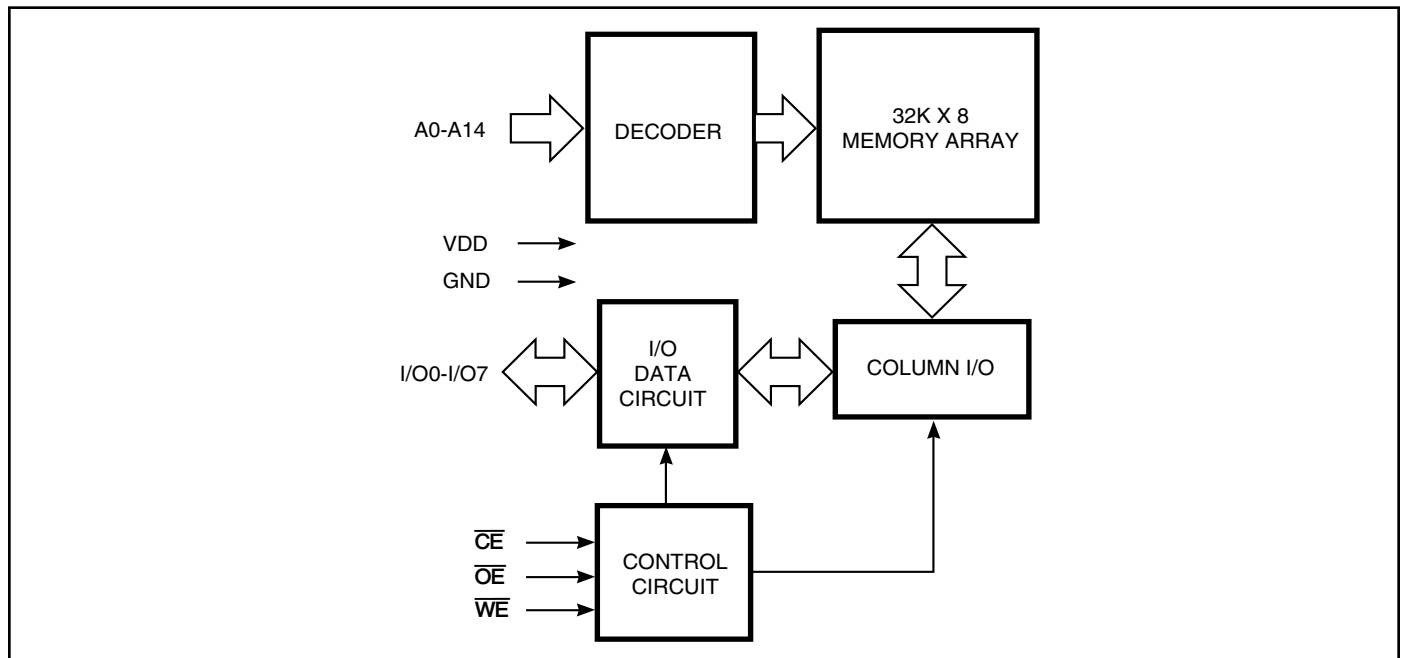
The *ISSI* IS62C256AL/IS65C256AL is a low power, 32,768 word by 8-bit CMOS static RAM. It is fabricated using *ISSI*'s high-performance, low power CMOS technology.

When  $\overline{CE}$  is HIGH (deselected), the device assumes a standby mode at which the power dissipation can be reduced down to 150  $\mu$ W (typical) at CMOS input levels.

Easy memory expansion is provided by using an active LOW Chip Select ( $\overline{CE}$ ) input and an active LOW Output Enable ( $\overline{OE}$ ) input. The active LOW Write Enable ( $\overline{WE}$ ) controls both writing and reading of the memory.

The IS62C256AL/IS65C256AL is pin compatible with other 32Kx8 SRAMs in plastic SOP or TSOP (Type I) package.

### FUNCTIONAL BLOCK DIAGRAM

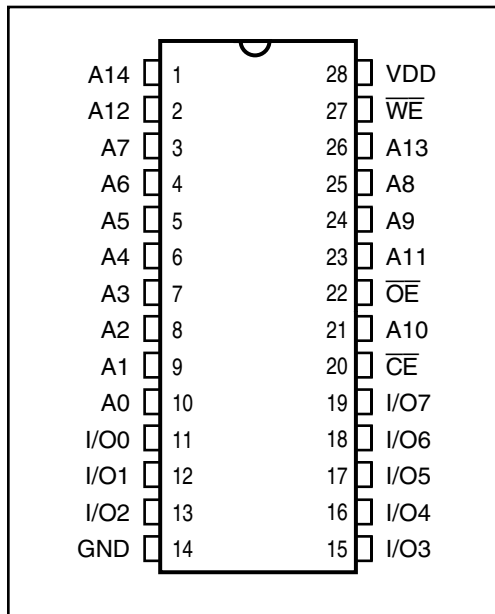


Copyright © 2015 Integrated Silicon Solution, Inc. All rights reserved. ISSI reserves the right to make changes to this specification and its products at any time without notice. ISSI assumes no liability arising out of the application or use of any information, products or services described herein. Customers are advised to obtain the latest version of this device specification before relying on any published information and before placing orders for products.

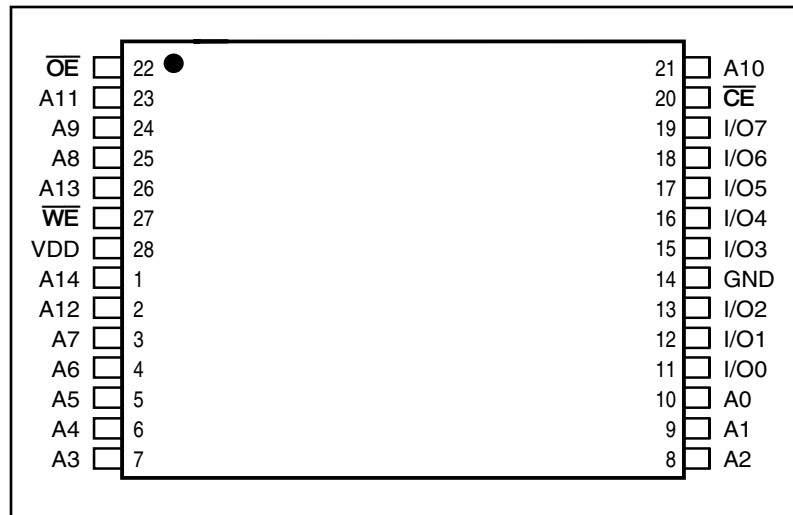
Integrated Silicon Solution, Inc. does not recommend the use of any of its products in life support applications where the failure or malfunction of the product can reasonably be expected to cause failure of the life support system or to significantly affect its safety or effectiveness. Products are not authorized for use in such applications unless Integrated Silicon Solution, Inc. receives written assurance to its satisfaction, that:

- a.) the risk of injury or damage has been minimized;
- b.) the user assume all such risks; and
- c.) potential liability of Integrated Silicon Solution, Inc is adequately protected under the circumstances

**PIN CONFIGURATION**  
**28-Pin SOP**



**PIN CONFIGURATION**  
**28-Pin TSOP**



**PIN DESCRIPTIONS**

|           |                     |
|-----------|---------------------|
| A0-A14    | Address Inputs      |
| CE        | Chip Select Input   |
| OE        | Output Enable Input |
| WE        | Write Enable Input  |
| I/O0-I/O7 | Input/Output        |
| VDD       | Power               |
| GND       | Ground              |

**TRUTH TABLE**

| Mode                         | WE | CE | OE | I/O Operation | VDD Current |
|------------------------------|----|----|----|---------------|-------------|
| Not Selected<br>(Power-down) | X  | H  | X  | High-Z        | ISB1, ISB2  |
| Output Disabled              | H  | L  | H  | High-Z        | Icc1, Icc2  |
| Read                         | H  | L  | L  | DOUT          | Icc1, Icc2  |
| Write                        | L  | L  | X  | DIN           | Icc1, Icc2  |

**ABSOLUTE MAXIMUM RATINGS<sup>(1)</sup>**

| Symbol | Parameter                            | Value        | Unit |
|--------|--------------------------------------|--------------|------|
| VTERM  | Terminal Voltage with Respect to GND | -0.5 to +7.0 | V    |
| TSTG   | Storage Temperature                  | -65 to +150  | °C   |
| PT     | Power Dissipation                    | 0.5          | W    |
| IOUT   | DC Output Current (LOW)              | 20           | mA   |

**Note:**

1. Stress greater than those listed under ABSOLUTE MAXIMUM RATINGS may cause permanent damage to the device. This is a stress rating only and functional operation of the device at these or any other conditions above those indicated in the operational sections of this specification is not implied. Exposure to absolute maximum rating conditions for extended periods may affect reliability.

**OPERATING RANGE**

| Part No.   | Range      | Ambient Temperature | V <sub>DD</sub> |
|------------|------------|---------------------|-----------------|
| IS62C256AL | Commercial | 0°C to +70°C        | 5V ± 10%        |
| IS62C256AL | Industrial | -40°C to +85°C      | 5V ± 10%        |
| IS65C256AL | Automotive | -40°C to +125°C     | 5V ± 10%        |

**DC ELECTRICAL CHARACTERISTICS**

| Symbol          | Parameter                        | Test Conditions  | Min.  | Max.                  | Unit |    |
|-----------------|----------------------------------|--|-------|-----------------------|------|----|
| V <sub>OH</sub> | Output HIGH Voltage              | V <sub>DD</sub> = Min., I <sub>OH</sub> = -1.0 mA              | 2.4   | —                     | V    |    |
| V <sub>OL</sub> | Output LOW Voltage               | V <sub>DD</sub> = Min., I <sub>OL</sub> = 2.1 mA               | —     | 0.4                   | V    |    |
| V <sub>IH</sub> | Input HIGH Voltage               |  | 2.2   | V <sub>DD</sub> + 0.5 | V    |    |
| V <sub>IL</sub> | Input LOW Voltage <sup>(1)</sup> |  | -0.3  | 0.8                   | V    |    |
| I <sub>LI</sub> | Input Leakage                    | GND ≤ V <sub>IN</sub> ≤ V <sub>DD</sub>                        | Com.  | -1                    | 1    | μA |
|                 |                                  |  | Ind.  | -2                    | 2    |    |
|                 |                                  |  | Auto. | -10                   | 10   |    |
| I <sub>LO</sub> | Output Leakage                   | GND ≤ V <sub>OUT</sub> ≤ V <sub>DD</sub> ,<br>Outputs Disabled | Com.  | -1                    | 1    | μA |
|                 |                                  |  | Ind.  | -2                    | 2    |    |
|                 |                                  |  | Auto. | -10                   | 10   |    |

**Note:** 1. V<sub>IL</sub> = -3.0V for pulse width less than 10 ns.

**POWER SUPPLY CHARACTERISTICS<sup>(1)</sup> (Over Operating Range)**

| Symbol           | Parameter  | Test Conditions  |                     | -25 ns |      | -45 ns |      | Unit |
|------------------|--|--|---------------------|--------|------|--------|------|------|
|                  |  |  |                     | Min.   | Max. | Min.   | Max. |      |
| I <sub>CC1</sub> | V <sub>DD</sub> Operating Supply Current         | V <sub>DD</sub> = Max., $\overline{CE}$ = V <sub>IL</sub><br>I <sub>OUT</sub> = 0 mA, f = 0  | Com.                | —      | 15   | —      | 15   | mA   |
|                  |  |  | Ind.                | —      | 20   | —      | 20   |      |
|                  |  |  | Auto.               | —      | 25   | —      | 25   |      |
| I <sub>CC2</sub> | V <sub>DD</sub> Dynamic Operating Supply Current | V <sub>DD</sub> = Max., $\overline{CE}$ = V <sub>IL</sub><br>I <sub>OUT</sub> = 0 mA, f = f <sub>MAX</sub>                                       | Com.                | —      | 25   | —      | 20   | mA   |
|                  |  |  | Ind.                | —      | 30   | —      | 25   |      |
|                  |  |  | Auto.               | —      | 35   | —      | 30   |      |
|                  |  |  | typ. <sup>(2)</sup> | 15     | 12   |        |      |      |
| I <sub>SB1</sub> | TTL Standby Current (TTL Inputs)                 | V <sub>DD</sub> = Max.,<br>V <sub>IN</sub> = V <sub>IH</sub> or V <sub>IL</sub><br>$\overline{CE} \geq V_{IH}$ , f = 0                           | Com.                | —      | 100  | —      | 100  | μA   |
|                  |  |  | Ind.                | —      | 120  | —      | 120  |      |
|                  |  |  | Auto.               | —      | 150  | —      | 150  |      |
| I <sub>SB2</sub> | CMOS Standby Current (CMOS Inputs)               | V <sub>DD</sub> = Max.,<br>$\overline{CE} \geq V_{DD} - 0.2V$ ,<br>V <sub>IN</sub> ≥ V <sub>DD</sub> - 0.2V, or<br>V <sub>IN</sub> ≤ 0.2V, f = 0 | Com.                | —      | 15   | —      | 15   | μA   |
|                  |  |  | Ind.                | —      | 20   | —      | 20   |      |
|                  |  |  | Auto.               | —      | 50   | —      | 50   |      |
|                  |  |  | typ. <sup>(2)</sup> | 5      | 5    |        |      |      |

**Note:**

- At f = f<sub>MAX</sub>, address and data inputs are cycling at the maximum frequency, f = 0 means no input lines change.
- Typical values are measured at V<sub>DD</sub> = 5.0V, T<sub>A</sub> = 25°C and not 100% tested.

**CAPACITANCE<sup>(1,2)</sup>**

| Symbol           | Parameter          | Conditions            | Max. | Unit |
|------------------|--------------------|-----------------------|------|------|
| C <sub>IN</sub>  | Input Capacitance  | V <sub>IN</sub> = 0V  | 8    | pF   |
| C <sub>OUT</sub> | Output Capacitance | V <sub>OUT</sub> = 0V | 10   | pF   |

**Notes:**

- Tested initially and after any design or process changes that may affect these parameters.
- Test conditions: T<sub>A</sub> = 25°C, f = 1 MHz, V<sub>DD</sub> = 5.0V.

**READ CYCLE SWITCHING CHARACTERISTICS<sup>(1)</sup>** (Over Operating Range)

| Symbol                          | Parameter           | -25 ns |      | -45 ns |      | Unit |
|---------------------------------|---------------------|--------|------|--------|------|------|
|                                 |                     | Min.   | Max. | Min.   | Max. |      |
| t <sub>RC</sub>                 | Read Cycle Time     | 25     | —    | 45     | —    | ns   |
| t <sub>AA</sub>                 | Address Access Time | —      | 25   | —      | 45   | ns   |
| t <sub>OHA</sub>                | Output Hold Time    | 2      | —    | 2      | —    | ns   |
| t <sub>ACS</sub>                | CE Access Time      | —      | 25   | —      | 45   | ns   |
| t <sub>DOE</sub>                | OE Access Time      | —      | 13   | —      | 25   | ns   |
| t <sub>LZOE<sup>(2)</sup></sub> | OE to Low-Z Output  | 0      | —    | 0      | —    | ns   |
| t <sub>HZOE<sup>(2)</sup></sub> | OE to High-Z Output | 0      | 12   | 0      | 20   | ns   |
| t <sub>LZCS<sup>(2)</sup></sub> | CE to Low-Z Output  | 3      | —    | 3      | —    | ns   |
| t <sub>HZCS<sup>(2)</sup></sub> | CE to High-Z Output | 0      | 12   | 0      | 20   | ns   |
| t <sub>PU<sup>(3)</sup></sub>   | CE to Power-Up      | 0      | —    | 0      | —    | ns   |
| t <sub>PD<sup>(3)</sup></sub>   | CE to Power-Down    | —      | 20   | —      | 30   | ns   |

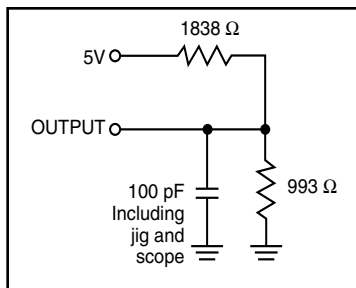
**Notes:**

1. Test conditions assume signal transition times of 5 ns or less, timing reference levels of 1.5V, input pulse levels of 0 to 3.0V and output loading specified in Figure 1.
2. Tested with the load in Figure 2. Transition is measured ±500 mV from steady-state voltage. Not 100% tested.
3. Not 100% tested.

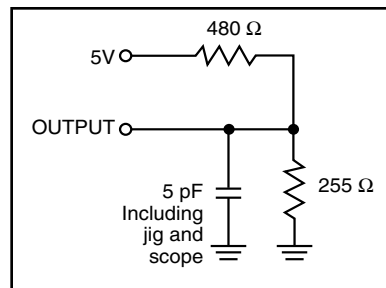
**AC TEST CONDITIONS**

| Parameter                                    | Unit                |
|--|---------------------|
| Input Pulse Level                            | 0V to 3.0V          |
| Input Rise and Fall Times                    | 3 ns                |
| Input and Output Timing and Reference Levels | 1.5V                |
| Output Load                                  | See Figures 1 and 2 |

**AC TEST LOADS**



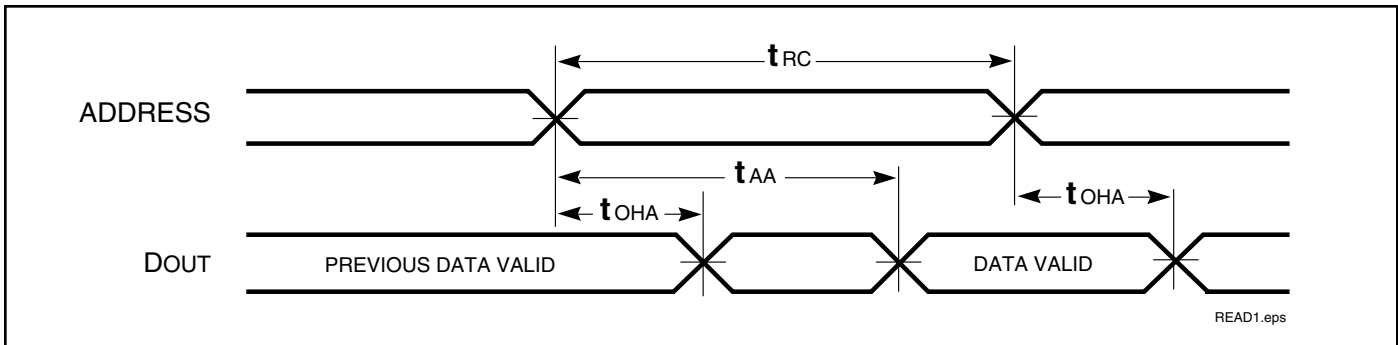
**Figure 1.**



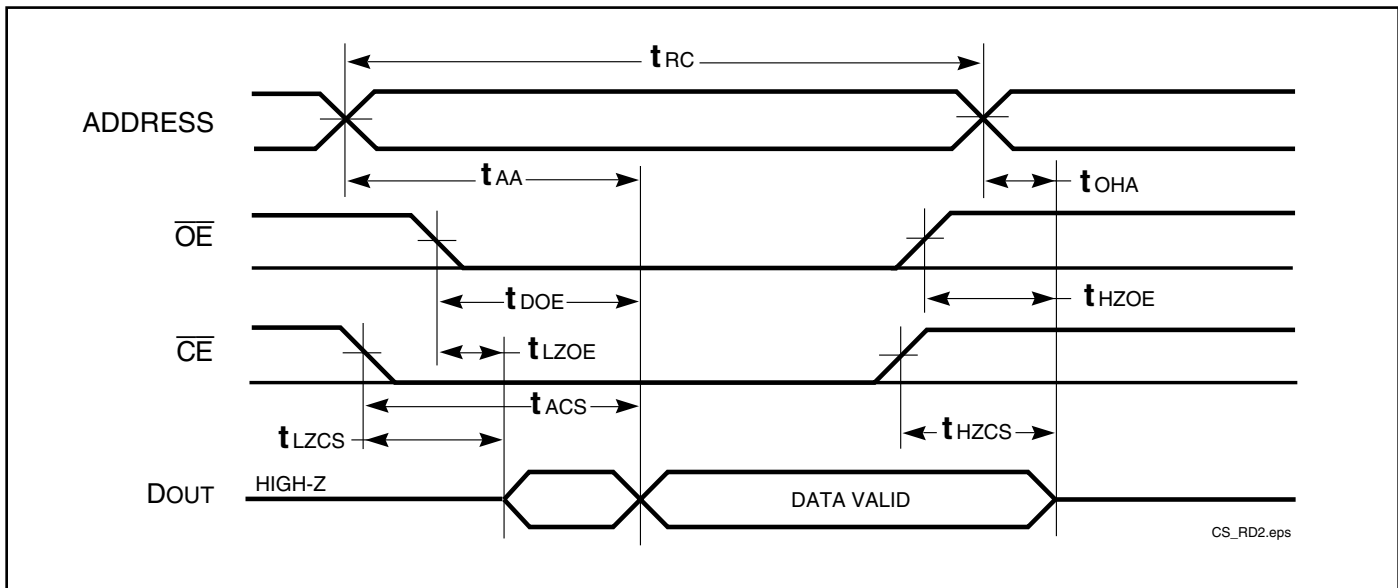
**Figure 2.**

AC WAVEFORMS

READ CYCLE NO. 1<sup>(1,2)</sup>



READ CYCLE NO. 2<sup>(1,3)</sup>



Notes:

1.  $\overline{WE}$  is HIGH for a Read Cycle.
2. The device is continuously selected.  $\overline{OE}$ ,  $\overline{CE}$  =  $V_{IL}$ .
3. Address is valid prior to or coincident with  $\overline{CE}$  LOW transitions.

**WRITE CYCLE SWITCHING CHARACTERISTICS<sup>(1,3)</sup>** (Over Operating Range)

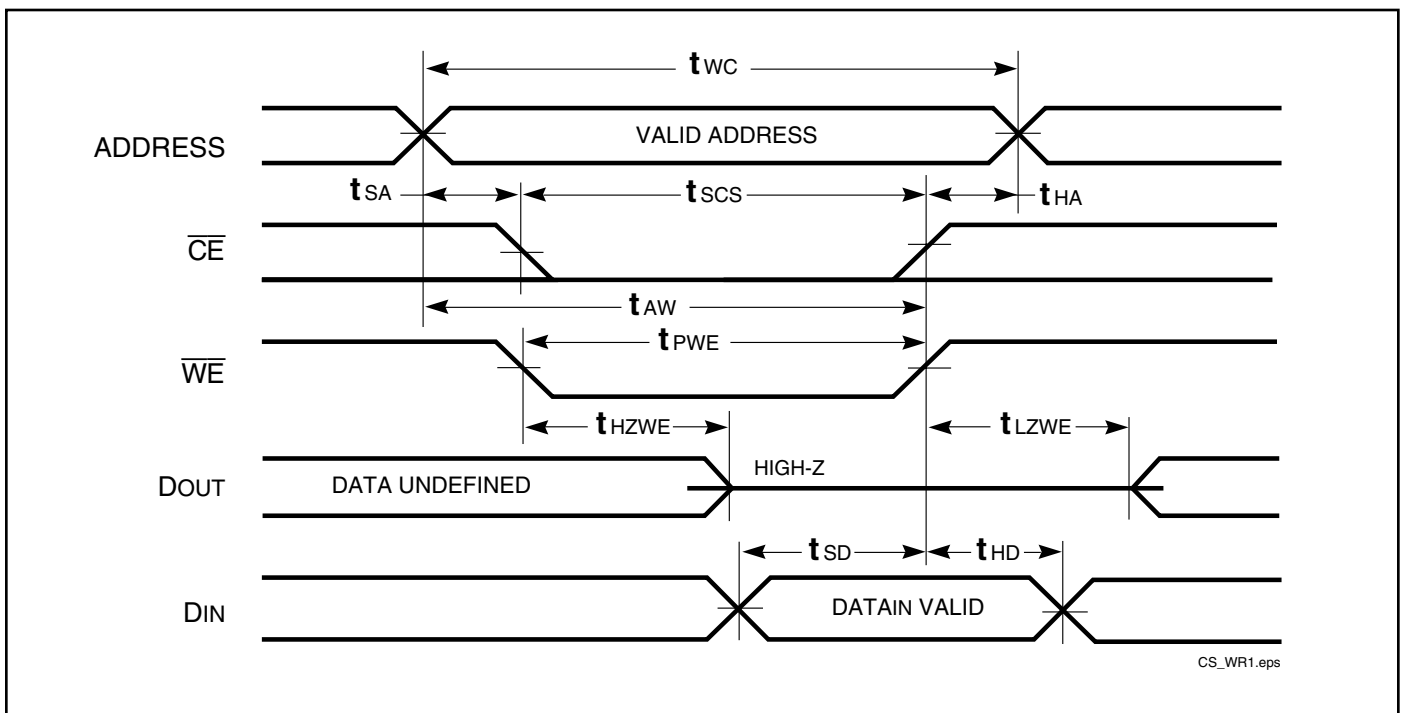
| Symbol                          | Parameter                            | -25 ns |      | -45 ns |      | Unit    |
|---------------------------------|--------------------------------------|--------|------|--------|------|---------|
|                                 |                                      | Min.   | Max. | Min.   | Max. |         |
| t <sub>wc</sub>                 | Write Cycle Time                     | 25     | —    | 45     | —    | ns      |
| t <sub>scs</sub>                | $\overline{CE}$ to Write End         | 15     | —    | 35     | —    | ns      |
| t <sub>aw</sub>                 | Address Setup Time to Write End      | 15     | —    | 25     | —    | ns      |
| t <sub>ha</sub>                 | Address Hold from Write End          | 0      | —    | 0      | —    | ns      |
| t <sub>sa</sub>                 | Address Setup Time                   | 0      | —    | 0      | —    | ns      |
| t <sub>pwe<sup>(4)</sup></sub>  | $\overline{WE}$ Pulse Width          | 15     | —    | 25     | —    | ns      |
| t <sub>sd</sub>                 | Data Setup to Write End              | 12     | —    | 20     | —    | ns </td |
| t <sub>hd</sub>                 | Data Hold from Write End             | 0      | —    | 0      | —    | ns      |
| t <sub>hzwe<sup>(2)</sup></sub> | $\overline{WE}$ LOW to High-Z Output | —      | 8    | —      | 20   | ns      |
| t <sub>lzwe<sup>(2)</sup></sub> | $\overline{WE}$ HIGH to Low-Z Output | 0      | —    | 0      | —    | ns      |

**Notes:**

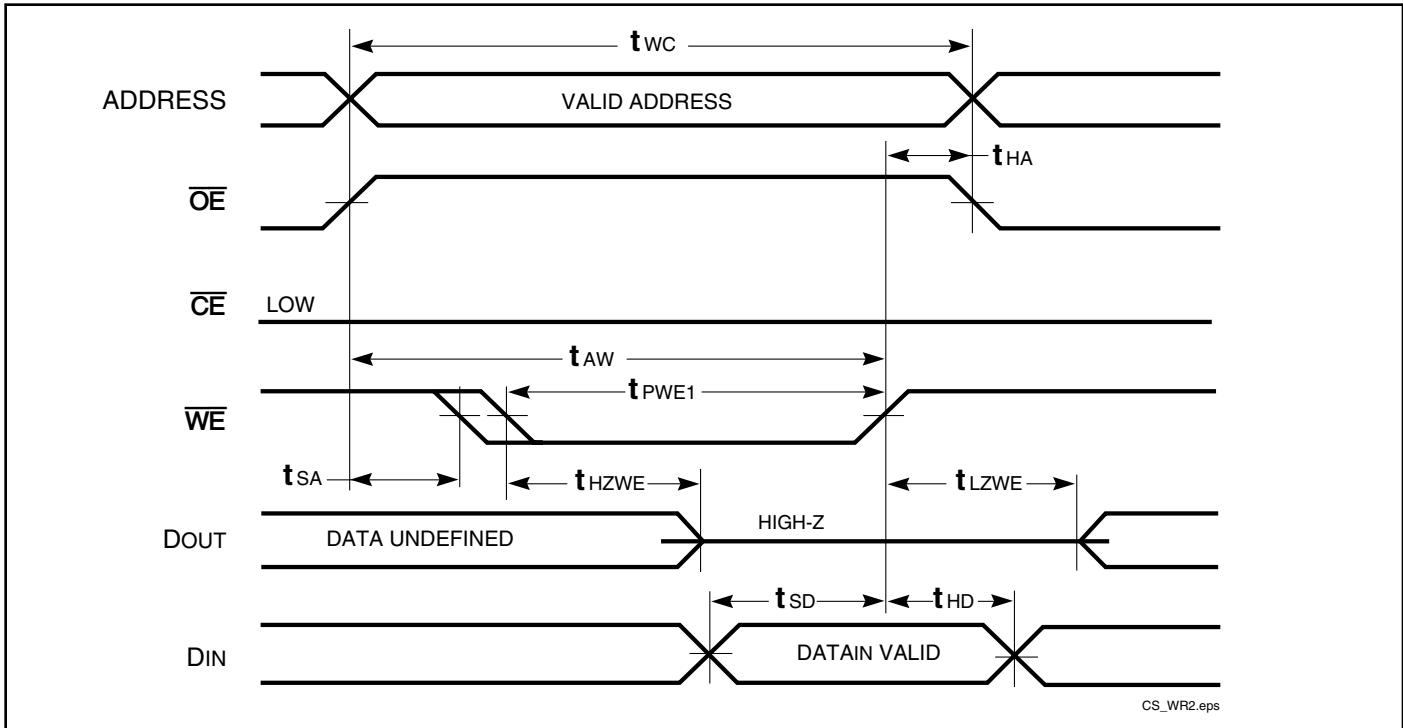
1. Test conditions assume signal transition times of 5 ns or less, timing reference levels of 1.5V, input pulse levels of 0 to 3.0V and output loading specified in Figure 1.
2. Tested with the load in Figure 2. Transition is measured  $\pm 500$  mV from steady-state voltage. Not 100% tested.
3. The internal write time is defined by the overlap of  $\overline{CE}$  LOW and  $\overline{WE}$  LOW. All signals must be in valid states to initiate a Write, but any one can go inactive to terminate the Write. The Data Input Setup and Hold timing are referenced to the rising or falling edge of the signal that terminates the write.
4. Tested with  $\overline{OE}$  HIGH.

**AC WAVEFORMS**

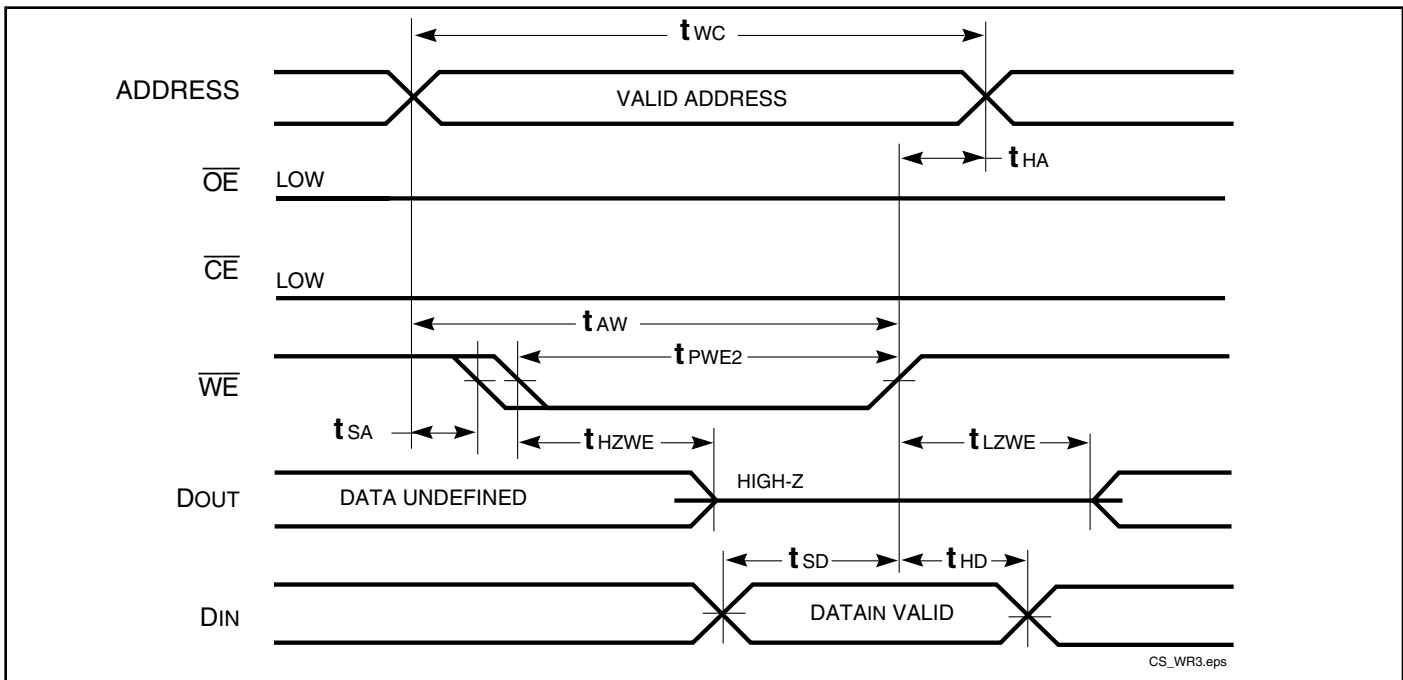
**WRITE CYCLE NO. 1** ( $\overline{CE}$  Controlled,  $\overline{OE}$  is HIGH or LOW) <sup>(1)</sup>



WRITE CYCLE NO. 2 ( $\overline{OE}$  is HIGH During Write Cycle) <sup>(1,2)</sup>



WRITE CYCLE NO. 3 ( $\overline{OE}$  is LOW During Write Cycle) <sup>(1)</sup>



Notes:

1. The internal write time is defined by the overlap of  $\overline{CE}$  LOW and  $\overline{WE}$  LOW. All signals must be in valid states to initiate a Write, but any one can go inactive to terminate the Write. The Data Input Setup and Hold timing are referenced to the rising or falling edge of the signal that terminates the write.
2. I/O will assume the High-Z state if  $\overline{OE} = V_{IH}$ .



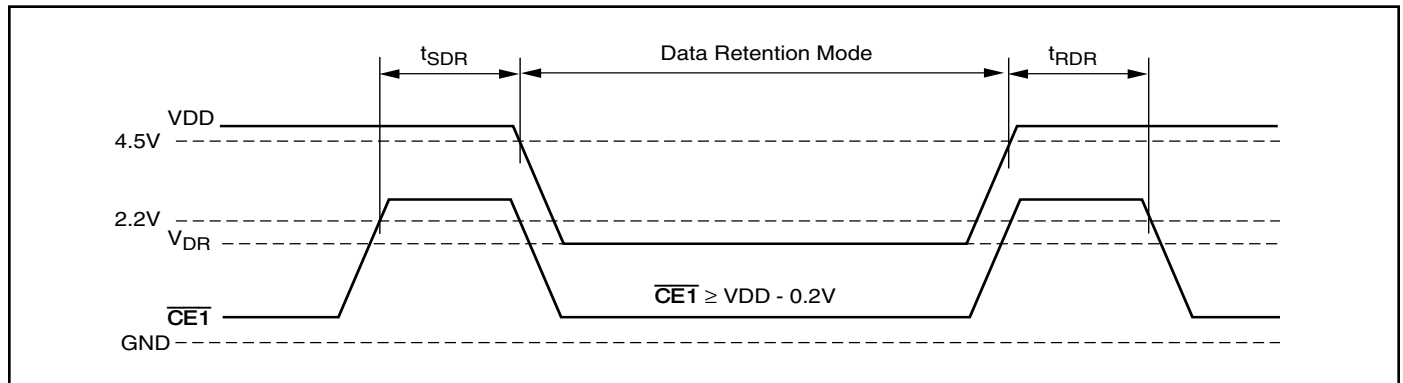
### DATA RETENTION SWITCHING CHARACTERISTICS

| Symbol    | Parameter                   | Test Condition   | Min.     | Typ. | Max. | Unit    |
|-----------|-----------------------------|--|----------|------|------|---------|
| $V_{DR}$  | $V_{DD}$ for Data Retention | See Data Retention Waveform  | 2.0      |      | 5.5  | V       |
| $I_{DR}$  | Data Retention Current      | $V_{DD} = 2.0V, \overline{CE} \geq V_{DD} - 0.2V$                  | Com.     | —    | 15   | $\mu A$ |
|           |                             | $V_{IN} \geq V_{DD} - 0.2V, \text{ or } V_{IN} \leq V_{SS} + 0.2V$ | Ind.     | —    | 20   |         |
|           |                             |  | Auto.    | —    | 50   |         |
| $t_{SDR}$ | Data Retention Setup Time   | See Data Retention Waveform  | 0        |      |      | ns      |
| $t_{RDR}$ | Recovery Time               | See Data Retention Waveform  | $t_{RC}$ |      |      | ns      |

**Note:**

1. Typical Values are measured at  $V_{DD} = 5V, T_A = 25^\circ C$  and not 100% tested.

### DATA RETENTION WAVEFORM ( $\overline{CE}$ Controlled)



## ORDERING INFORMATION

### Commercial Range: 0°C to +70°C

| Speed<br>(ns) | Order Part No.  | Package                |
|---------------|-----------------|------------------------|
| 45            | IS62C256AL-45T  | TSOP                   |
|               | IS62C256AL-45TL | TSOP, Lead-free        |
|               | IS62C256AL-45UL | Plastic SOP, Lead-free |

## ORDERING INFORMATION

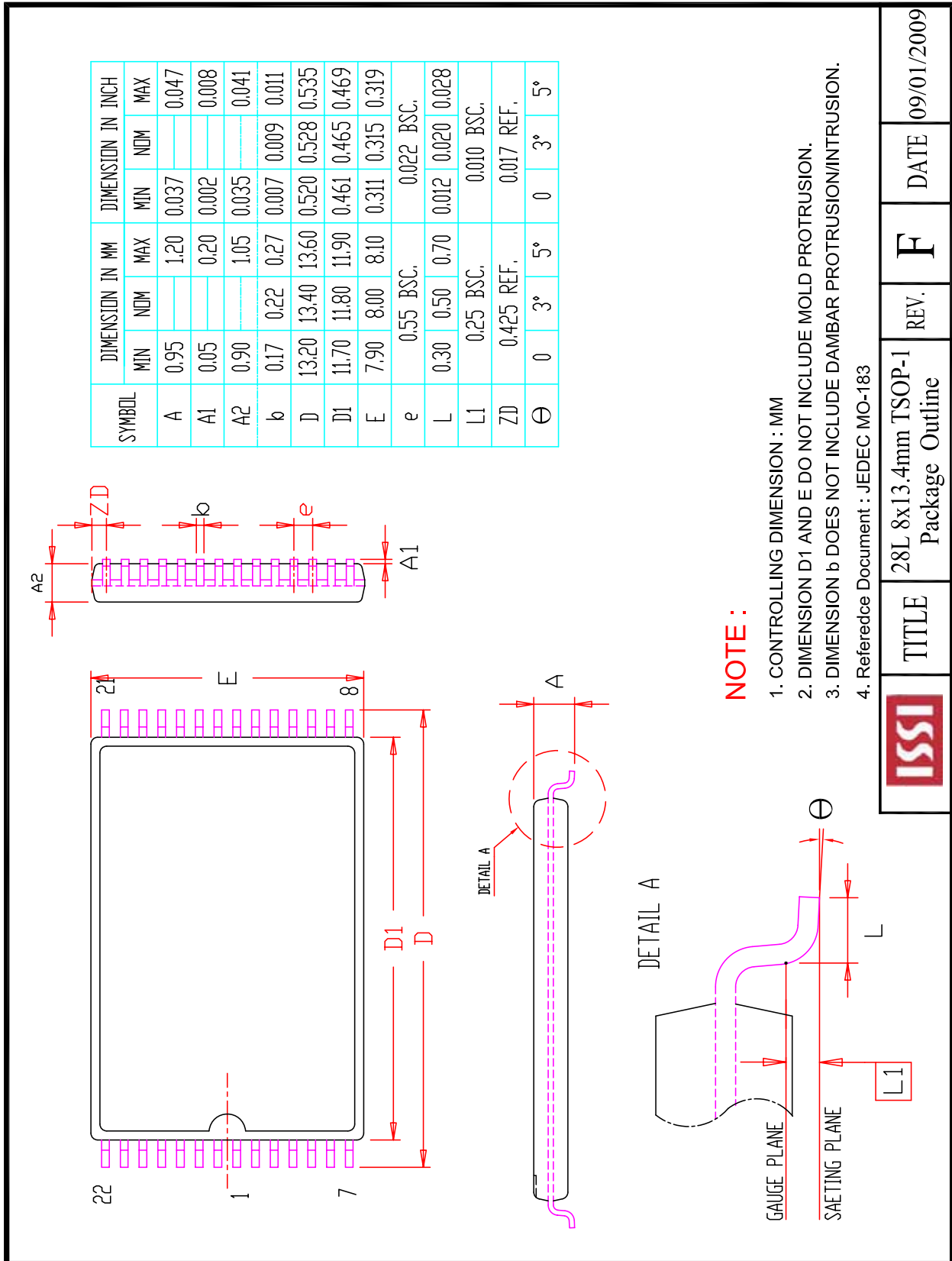
### Industrial Range: -40°C to +85°C

| Speed<br>(ns) | Order Part No.   | Package                |
|---------------|------------------|------------------------|
| 25            | IS62C256AL-25TI  | TSOP                   |
|               | IS62C256AL-25ULI | Plastic SOP, Lead-free |
| 45            | IS62C256AL-45TI  | TSOP                   |
|               | IS62C256AL-45TLI | TSOP, Lead-free        |
|               | IS62C256AL-45ULI | Plastic SOP, Lead-free |

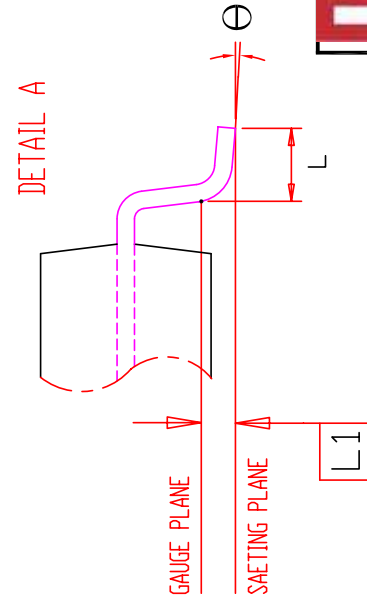
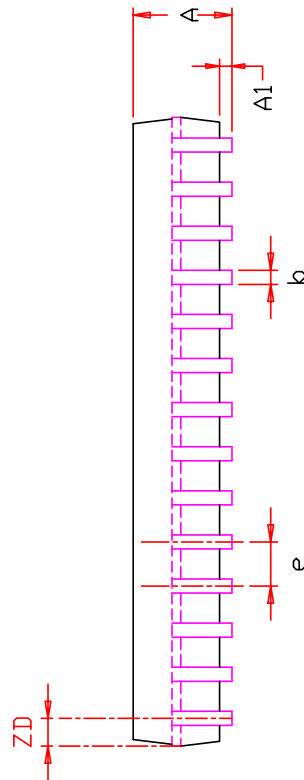
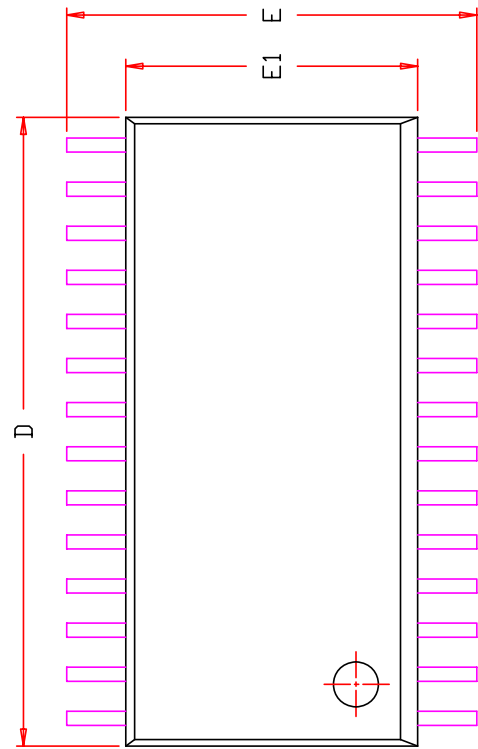
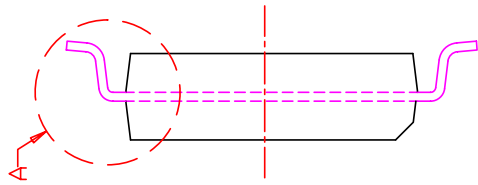
## ORDERING INFORMATION

### Automotive Range: -40°C to +125°C

| Speed<br>(ns) | Order Part No.    | Package                |
|---------------|-------------------|------------------------|
| 25            | IS65C256AL-25TA3  | TSOP                   |
|               | IS65C256AL-25TLA3 | TSOP, Lead-free        |
|               | IS65C256AL-25ULA3 | Plastic SOP, Lead-free |
| 45            | IS65C256AL-45TA3  | TSOP                   |
|               | IS65C256AL-45TLA3 | TSOP, Lead-free        |
|               | IS65C256AL-45ULA3 | Plastic SOP, Lead-free |



|  |  |      |            |
|--|--|------|------------|
|  | TITLE                                  | REV. | DATE       |
|  | 28L 8x13.4mm TSOP-1<br>Package Outline | F    | 09/01/2009 |



**NOTE :**

1. CONTROLLING DIMENSION : MM
2. DIMENSION D AND E1 DO NOT INCLUDE MOLD PROTRUSION.
3. DIMENSION b DOES NOT INCLUDE DAMBAR PROTRUSION/INTRUSION.

| SYMBOL | DIMENSION IN MM |      |       | DIMENSION IN INCH |       |       |
|--------|-----------------|------|-------|-------------------|-------|-------|
|        | MIN.            | NOM. | MAX.  | MIN.              | NOM.  | MAX.  |
| A      | 2.55            |      | 3.05  | 0.100             |       | 0.120 |
| A1     | 0.05            |      | 0.35  | 0.002             |       | 0.014 |
| b      | 0.35            |      | 0.50  | 0.014             |       | 0.020 |
| D      | 17.70           |      | 18.62 | 0.697             |       | 0.733 |
| E      | 11.50           |      | 12.70 | 0.453             |       | 0.500 |
| E1     | 8.23            | 8.40 | 8.90  | 0.324             | 0.330 | 0.350 |
| e      | 1.27 BSC.       |      |       | 0.050 BSC.        |       |       |
| L      | 0.40            |      | 1.27  | 0.016             |       | 0.050 |
| L1     | 0.25 BSC.       |      |       | 0.010 BSC.        |       |       |
| ZD     | 0.795 REF.      |      |       | 0.031 REF.        |       |       |
| ϕ      | 0               |      | 8°    | 0                 |       | 8°    |

|  |       |                                   |      |   |      |            |
|--|-------|-----------------------------------|------|---|------|------------|
|  | TITLE | 28L 330mil SOP<br>Package Outline | REV. | C | DATE | 08/19/2009 |
|--|-------|-----------------------------------|------|---|------|------------|