

TECHNICAL SPECIFICATIONS

D-Sub Hood:

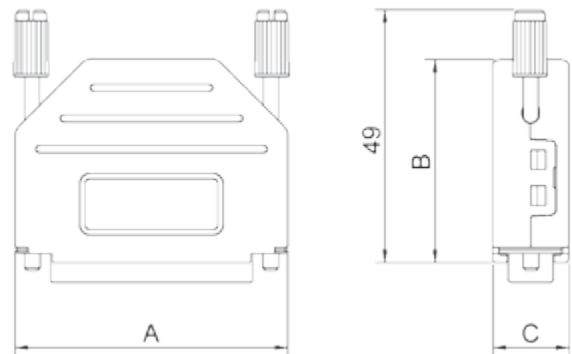
Housing material:	Polyamid, UL-recognised
Operating Temperature:	-55°C to +105°C
Cable Entry:	Top
Thumbscrews:	UNC 4-40 (Standard)
Cable O.D.:	Up to 11,5mm

High Density D-Sub Solder Cup:

Insulator:	Glass filled TP, UL94 V-0
Shell:	Steel, Tin Plated
Contact pins:	Copper Alloy Gold Flash over Ni.
Stamped & Formed Pins	Class 3, 100 inserts min.
Contact Plating:	Gold flash over Nickel
Operating Temperature:	-55°C to +85°C
Withstanding voltage:	>1000V Rms to 50 Hz for 1 minute
Current Rating:	3A
Insulator resistance:	>5000MΩ min.

Features:

- Available in sizes HD 15-26-44-62
- Re-openable



Size DPPK-P	Dim A	Dim B	Dim C
9-way	31,5	34,0	15,0
15-way	40,0	34,0	15,0
25-way	53,5	34,0	15,0
37-way	70,0	40,0	15,0

Ordering information:

High Density D-Sub Connector Kits

Size:	P/N - Kitted:	Product Code - MALE Conn. Kit
HD 15	6355-5002-01	DPPK09-BK+L717HDE15P
HD 26	6355-5002-02	DPPK15-BK+L717HDA26P
HD 44	6355-5002-03	DPPK25-BK+L717HDB44P
HD 62	6355-5002-04	DPPK37-BK+L717HDC62P

Size:	P/N - Kitted:	Product Code - FEMALE Conn. Kit
HD 15	6355-5002-11	DPPK09-BK+L77HDE15S
HD 26	6355-5002-12	DPPK15-BK+L77HDA26S
HD 44	6355-5002-13	DPPK25-BK+L77HDB44S
HD 62	6355-5002-14	DPPK37-BK+L77HDC62S

