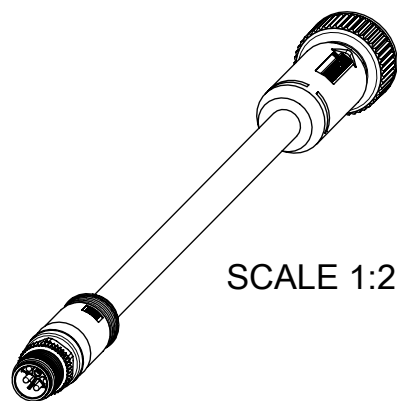
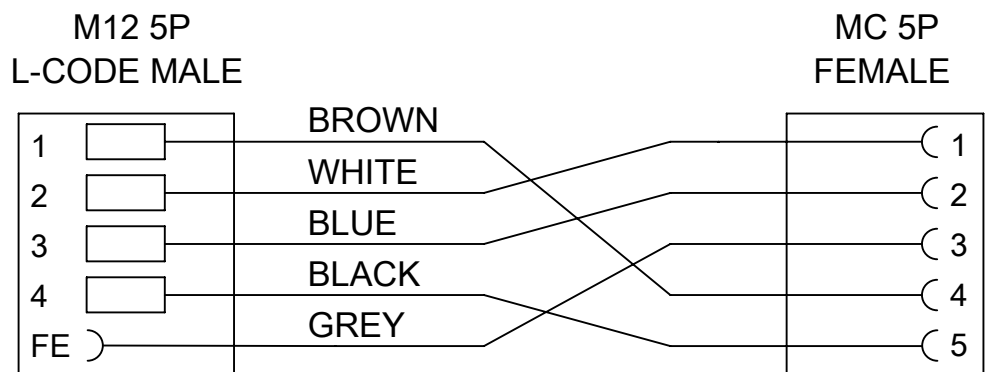


WIRING DIAGRAM



BOM

ITEM	QTY	DESCRIPTION	MATERIAL	FINISH
1	1	NUT M12 MA KNU/HEX	BRASS	Ni
2	1	INSERT M12 MA 5P LC	PA	GREY
3	1	CONTACT 15 FE	BRASS	Au
4	-	OVERMOLD	TPE	BLACK
5	1	CABLE 5XAWG16 WSOR STYLE 21215 D8.60 UNSH	PUR	GREY
6	4	CONTACT 15 MA	BRASS	Au
7	-	BONDING AGENT	EPOXY RESIN	-
8	1	MC 5P FEMALE INSERT	TPC	BLACK
9	1	MC COUPLING NUT A-SIZE	ZINC	BLACK
10	1	FRICTION RING - A SIZE	NYLON	NATURAL
11	5	MC SOCKET+SLEEVE ASSY, 16 AWG	BRASS / SST	Au/-
OPTIONAL 12	-	I/D CARRIER10-14x23 205/23		

THIS DRAWING CONTAINS INFORMATION THAT IS PROPRIETARY TO MOLEX ELECTRONIC TECHNOLOGIES, LLC AND SHOULD NOT BE USED WITHOUT WRITTEN PERMISSION

FUNCTIONAL SYMBOLS

△/A = 0

△/E = 1

△/V = 0

DIVISIONAL SYMBOLS

THIS DRAWING CONTAINS INFORMATION THAT IS PROPRIETARY TO MOLEX ELECTRONIC TECHNOLOGIES, LLC AND SHOULD NOT BE USED WITHOUT WRITTEN PERMISSION

GENERAL TOLERANCES (UNLESS SPECIFIED)

ANGULAR TOL ± 1.0°

4 PLACES ±

3 PLACES ±

2 PLACES ± 0.05

1 PLACE ± 0.3

0 PLACES ± 0.5

DRAFT WHERE APPLICABLE MUST REMAIN WITHIN DIMENSIONS

THIRD ANGLE PROJECTION

DRAWING

SERIES

MATERIAL NUMBER

CUSTOMER

SHEET NUMBER

EC NO: 735577

DRWN: MARUTD 2023/01/12

CHK'D: RSILLER 2023/01/19

APPR: RSILLER 2023/01/19

INITIAL REVISION:

DRWN: RSCHEBER 2022/04/28

APPR: RSILLER 2022/12/05

DOCUMENT NUMBER

DOC TYPE

DOC PART

REVISION

1205050105

PSD

000

A1

SEE TABLE 1

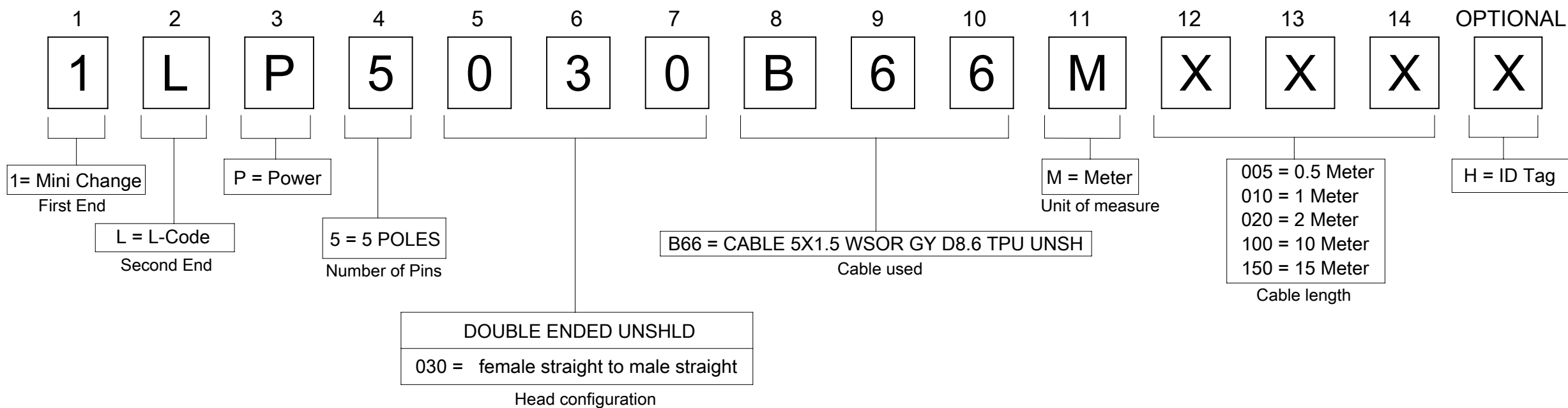
GENERAL MARKET

1 OF 2

A3-SIZE

120505

ENGINEERING NO - NUMERICAL CODE (Available parts see PART LIST table. Other parts available upon request).



NOTES:

- RATED VOLTAGE: 63 V AC/DC
- RATED CURRENT: Max. 10 A at 40°C
- IP RATING: IP67 (mated and locked condition)
- TEMPERATURE RANGE: -25°C TO +85°C
- PENDING: UL Listed to UL2238 E152210
- CABLE PRINTING: (sequence as shown below):
 - MOLEX engineering no. (e.g. 1LP5030B65M020)
 - MOLEX material no. (e.g. 1205050105)
 - MOLEX MAX. 63 V AC/DC MAX. 10 A
 - MOLEX AND DATE OF MANUFACTURING (YY=YEAR; WW=WEEK): MXYYYWW
 - Not for current interrupting

TABLE 1

NOMINAL SECTION 1,5mm ²			
MATERIAL NO.	ENGINEERING NO.	L [mm]	TOLERANCE [mm]
1205050105	1LP5030B66M020	2000	+60
1205050106	1LP5030B66M050	5000	+60
1205050107	1LP5030B66M100	10000	+80
1205050108	1LP5030B66M150	15000	+140
1205050109	1LP5030B66M200	20000	+140

FUNCTIONAL SYMBOLS	THIS DRAWING CONTAINS INFORMATION THAT IS PROPRIETARY TO MOLEX ELECTRONIC TECHNOLOGIES, LLC AND SHOULD NOT BE USED WITHOUT WRITTEN PERMISSION					
	THIS DRAWING CONTAINS INFORMATION THAT IS PROPRIETARY TO MOLEX ELECTRONIC TECHNOLOGIES, LLC AND SHOULD NOT BE USED WITHOUT WRITTEN PERMISSION	SCALE				
	GENERAL TOLERANCES (UNLESS SPECIFIED)	1:1	EC NO: 735577		PRODUCT CUSTOMER DRAWING	
	ANGULAR TOL ± 1.0°		DRWN: MARUTD 2023/01/12		DOCUMENT NUMBER	
4 PLACES ±		CHK'D: RSILLER 2023/01/19		DOC TYPE		
3 PLACES ±		APPR: RSILLER 2023/01/19		DOC PART		
2 PLACES ± 0.05		INITIAL REVISION:		REVISION		
1 PLACE ± 0.3		DRWN: RSCHEIBER 2022/04/28		1205050105		
0 PLACES ± 0.5		APPR: RSILLER 2022/12/05		PSD 000 A1		
DRAFT WHERE APPLICABLE MUST REMAIN WITHIN DIMENSIONS	THIRD ANGLE PROJECTION	DRAWING	SERIES	MATERIAL NUMBER	CUSTOMER	SHEET NUMBER
		A3-SIZE	120505	SEE TABLE 1	GENERAL MARKET	2 OF 2