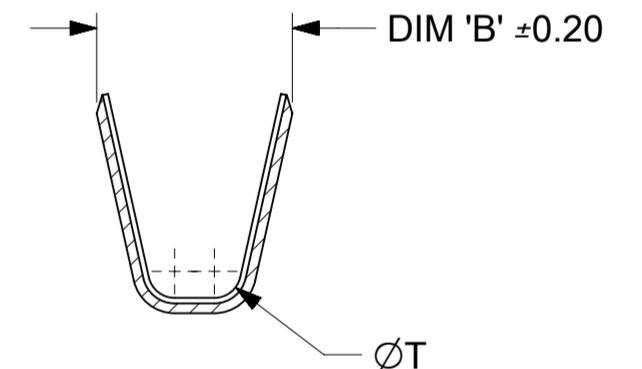
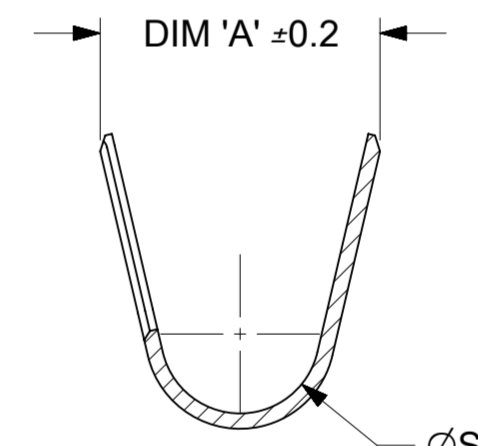
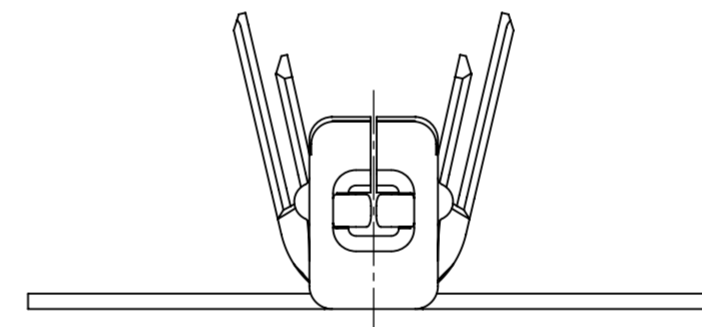
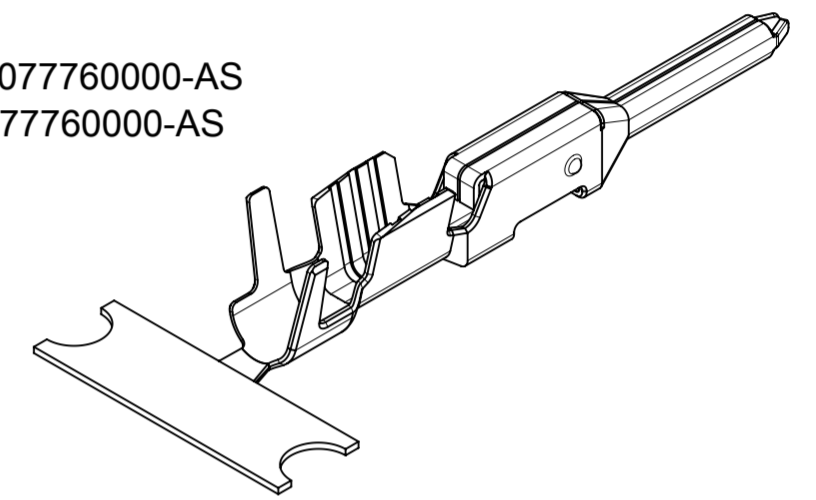


NOTES:

1. MATERIAL: COPPER ALLOY
2. PLATING: 100µin MIN. OVERALL MATTE TIN OVER
50µin MIN. OVERALL MATTE NICKEL
3. PRODUCT SPECIFICATION: 2077760000-PS
4. APPLICATION SPECIFICATION: 2077760000-AS
5. PACKAGING: REEL PACK PER: 2077760000-PK
6. THIS CRIMP TERMINAL TO BE USED WITH ASSEMBLY SERIES 207778
7. THIS CRIMP TERMINAL MATES WITH RECEPTACLE CRIMP TERMINAL SERIES,
a. 2077760001 MATES WITH 2077770001
b. 2077760002 MATES WITH 2077770002
8. THIS PART CONFORMS TO CLASS 'B' REQUIREMENTS OF COSMETIC SPECIFICATION PS-45499-002
9. WIRE SPECIFICATION: SEE CHART.
10. CRIMP TOOLING:
APPLICATION PART NUMBER: REFER 2077760000-AS
HAND TOOL PART NUMBER: REFER 2077760000-AS



SECTION Z-Z

SECTION Y-Y

TERMINAL PART NO.	WIRE AWG	INSULATION DIA	A	B	S	T
2077760001	16AWG	1.9 - 2.4	3.7	2.6	2.1	0.7
2077760002	18-20AWG	1.46 - 2.1	2.7	2.0	1.6	0.6

THIS DRAWING CONTAINS INFORMATION THAT IS PROPRIETARY TO MOLEX ELECTRONIC TECHNOLOGIES, LLC AND SHOULD NOT BE USED WITHOUT WRITTEN PERMISSION

DIMENSION UNITS mm	SCALE 10:1	CURRENT REV DESC: NEW RELEASE						
GENERAL TOLERANCES (UNLESS SPECIFIED)		<p>molex</p> <p>PLUG CRIMP TERMINAL SQUBA 3.6</p> <p>PRODUCT CUSTOMER DRAWING</p>						
ANGULAR TOL	± °							
4 PLACES	±							
3 PLACES	±							
2 PLACES	±							
1 PLACE	± 0.2	EC NO: 619695	2019/01/31	DOCUMENT NUMBER		DOC TYPE	DOC PART	REVISION
0 PLACES	±	DRWN: MUM	2019/01/31	2077760000-SD		PSD	000	A
DRAFT WHERE APPLICABLE MUST REMAIN WITHIN DIMENSIONS	THIRD ANGLE PROJECTION	DRAWING	SERIES	MATERIAL NUMBER	CUSTOMER	SHEET NUMBER		
		A2-SIZE	207776	SEE TABLE	GENERAL MARKET	1 OF 1		