

Data sheet Actuator.

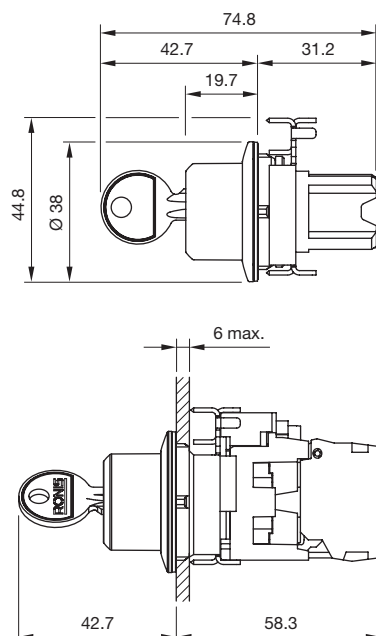
Part No.: 45-290H.1000.111

Technical data

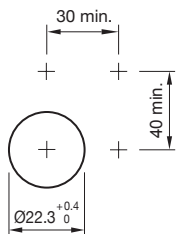


Design	raised
Front dimension	Ø 29,5 mm
Front bezel colour	Black
Front bezel material	Plastic
Housing material	Plastic
Weight	0.054 kg
IP front protection	IP66, IP67, IP69K
Switching action	Rest (a) - Maintained (a)
Rotary positions	2
Switching angle	90° right / -45° ... +45°
Operating temperature	- 25 °C ... + 70 °C
Climate resistance	During operation according to IEC 60721: 3K6, 3C3, 3S2, 3M6
Mechanical lifetime	1 Mio. cycles of operation
Hints	
	▪ The standard lock: RONIS, T254

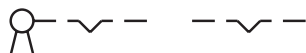
Dimensions



Mounting cut-outs



Wiring diagrams



Switching positions

