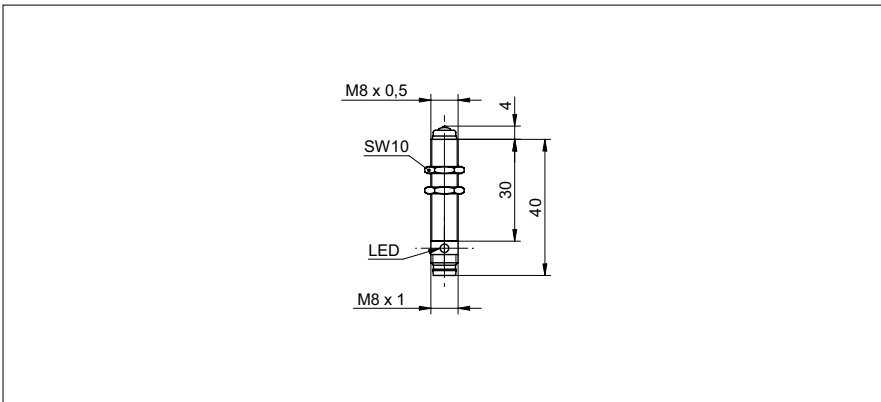


My-Com precision switches

MY-COM L75P/S35L

dimension drawing



general data

| | |
|-------------------------|---------------------|
| repeat accuracy | < 0,001 mm |
| activating force | 75 cN |
| mech. pre-run / overrun | - / 0,6 mm approx. |
| measurement type | contact with medium |
| direction of approach | frontal |
| output indicator | LED red |

electrical data

| | |
|-----------------------------|------------------------|
| voltage supply range +Vs | 5 ... 36 VDC |
| load current max. at 24 VDC | 50 mA |
| load resistance min. | 480 Ohm |
| output circuit | PNP make function (NO) |

mechanical data

| | |
|------------------|----------------------|
| activating pin | ruby |
| housing material | brass nickel plated |
| dimension | 8 mm |
| type | cylindrical threaded |
| housing length | 40 mm |
| connection types | connector M8 |

ambient conditions

| | |
|-----------------------|----------------|
| operating temperature | -20 ... +75 °C |
| protection class | IP 67 |

photo



connection diagram

