
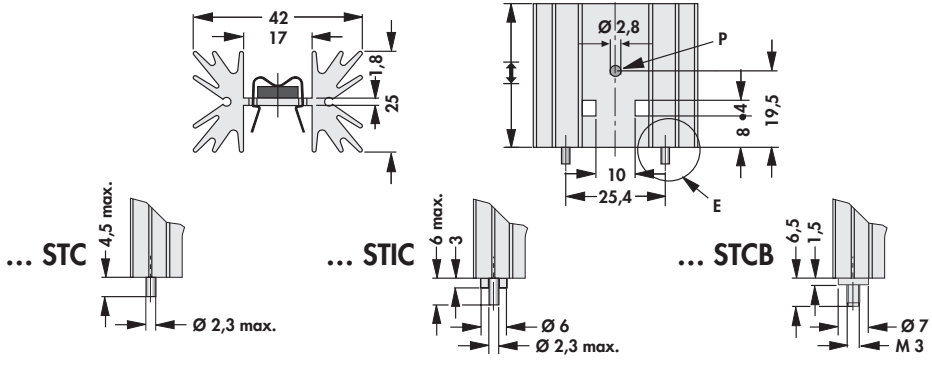


Extruded heatsinks for PCB mounting

- for semiconductor clip-mounting
- special lengths and transistor drillings on request
- **P** = raised retaining stud, **E** = mounting method


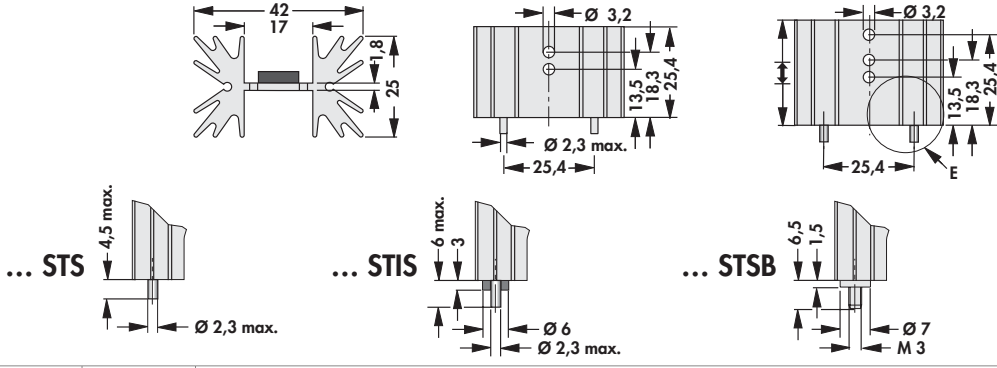



art. no.	l [mm]	R _{th} [K/W]	⌀
SK 129 25,4 ...	25.4	7.8	TO 220
SK 129 38,1 ...	38.1	6.5	TO 220
SK 129 50,8 ...	50.8	5.3	TO 220
SK 129 63,5 ...	63.5	4.5	TO 220

please indicate: ... mounting method
STC = with solder pin
STIC = with solder pin and insulating washer
STCB = with threaded bolt M3, brass

surface: black anodised

- for semiconductor screw-mounting
- special lengths and transistor drillings on request
- **E** = mounting method

art. no.	l [mm]	R _{th} [K/W]	⌀
SK 129 25,4 ...	25.4	7.8	SOT 32/ TO 220/ TO 3 P
SK 129 38,1 ...	38.1	6.5	SOT 32/ TO 220/ TO 3 P
SK 129 50,8 ...	50.8	5.3	SOT 32/ TO 220/ TO 3 P
SK 129 63,5 ...	63.5	4.5	SOT 32/ TO 220/ TO 3 P

please indicate: ... mounting method
STS = with solder pin
STIS = with solder pins and insulating washer
STSB = with threaded bolt M3, brass

surface: black anodised