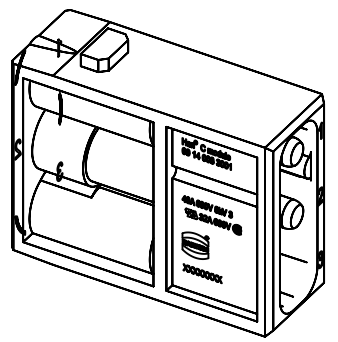
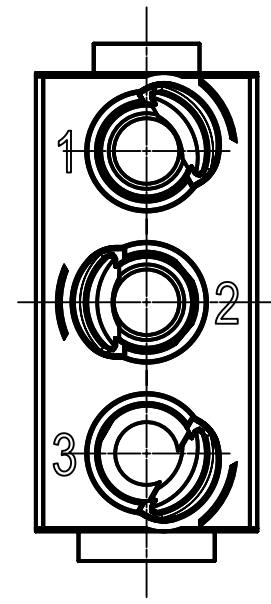
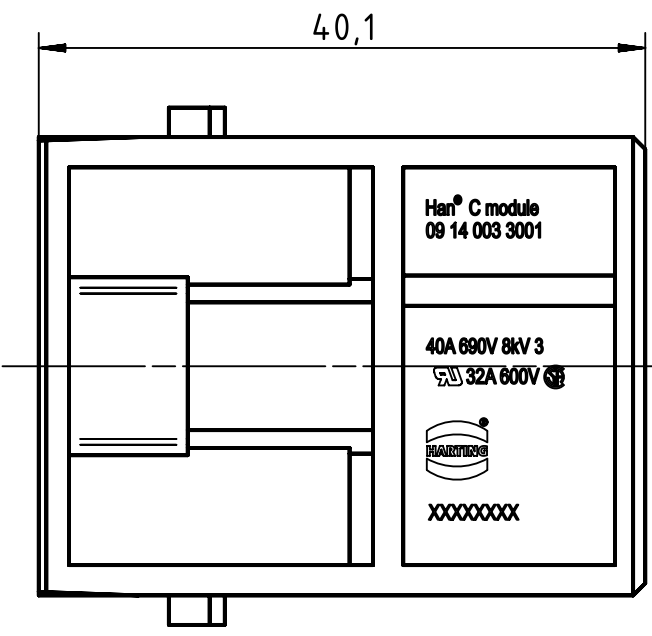
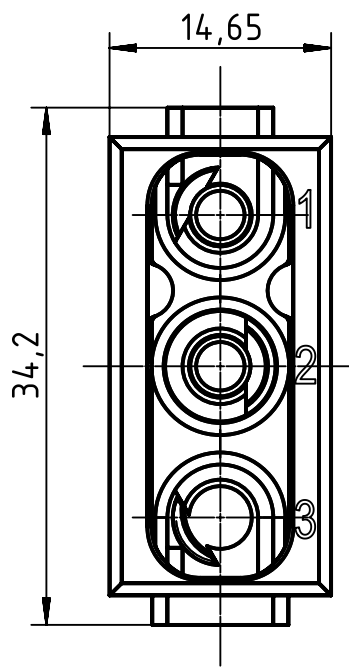


1 2 3 4 5 6

A
B
C
D



stripping length 10 mm² (AWG 8) = 12 mm
 cable diameter > 4,8 mm: stripping length 12 mm
 outer diameter of wire up to 7.8 mm

	All Dimensions in mm Original Size DIN A4	Scale 2:1		Free size tol.		Ref.	
						Sub.	
	All rights reserved Department EL PD - DE	Created by HOLLERT	Inspected by RIEPE	Standardisation SCHMIDTM	Date 2015-02-06	State Final Release	
		Title Han C module, crimp male					Doc-Key / ECM-Nr. 100086337/UGD/018/C 500000084827
HARTING Electric GmbH & Co. KG D-32339 Espelkamp		Type TB	Number 09 14 003 3001			Rev. C	Page 1/1