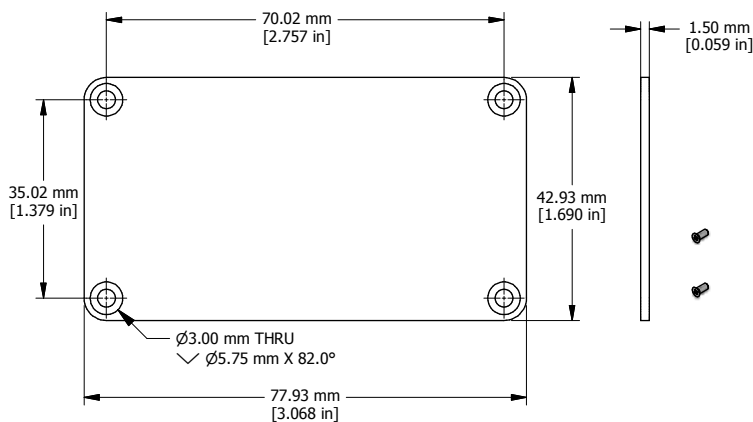
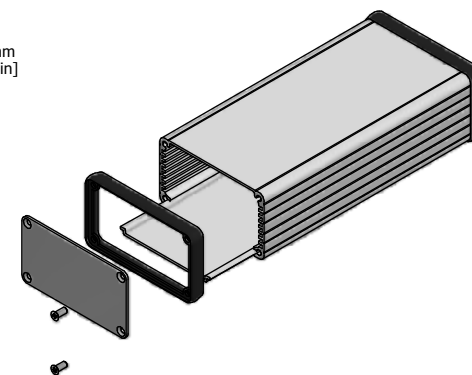


EXTRUSION



END PLATE

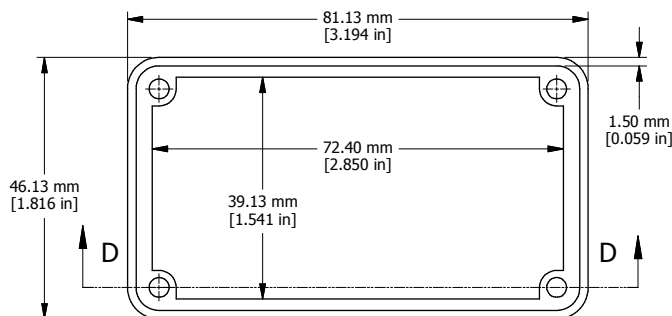


EXPLODED ASSEMBLY VIEW

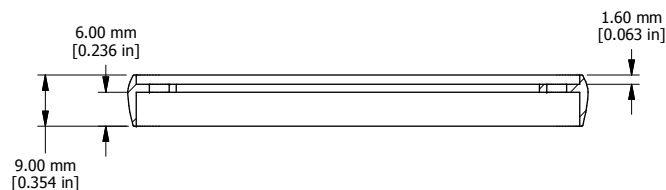
B

B

EXTRUSION DESIGNED FOR 75MM WIDE PC BOARD



OPEN BEZEL



OPTIONAL FLANGE END PANELS
1455KF

Enclosures can be Factory Modified (Milling, Drilling, Printing etc.)
Solid models of this enclosure available in STEP or IGES.
Contact Factory mjm@hammondmfg.com

NOTE

Purchased assembly includes box, plastic bezels, end panels, #6
Taptight screws and self adhesive rubber feet.

Box made from Extruded Aluminum 6063.

Bezels made with polycarbonate.

1455K1601

PART NUMBERS

Clear Anodized	1455K1601
Black Anodized	1455K1601BK
Blue Anodized	1455K1601BU
Red Anodized	1455K1601RD

ACCESSORIES

See website for accessories.



A

A