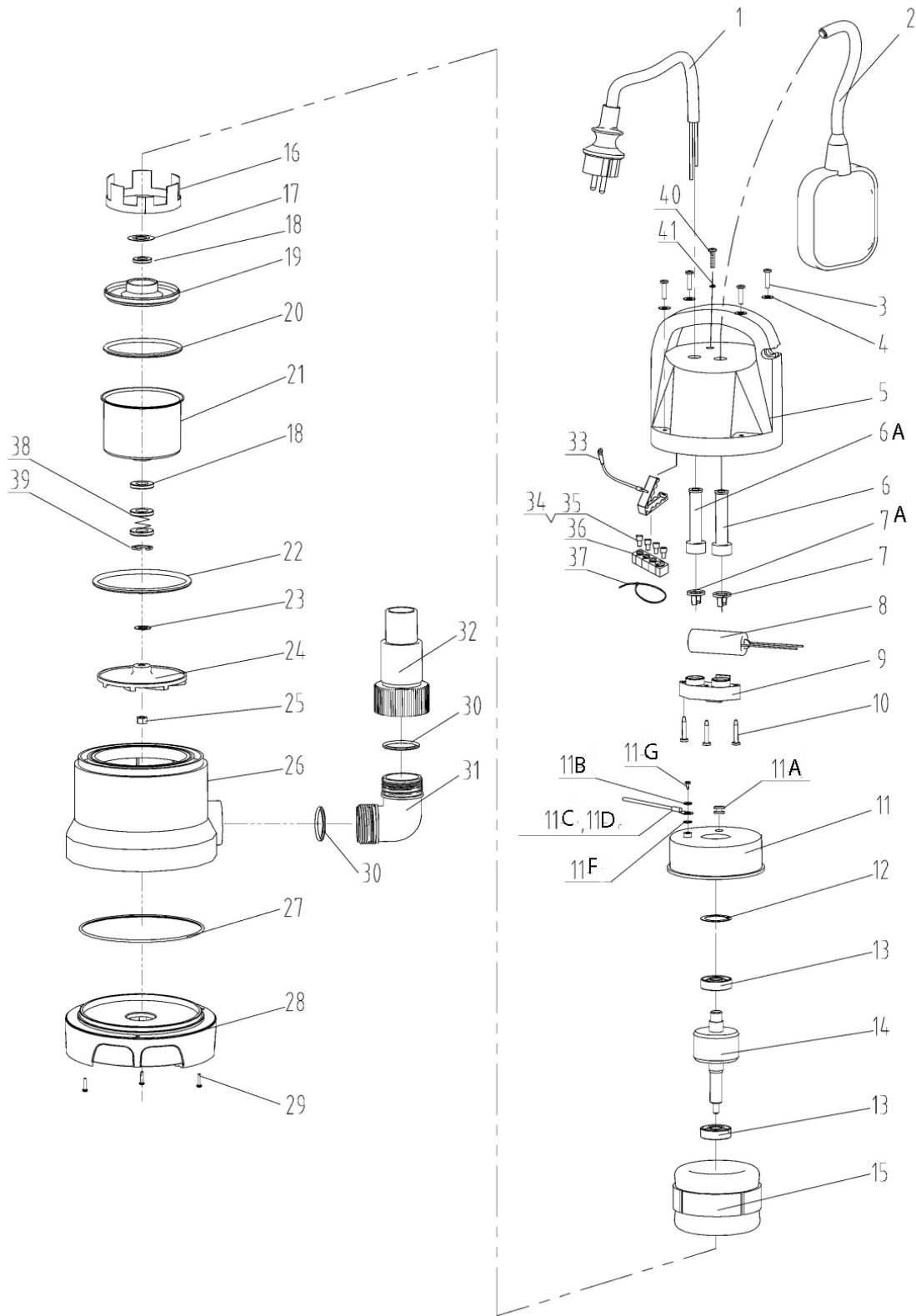




Parts Information:  
**Submersible Clean & Dirty Water Pump**  
**Automatic 217ltr/min 230V**  
**Model No: WPCD215**



**NOTE:** It is our policy to continually improve products and as such we reserve the right to alter data, specifications and component parts without prior notice.

**IMPORTANT:** No liability is accepted for incorrect use of product.

**WARRANTY:** Guarantee is 12 months from purchase date, proof of which will be required for any claim.

**Sealey Group**, Kempson Way, Suffolk Business Park, Bury St Edmunds, Suffolk. IP32 7AR



01284 757500



01284 703534



sales@sealey.co.uk



www.sealey.co.uk



Parts Information:  
**Submersible Clean & Dirty Water Pump**  
**Automatic 217ltr/min 230V**  
**Model No: WPCD215**

Item	Part No.	Description
1	WP08701001	POWER CABLE
2	WP01401001	FLOAT SWITCH
3	WP07802005	SELF-TAPPING SCREW
4	WP03802031	WASHER
5	WP00303020	REAR PUMP CASING
6	WP05201034	CABLE SHEATH
6A	WP05201036	CABLE SHEATH
7	WP05602005	CABLE BUCKLE
7A	WP05602008	CABLE BUCKLE
8	WP08401025	4uF CAPACITOR
9	WP05501001	CABLE GRIP
10	WP07802018	SELF-TAPPING SCREW
11	WP02602004	ALUMINUM REAR COVER
11A	WP05202003	WIRE SHEATH
11B	WP934	SPRING WASHER
11C	WP08601001	WIRE (YELLOW/GREEN)
11D	WP04102027	PLATE
--	WP08301001	HEAT SHRINK TUBE (NOT SHOWN)
11F	WP86224	WASHER
11G	WP818	SCREW M4X8
12	WP03801001	WAVE WASHER
13	B/6201ZZ	BEARING 6201ZZ
14	WP0230102345	ROTOR
15	WP02202007750	STATOR
16	WP02005011	BUSHING RING
17	WP03802023	WASHER
18	WP05102002	SEALING RING
19	WP04204001	ALUMINUM BUSHING

Item	Part No.	Description
20	WP05101052	O-RING
21	WP02501054	FRONT COVER
22	WP05101010	O-RING
23	WP03802005	ADJUSTING GASKET
24	WP00903036	IMPELLER
25	SN8.S	STEEL NUT M8 ZINC DIN934 (SINGLE)
26	WP00403002	MAIN PUMP CASING
--	WP3086	STEEL BALL (NOT SHOWN)
--	WP03804004	WASHER (NOT SHOWN)
--	WP8450	SELF TAPPING SCREW ST2.9x8.5 (NOT SHOWN)
27	WP05101015	O-RING
28	WP00601042	BASE
--	WP03901005	SUPPORT (NOT SHOWN)
--	WP05501036	LOCK BLOCK (NOT SHOWN)
--	WP00702002	BASE PLATE (NOT SHOWN)
--	SM1302.74	SCREW (ST4.2x13) (NOT SHOWN)
29	WP845H	SELF TAPPING SCREW ST4.2x18
30	WP05101006	O-RING
31	WP02803001	ELBOW
32	WP02703001	OUTPUT CONNECTOR
33	WP04105011	COVER
34	WP04101001	NYLON SAFETY PRESS LINE CAP
35	WP04101003	NYLON SAFETY PRESS LINE CAP
36	WP03203012	RUBBER CLIP
37	WP08501001	CABLE TIE
38	WP06101007	MECHANICAL SEAL
39	WP894112	CHECKED RING

**NOTE:** It is our policy to continually improve products and as such we reserve the right to alter data, specifications and component parts without prior notice.

**IMPORTANT:** No liability is accepted for incorrect use of product.

**WARRANTY:** Guarantee is 12 months from purchase date, proof of which will be required for any claim.

Sealey Group, Kempson Way, Suffolk Business Park, Bury St Edmunds, Suffolk. IP32 7AR



01284 757500



01284 703534



sales@sealey.co.uk



www.sealey.co.uk