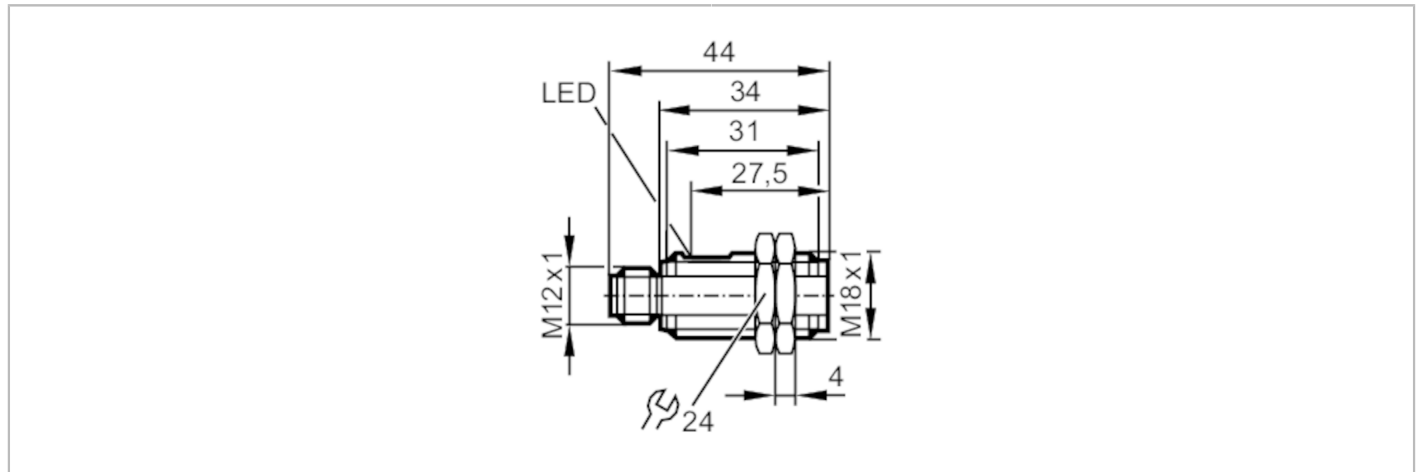




Retro-reflective sensor

OGP-DNKG/US



Product characteristics	
Type of light	red light
Housing	threaded type
Dimensions [mm]	M18 x 1 / L = 44
Application	
Special feature	polarisation filter
Function principle	Retro-reflective sensor
Electrical data	
Operating voltage [V]	10...30 DC
Current consumption [mA]	20
Protection class	III
Reverse polarity protection	yes
Type of light	red light
Outputs	
Electrical design	NPN
Output function	dark-on mode
Max. voltage drop switching output DC [V]	2.5
Permanent current rating of switching output DC [mA]	200
Switching frequency DC [Hz]	1000
Short-circuit protection	yes
Overload protection	yes
Detection zone	
Range referred to prismatic reflector [m]	0.05...2.5; (Prismatic reflector Ø 80 E20005)
Range adjustable	no
Max. light spot diameter [mm]	200
Light spot dimensions refer to	at maximum range
Polarisation filter available	yes

OGP102



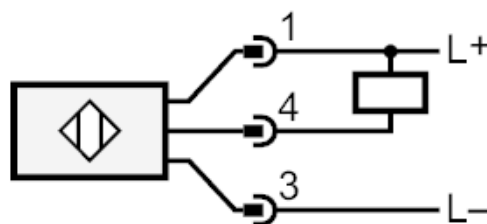
Retro-reflective sensor

OGP-DNKG/US

Operating conditions		
Ambient temperature	[°C]	-25...60
Protection		IP 67; (in conjunction with a corresponding connector)
Tests / approvals		
EMC		EN 60947-5-2
MTTF	[years]	1161
Mechanical data		
Weight	[g]	14.6
Housing		threaded type
Dimensions	[mm]	M18 x 1 / L = 44
Thread designation		M18 x 1
Materials		housing: ABS
Lens material		PMMA
Displays / operating elements		
Display	switching status	1 x LED, yellow
Accessories		
Accessories (supplied)		lock nuts: 2 x
Remarks		
Pack quantity		1 pcs.
Electrical connection		
Connector: 1 x M12		



Connection



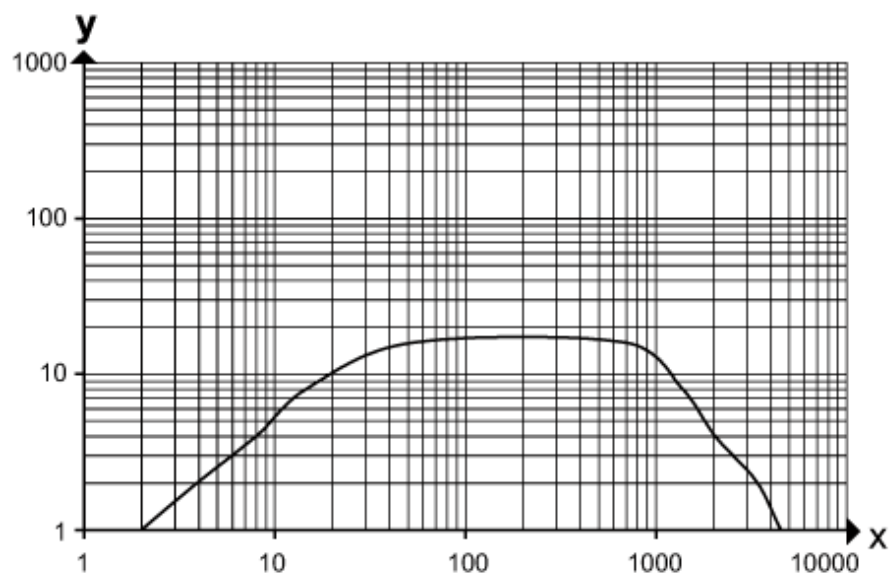


Retro-reflective sensor

OGP-DNKG/US

Diagrams and graphs

excess gain graph



x: distance [mm]

y: excess gain factor