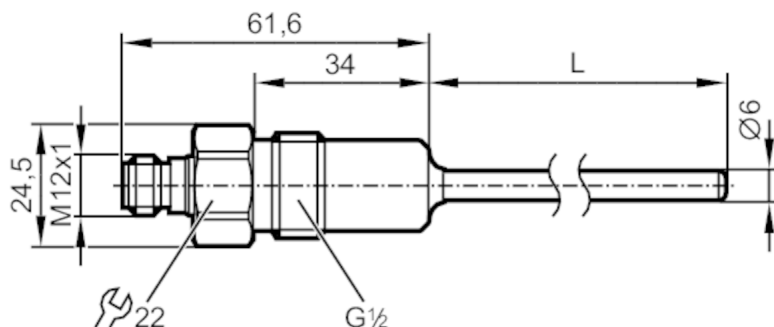


# TM4591



## Temperature sensor with process connection

TM-020KFER12- /US/



L = probe length corresponds to installation length EL



Product characteristics		
Measuring range	-40...150 °C	-40...302 °F
Process connection	threaded connection G 1/2 sealing cone	
Installation length EL [mm]	20	
Application		
Special feature	Gold-plated contacts	
Measuring element	1 x Pt 100; (to DIN EN 60751, class A)	
Media	liquids and gases	
Pressure rating [bar]	160	
Note on pressure rating	sensor	
Minimum installation depth [mm]	15	
When mounted in adapters the specifications of the adapter data sheet apply.		
Electrical data		
Protection class	III	
Measuring/setting range		
Probe length L [mm]	20	
Measuring range	-40...150 °C	-40...302 °F
Accuracy / deviations		
Accuracy [K]	± (0,15 K + 0,002 x  t )	
Response times		
Dynamic response T05 / T09 [s]	1 / 3; (to DIN EN 60751)	
Operating conditions		
Ambient temperature [°C]	-25...80	
Storage temperature [°C]	-40...100	
Protection	IP 68; IP 69K	
Tests / approvals		
Shock resistance	DIN EN 60068-2-27	50 g (11 ms)
Vibration resistance	DIN EN 60068-2-6	10 g (10...2000 Hz)
MTTF [years]	22831.05	

# TM4591



## Temperature sensor with process connection

TM-020KFER12- /US/

Mechanical data	
Weight [g]	132
Materials	stainless steel (1.4404 / 316L)
Materials (wetted parts)	stainless steel (1.4404 / 316L) electropolished
Tightening torque [Nm]	30...50
Process connection	threaded connection G 1/2 sealing cone
Surface characteristics Ra/Rz of the wetted parts	Ra: < 0.8
Probe diameter [mm]	6
Installation length EL [mm]	20

Remarks	
Remarks	operating voltage "supply class 2" according to cULus The values for accuracy apply to flowing water.
Pack quantity	1 pcs.

### Electrical connection

Connector: 1 x M12; Contacts: gold-plated



### Connection

