



COMPACT SWITCH 30MM WIDE WITH M12 CONNECTOR SNAP-ACTION CONTACTS 1NO+1NC TWIST LEVER, SPECIAL CUSTOMIZED DESIGN

Product designation	compact switch	
General technical data:		
Product function		Yes
<ul style="list-style-type: none"> • positive opening 		
Insulation voltage		
<ul style="list-style-type: none"> • Rated value 	V	400
Degree of pollution		3
Shock resistance		30g / 11 ms
Vibration resistance		0.35 mm / 5g
Surge voltage resistance Rated value	kV	4
Mechanical service life (switching cycles)		
<ul style="list-style-type: none"> • typical 		5 000 000
Electrical endurance (switching cycles)		
<ul style="list-style-type: none"> • at AC-15 at 230 V typical 		100 000
Electrical endurance (switching cycles) with contactor 3RH11, 3RT1016, 3RT1017, 3RT1024, 3RT1025, 3RT1026 typical		500 000
Electrical operating cycles in one hour with contactor 3RH11, 3RT1016, 3RT1017, 3RT1024, 3RT1025, 3RT1026		1 800
Thermal current	A	10
Material of the enclosure of the switch head		metal
Protection class IP		IP67
Equipment marking		
<ul style="list-style-type: none"> • acc. to DIN EN 61346-2 • acc. to DIN EN 81346-2 		B B

Active principle		mechanical
Repeat accuracy	mm	0.05
Explosion protection category for dust		none
Explosion protection category for gas		none
Minimum actuating torque in activation direction	N·m	0.2
Operating current at AC-15		
• at 230 V Rated value	A	3
Operating current		
• at DC-13 at 125 V Rated value	A	0.55

Enclosure:

Design of the housing		block
Material of the enclosure		metal
Coating of the enclosure		painted
Design of the housing acc. to standard		No

Drive Head:

Design of the operating mechanism		twist lever
Shape of the switch head		lever
Design of the switching function		snap-action contact

Connections/ Terminals:

Type of electrical connection		M12 plug, fixed, 5-pole
--------------------------------------	--	-------------------------

Mechanical data:

Design of plug-in connection		M12 connector, 5-pole: pin 1= terminal BK, pin 2= BK/WH, pin 3= BU, pin 4= BN, pin 5= GN/YE
-------------------------------------	--	---

Communication/ Protocol:

Design of the interface		without
--------------------------------	--	---------

Ambient conditions:

Ambient temperature		
• during operation	°C	-25 ... +85
• during storage	°C	-25 ... +85

Installation/ mounting/ dimensions:

mounting position		any
Mounting type		screw fixing

Certificates/ approvals:

General Product Approval	Declaration of Conformity	other
--------------------------	---------------------------	-------



[Confirmation](#)

Further information

Information- and Downloadcenter (Catalogs, Brochures,...)

<http://www.siemens.com/industrial-controls/catalogs>

Industry Mall (Online ordering system)

<http://www.siemens.com/industrymall>

Cax online generator

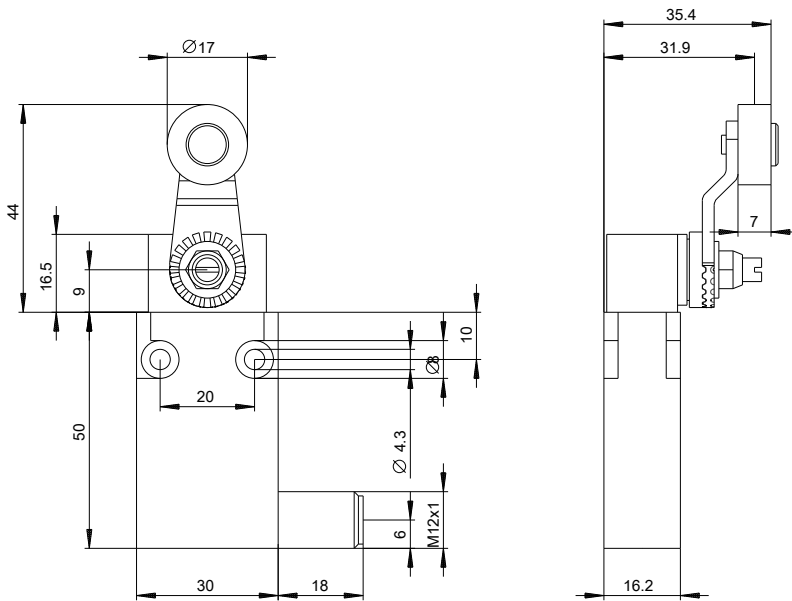
<http://support.automation.siemens.com/WW/CAXorder/default.aspx?lang=en&mlfb=3SE54130CN201EB1>

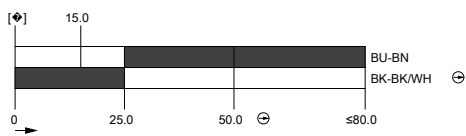
Service&Support (Manuals, Certificates, Characteristics, FAQs,...)

<http://support.automation.siemens.com/WW/view/en/3SE54130CN201EB1/all>

Image database (product images, 2D dimension drawings, 3D models, device circuit diagrams, EPLAN macros, ...)

http://www.automation.siemens.com/bilddb/cax_de.aspx?mlfb=3SE54130CN201EB1&lang=en





last modified:

09.03.2015