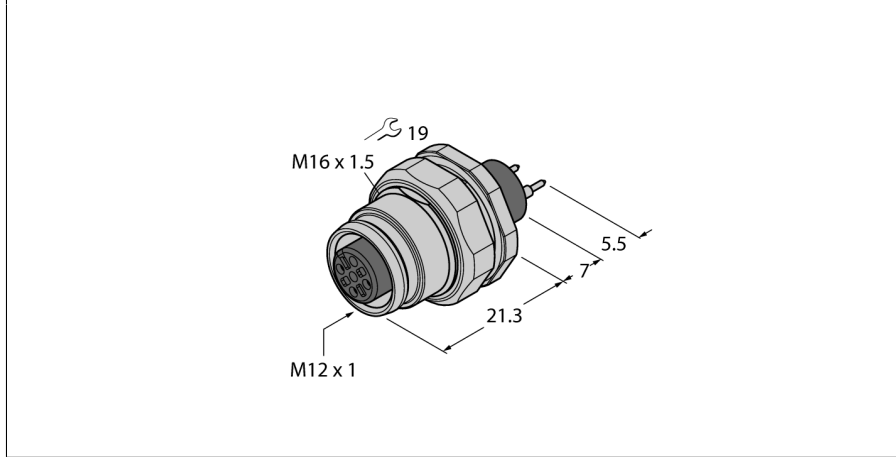
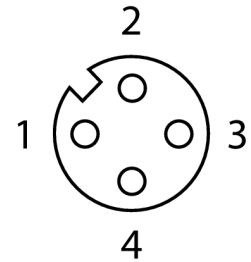


**Accessories for actuator/sensor cables**  
**female flange with print contacts, rear-mounted**  
**EC-FKFD4-P/16**



- M12 ⌀ 1 female receptacle
- Protection class IP67
- Rear-mounted
- Connected via print contacts

**Pin Assignment**



<b>Type designation</b>	EC-FKFD4-P/16
Ident no.	6934576

<b>Connector A side</b>	Female receptacle, M12 ⌀ 1, Straight
Number of pins	4
Contacts	Brass, CuZn, Gold-plated
Contact carriers	Plastic, TPU, Black
Flange housing	Brass, CuZn, nickel-plated
Seal	Plastic, FPM/FKM
Screw-in thread seal	plastic, NBR
Screw-in thread	M16x1.5
Connection mode	Print contact
Mechanical lifespan	> 100 Mating cycles
Pollution degree	3
Protection class	IP67, (screwed together)

<b>Electrical features at +20 °C</b>	
Rated voltage	250 V
Current	4 A
Insulation resistance	≥ 10 <sup>8</sup> Ω
Forward resistance	≤ 5 mΩ

<b>Mechanical and chemical properties</b>	
Ambient temperature	
Stationary	-30...+90°C

