

Block assembly kit, Series NL2-MBR-...-W04



Weight

0.044 lbs

Technical data

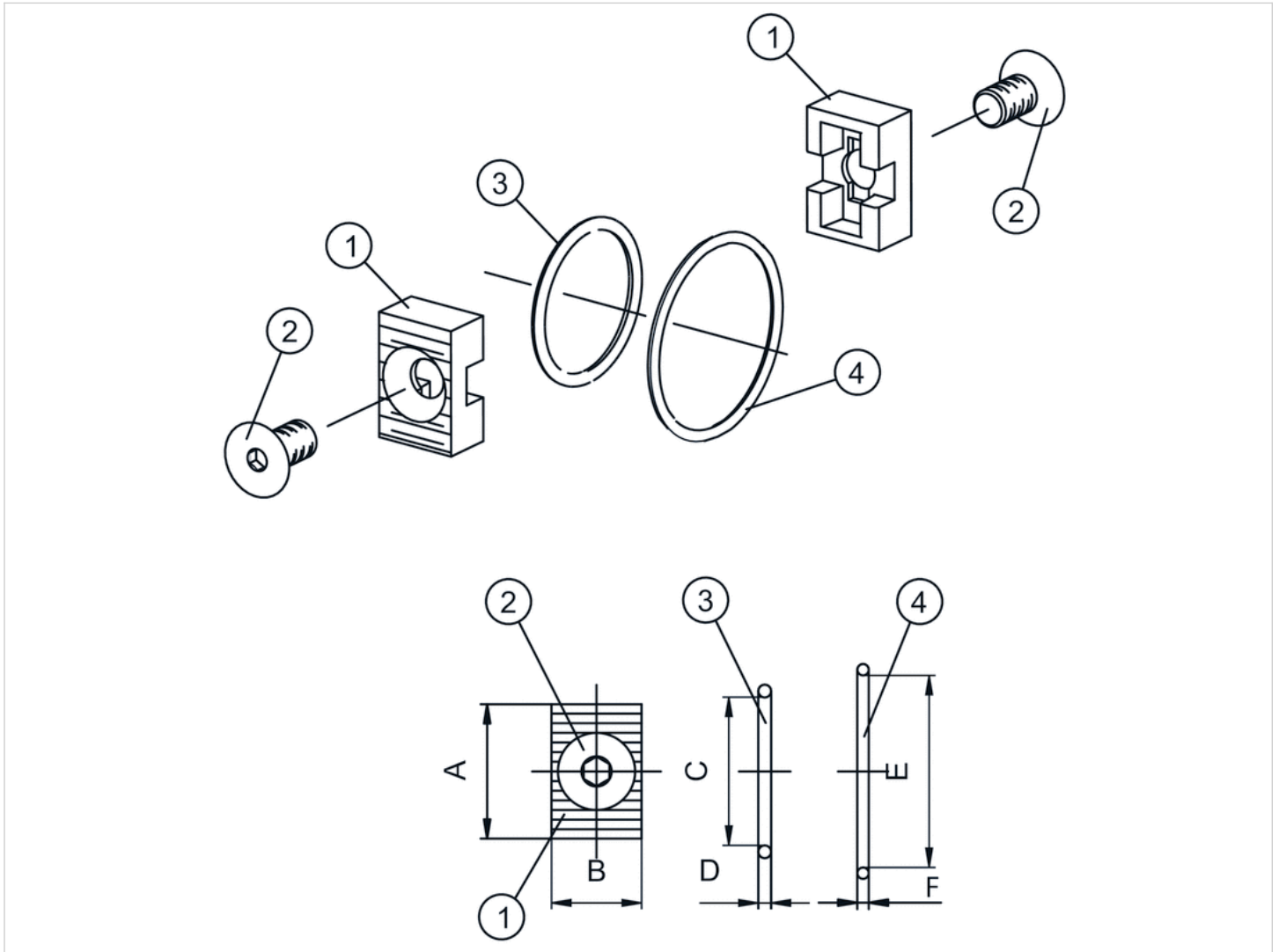
Part No.

1827009359

Scope of delivery: 2 clamp mountings, 2 screws ISO 10642 M6x10-8.8, 2 O-rings

Suitable for use in Ex zones 1, 2, 21, 22.

Dimensions



1) clamp mounting 2) screw 3) O-ring 4) O-ring

Dimensions

Part No.	A	B	C	D	E	F
1827009359	14.8	12.7	15.6	1.78	19.22	1.78