

# METAL GUARDS

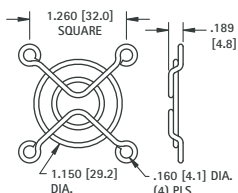
Made of high quality steel wire which combines strength with superior forming. The units offer clean, strong butt welds with minimum flash and have consistent guard diameters to enhance maximum air-flow and venting.

- Available for most popular size fans
- Protects fingers as well as fan blades
- Same mounting hole pattern as standard fans
- Chrome Plate offers a high luster finish



**MATERIAL:** Steel, Nickel Chrome Plate

### FITS 1.50" (40mm) FANS

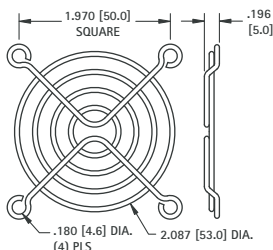


#### CONSTRUCTION

Rings: .063 (1.60) wire diameter  
Ribs: .063 (1.60) wire diameter

**CAT. NO. 8447**

### FITS 2.50" (60mm) FANS

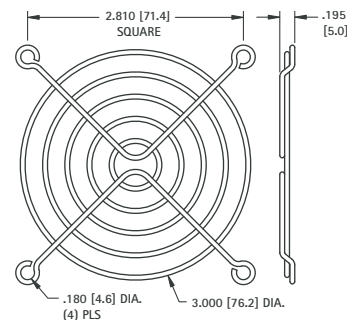


#### CONSTRUCTION

Rings: .063 (1.60) wire diameter  
Ribs: .063 (1.60) wire diameter

**CAT. NO. 8449**

### FITS 3.12" (80mm) FANS

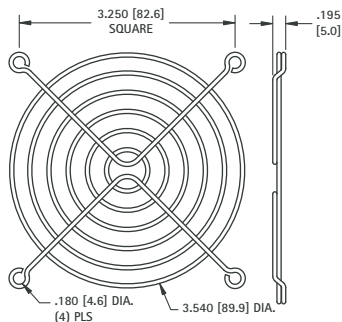


#### CONSTRUCTION

Rings: .063 (1.60) wire diameter  
Ribs: .063 (1.60) wire diameter

**CAT. NO. 8450**

### FITS 3.62" (92mm) FANS

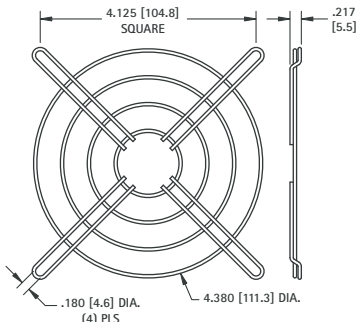


#### CONSTRUCTION

Rings: .063 (1.60) wire diameter  
Ribs: .063 (1.60) wire diameter

**CAT. NO. 8451**

### FITS 4.50" (120mm) FANS

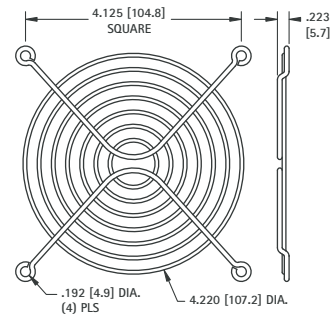


#### CONSTRUCTION

Rings: .063 (1.60) wire diameter  
Ribs: .063 (1.60) wire diameter

**CAT. NO. 8448**

### FITS 4.50" (120mm) FANS

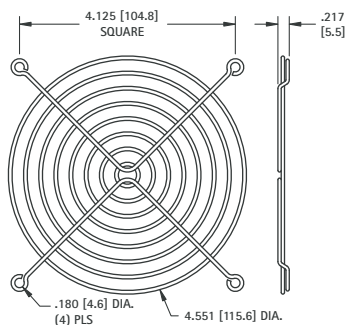


#### CONSTRUCTION

Rings: .071 (1.80) wire diameter  
Ribs: .091 (2.31) wire diameter

**CAT. NO. 8452**

### FITS 4.50" (120mm) FANS

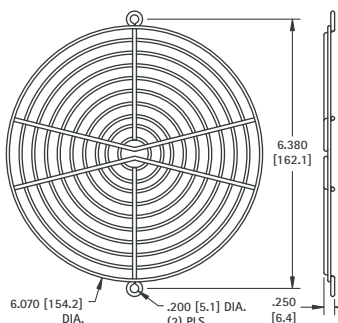


#### CONSTRUCTION

Rings: .071 (1.80) wire diameter  
Ribs: .071 (1.80) wire diameter

**CAT. NO. 8453**

### FITS 6.00" (150mm) FANS

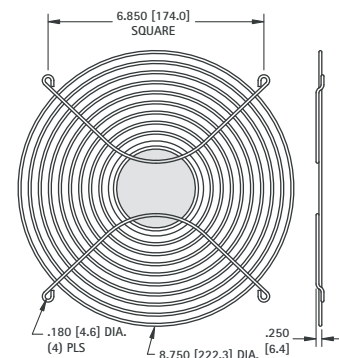


#### CONSTRUCTION

Rings: .071 (1.80) wire diameter  
Ribs: .091 (2.31) wire diameter

**CAT. NO. 8455**

### FITS 10.00" (250mm) FANS



#### CONSTRUCTION

Rings: .091 (2.31) wire diameter  
Ribs: .091 (2.31) wire diameter

**CAT. NO. 8457**