

Threaded Nut

for Linear Actuators



ORDER IDENTIFIER



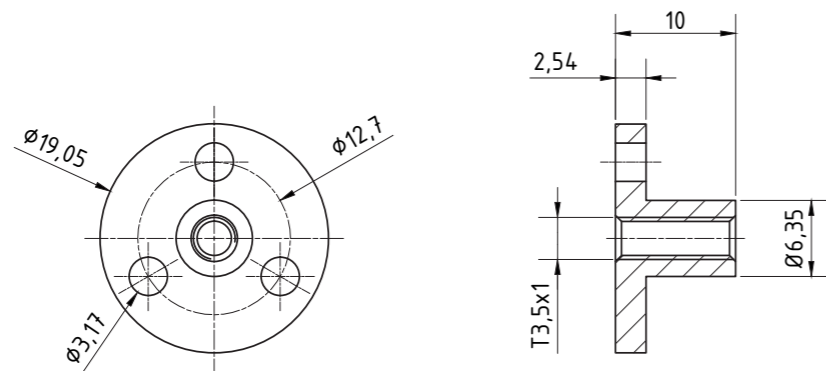
LSNUT-T3,5X1

VERSIONS

Type	Suitable for
LSNUT-T3,5X1	L.....T3.5x1
LSNUT-T5X2-F	L.....T5x2
LSNUT-T5X5-F	L.....T5x5
LSNUT-T6X1-F	L.....T6x1
LSNUT-T6X2-F	L.....T6x2
LSNUT-T10X2-F	L.....T10x2
LSNUT-T10X6-F	L.....T10x6
LSNUT-ZERO6X2	L.....T6x2
LSNUT-ZERO6X1	L.....T6x1
LSNUT-ZERO5X5	L.....T5x5
LSNUT-ZERO3,5X1	L.....T3.5x1

DIMENSIONS (IN MM)

LSNUT-T3.5x1

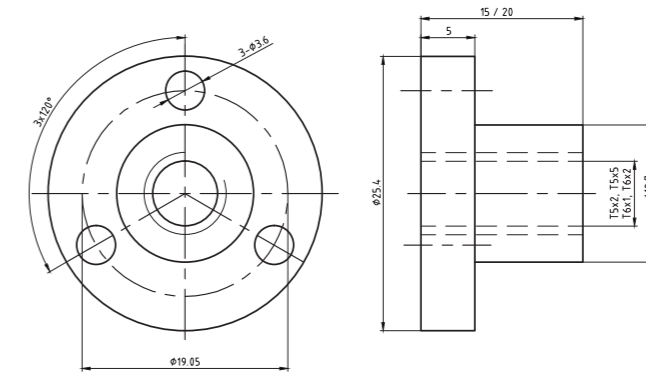


Threaded Nut

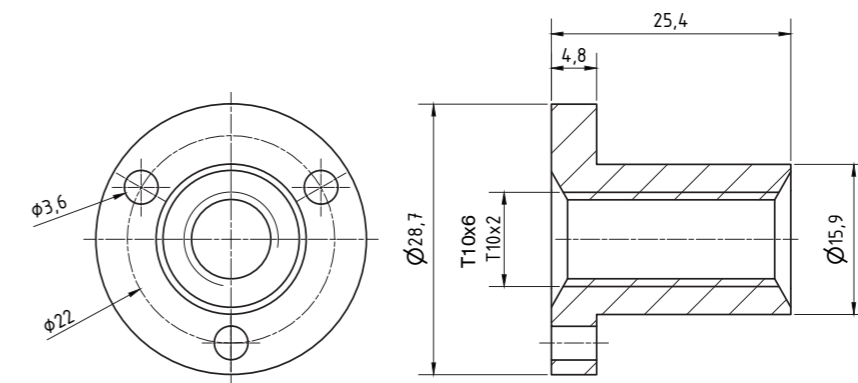
for Linear Actuators

DIMENSIONS (IN MM)

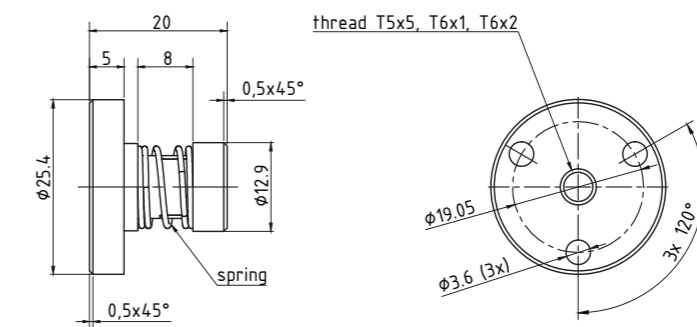
LSNUT-T5X2F/-T5X5-F/-T6X1-F/-T6X2-F



LSNUT-T10X2-F/-10X6-F

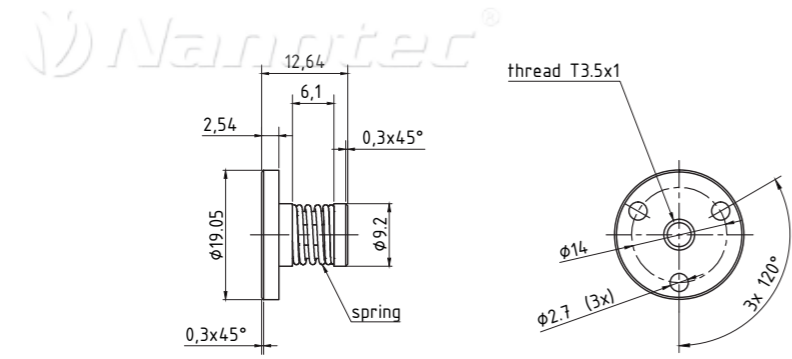


LSNUT-ZERO5X5/-6X1/-6X2



DIMENSIONS (IN MM)

LSNUT-ZERO3.5x1



Notes section with horizontal lines for text entry.