

Sterngriffe Kunststoff DIN 6336

Artikelbeschreibung/Produktabbildungen



Beschreibung

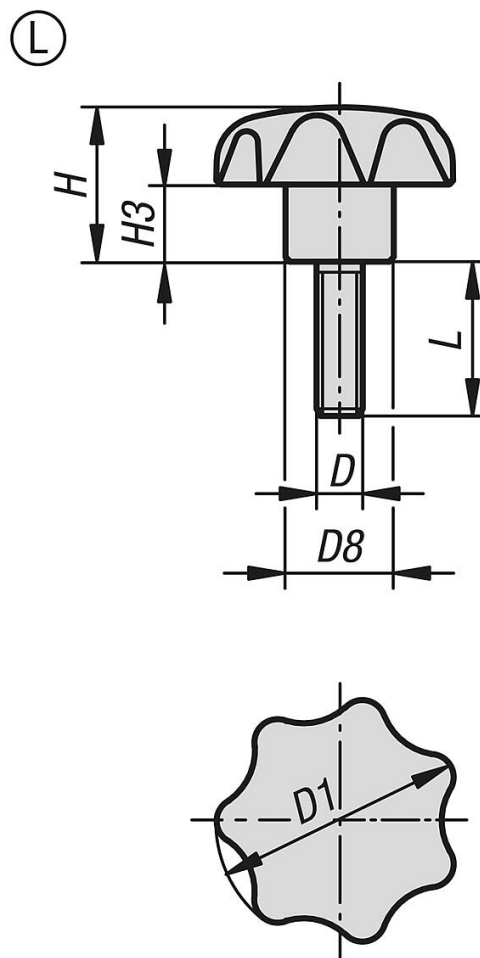
Werkstoff:

Thermoplast schwarz, Gewindebolzen Stahl.

Ausführung:

Gewindebolzen verzinkt, blau passiviert.

Zeichnungen



Artikelübersicht

Sterngriffe Kunststoff DIN 6336

Bestellnummer	Form	D	D1	D8	H	H3	L
K1848.42505X10	L	M5	25	12	16	8	10
K1848.42505X15	L	M5	25	12	16	8	15
K1848.42505X20	L	M5	25	12	16	8	20
K1848.42505X25	L	M5	25	12	16	8	25
K1848.42505X30	L	M5	25	12	16	8	30

Artikelübersicht

Bestellnummer	Form	D	D1	D8	H	H3	L
K1848.42505X35	L	M5	25	12	16	8	35
K1848.42505X40	L	M5	25	12	16	8	40
K1848.42505X45	L	M5	25	12	16	8	45
K1848.42505X50	L	M5	25	12	16	8	50
K1848.42505X60	L	M5	25	12	16	8	60
K1848.42506X10	L	M6	25	12	16	8	10
K1848.42506X15	L	M6	25	12	16	8	15
K1848.42506X20	L	M6	25	12	16	8	20
K1848.42506X25	L	M6	25	12	16	8	25
K1848.42506X30	L	M6	25	12	16	8	30
K1848.42506X35	L	M6	25	12	16	8	35
K1848.42506X40	L	M6	25	12	16	8	40
K1848.42506X45	L	M6	25	12	16	8	45
K1848.42506X50	L	M6	25	12	16	8	50
K1848.42506X60	L	M6	25	12	16	8	60
K1848.43206X10	L	M6	32	14	20	10	10
K1848.43206X15	L	M6	32	14	20	10	15
K1848.43206X20	L	M6	32	14	20	10	20
K1848.43206X25	L	M6	32	14	20	10	25
K1848.43206X30	L	M6	32	14	20	10	30
K1848.43206X35	L	M6	32	14	20	10	35
K1848.43206X40	L	M6	32	14	20	10	40
K1848.43206X45	L	M6	32	14	20	10	45
K1848.43206X50	L	M6	32	14	20	10	50
K1848.43206X60	L	M6	32	14	20	10	60
K1848.43208X15	L	M8	32	14	20	10	15
K1848.43208X20	L	M8	32	14	20	10	20
K1848.43208X25	L	M8	32	14	20	10	25
K1848.43208X30	L	M8	32	14	20	10	30
K1848.43208X35	L	M8	32	14	20	10	35
K1848.43208X40	L	M8	32	14	20	10	40
K1848.43208X45	L	M8	32	14	20	10	45
K1848.43208X50	L	M8	32	14	20	10	50
K1848.43208X60	L	M8	32	14	20	10	60
K1848.44008X15	L	M8	40	18	25	13	15
K1848.44008X20	L	M8	40	18	25	13	20
K1848.44008X25	L	M8	40	18	25	13	25
K1848.44008X30	L	M8	40	18	25	13	30
K1848.44008X35	L	M8	40	18	25	13	35
K1848.44008X40	L	M8	40	18	25	13	40
K1848.44008X45	L	M8	40	18	25	13	45
K1848.44008X50	L	M8	40	18	25	13	50
K1848.44008X60	L	M8	40	18	25	13	60
K1848.44010X15	L	M10	40	18	25	13	15
K1848.44010X20	L	M10	40	18	25	13	20
K1848.44010X25	L	M10	40	18	25	13	25
K1848.44010X30	L	M10	40	18	25	13	30
K1848.44010X35	L	M10	40	18	25	13	35
K1848.44010X40	L	M10	40	18	25	13	40
K1848.44010X45	L	M10	40	18	25	13	45
K1848.44010X50	L	M10	40	18	25	13	50
K1848.44010X60	L	M10	40	18	25	13	60
K1848.45010X15	L	M10	50	22	32	17	15
K1848.45010X20	L	M10	50	22	32	17	20
K1848.45010X25	L	M10	50	22	32	17	25
K1848.45010X30	L	M10	50	22	32	17	30
K1848.45010X35	L	M10	50	22	32	17	35
K1848.45010X40	L	M10	50	22	32	17	40
K1848.45010X45	L	M10	50	22	32	17	45
K1848.45010X50	L	M10	50	22	32	17	50
K1848.45010X60	L	M10	50	22	32	17	60
K1848.45012X15	L	M12	50	22	32	17	15

Artikelübersicht

Bestellnummer	Form	D	D1	D8	H	H3	L
K1848.45012X20	L	M12	50	22	32	17	20
K1848.45012X25	L	M12	50	22	32	17	25
K1848.45012X30	L	M12	50	22	32	17	30
K1848.45012X35	L	M12	50	22	32	17	35
K1848.45012X40	L	M12	50	22	32	17	40
K1848.45012X45	L	M12	50	22	32	17	45
K1848.45012X50	L	M12	50	22	32	17	50
K1848.45012X60	L	M12	50	22	32	17	60