

Datasheet - AZ 15/16-B3

Safety switch with separate actuator / AZ 15 / Actuator



- For very small actuating radii at 90° to the plane of the actuator



(Minor differences between the printed image and the original product may exist!)

Ordering details

Product type description	AZ 15/16-B3
Article number	1095550
EAN code	4030661104126

Global Properties

Product name	Beweglicher Betätiger AZ 15/16-B3
Weight	16 g

Mechanical data

Design of actuators	angled, flexible
Minimum actuating radius	32 mm

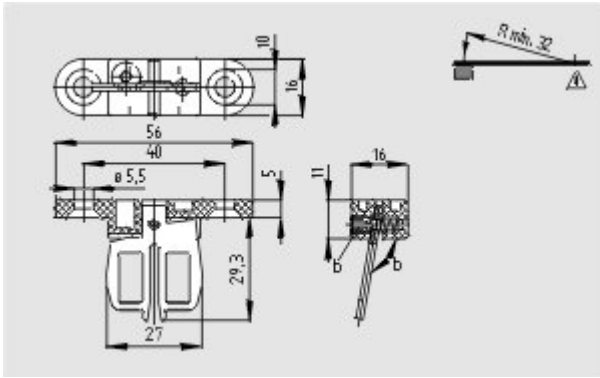
notice

Actuating radius adjustable, minimum 32 mm, using an hexagonal key wrench 2,5 mm (b) A/F
The axis of the hinge should be 11 mm above the top edge of the safety switch and in the same plane

Documents

Mounting and wiring instructions (de, en, fr, it, es, jp) 267 kB, 29.08.2006
http://127.0.0.1/Bilddata/AZ/Pdf/Az15_16/montage/m_z15p02.pdf

Images



Dimensional drawing (miscellaneous)

K.A. Schmersal GmbH, Möddinghofe 30, D-42279 Wuppertal

The data and values have been checked thoroughly. Technical modifications and errors excepted.

Generiert am 21.04.2011 - 13:45:44h Kasbase 1.4.7 DBI