

# Cable Economiser

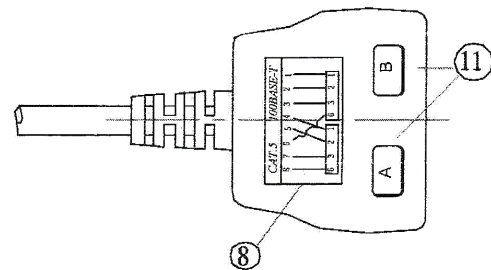
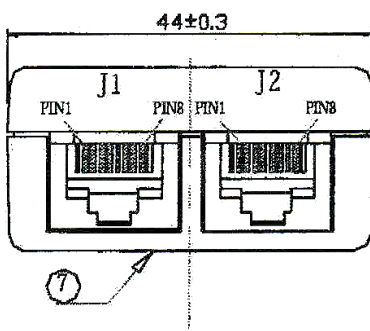
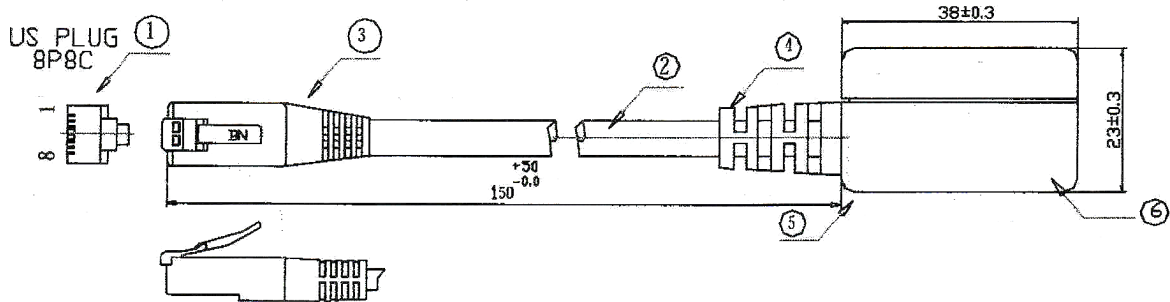
## Voice / Voice

pro-SIGNAL



### Specifications:

Connector Type A	: Voice
Connector Type B	: Voice
Cable Assembly Type	: Network Cables
Cable Length - Imperial	: 5.91"
Cable Length - Metric	: 150mm
Jacket Colour	: Grey
Conductor Size	: 24AWG



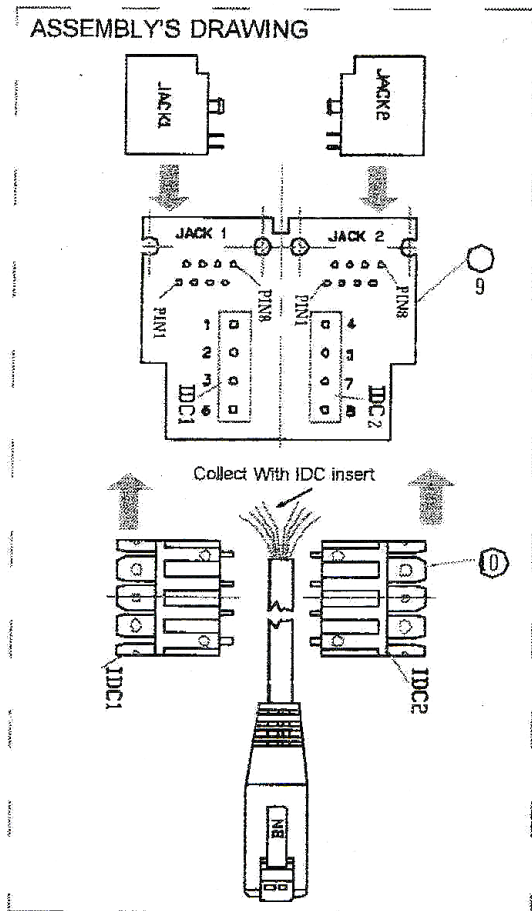
Dimensions : Millimetres

pro-SIGNAL

# Cable Economiser

## Voice / Voice

pro-SIGNAL



No	Name	Material	Specification	Qty	
1	Plug	PC	US Plug 8P8C BN Mark	1	
2	Cable	PVC	CAT 5e 24AWG	1	
3	Modrling (1)	PVC	Black	1	
4	Modrling (2)	PVC	Black	1	
5	112 Upper	ABS	Black Upper	1	
6	112 Bottom	ABS	Black Bottom	1	
7	RJ45 Jack	PBT	10P8C	2	
8	Label	-	24mm × 14mm	1	
9	PCB	FR-4	1.6mm	1	
10	IDC	IDC Housing	ABS	4 Pin	2
		IDC Insert	Cu	-	8
11	Label	A	-	5.6mm × 9.6mm	1
		B	-	5.6mm × 9.6mm	1

Wiring			
Colour	US Plug	Jack 1	Jack 2
White/Orange	1	4	
Orange	2	5	
White/Green	3		3
Blue	4		4
White/Blue	5		5
Green	6		6
White/Brown	7	3	
Brown	8	6	

### Part Number Table

Description	Part Number
Cable Economiser, Voice / Voice	ADF5

**Important Notice :** This data sheet and its contents (the "Information") belong to the members of the Premier Farnell group of companies (the "Group") or are licensed to it. No licence is granted for the use of it other than for information purposes in connection with the products to which it relates. No licence of any intellectual property rights is granted. The Information is subject to change without notice and replaces all data sheets previously supplied. The Information supplied is believed to be accurate but the Group assumes no responsibility for its accuracy or completeness, any error in or omission from it or for any use made of it. Users of this data sheet should check for themselves the Information and the suitability of the products for their purpose and not make any assumptions based on information included or omitted. Liability for loss or damage resulting from any reliance on the Information or use of it (including liability resulting from negligence or where the Group was aware of the possibility of such loss or damage arising) is excluded. This will not operate to limit or restrict the Group's liability for death or personal injury resulting from its negligence. pro-SIGNAL is the registered trademark of the Group. © Premier Farnell plc 2012.

www.element14.com  
 www.farnell.com  
 www.newark.com  
 www.cpc.co.uk

pro-SIGNAL