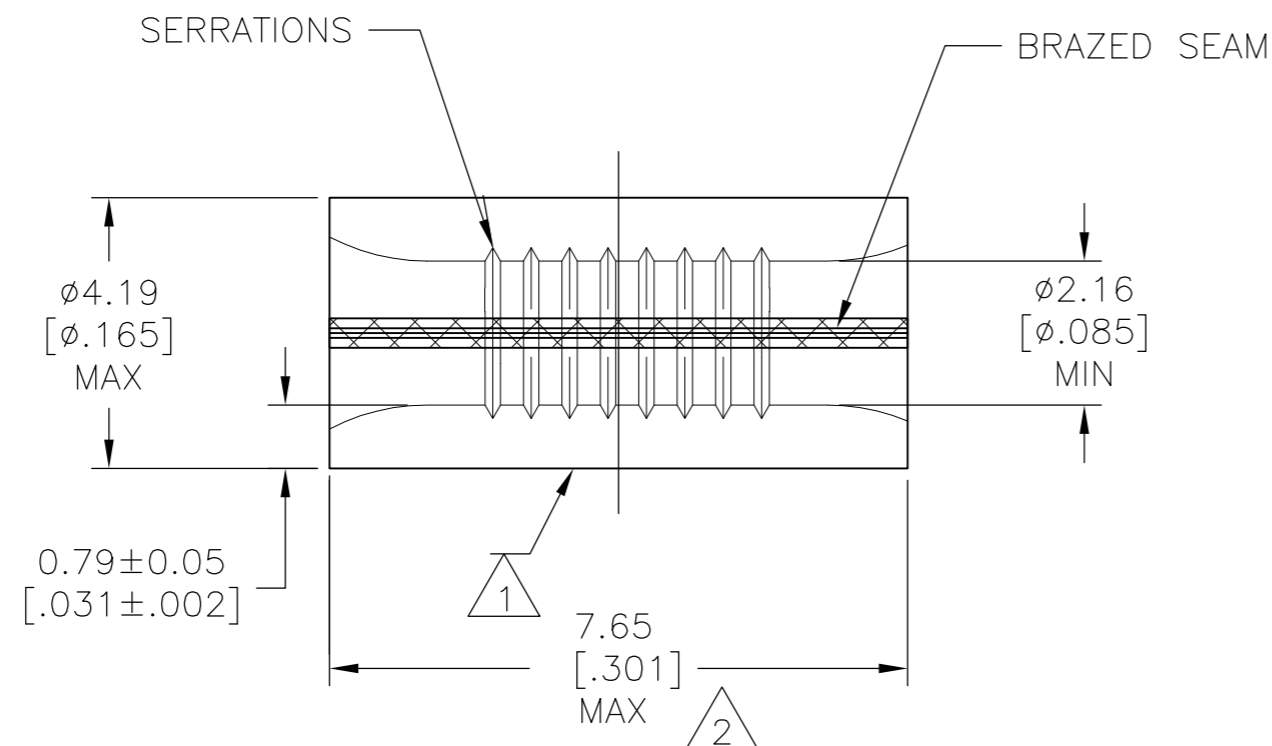
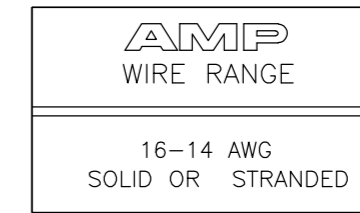


THIS DRAWING IS UNPUBLISHED. RELEASED FOR PUBLICATION
 © COPYRIGHT - By - ALL RIGHTS RESERVED.

LOC	DIST	REVISIONS					
		P	LTR	DESCRIPTION	DATE	DWN	APVD
G	14		N1	REVISED PER ECO-11-011757	08JUN11	HMR	DR



- 1 STAMP AMP 16-14* APPROX AS SHOWN
- 2 MAXIMUM LENGTH DOES NOT INCLUDE MANUFACTURING TABS
- 3 MATERIAL: COPPER PER ASTM B-152 ANNEALED
- 4 FINISH: TIN PLATE 0.00254 [.000100] MIN EXT THK PER ASTM B-545
- 5 FINISH: TIN/LEAD (60/40) PLATE, 0.00254 [.000100] MIN EXT THK PER SAE-AMS-P-81728
- 6 GOLD PLATE 0.00254 [.000100] MIN EXT THK PER ASTM B488 TYPE1, CODE C OVER NICKEL PLATE 0.00127[.000050] MIN EXT THK PER SAE AMS QQ-N-290 OVER Cu FLASH PER SAE AMS 2418
- 7 UL LISTED E13288, 16-14 AWG SOLID OR STRANDED
- 8 CSA CERTIFIED LR7189, 16-14 AWG SOLID OR STRANDED
- 9 PRELIMINARY - NOT FOR PRODUCTION
- 10 GOLD PLATE 0.00127[.000050] MIN EXT THK PER ASTM B488, TYPE1, CODE C OVER NICKEL PLATE 0.00127[.000050] MIN EXT THK PER SAE AMS QQ-N-290 OVER Cu FLASH PER SAE AMS 2418

MAX TEMP	APPROVALS	FINISH	QTY	PACKAGE TYPE	PART NO
170°C	7 8	4	10	SEALED BAG	9 8-34137-5
170°C	7 8	4	100	LOOSE PIECE, BOX	8-34137-1
260°C	----	10	1000	LOOSE PIECE	34137-4
170°C	----	5	1000	LOOSE PIECE	34137-3
170°C	----	6	1000	LOOSE PIECE	34137-2
170°C	7 8	4	1000	LOOSE PIECE	34137

AMP INCORPORATED CUSTOMER SERVICE SYSTEMS		MAX RECOMMENDED OPERATING TEMPERATURE: SEE TABLE
FOR ADDITIONAL PRODUCT INFORMATION OR COPIES OF DRAWINGS AND TECHNICAL DOCUMENTS	PRODUCT INFORMATION CENTER 1-800-522-6752	VOLTAGE RATING: N/A
FOR APPLICATION TOOLING INFORMATION	TOOLING ASSISTANCE CENTER 1-800-722-1111	CIRCULAR MIL AREA: 1.04-2.62mm² [2,050-5,180] SOLID OR STRANDED
FOR ORDER ENTRY	1-800-526-5142	THIS DRAWING IS A CONTROLLED DOCUMENT FOR AMP INCORPORATED. IT IS SUBJECT TO CHANGE AND THE CONTROLLING ENGINEERING ORGANIZATION SHOULD BE CONTACTED FOR THE LATEST REVISION.

THIS DRAWING IS A CONTROLLED DOCUMENT.		DWN TA BRINKMAN 4-13-93	TE TE Connectivity			
DIMENSIONS: mm [INCHES]		CHK DA PATTERSON 4-13-93				
TOLERANCES UNLESS OTHERWISE SPECIFIED:		APVD DA PATTERSON 4-13-93	NAME SPLICE, PARALLEL, SOLISTRAND			
0 PLC ± - 1 PLC ± - 2 PLC ± - 3 PLC ± - 4 PLC ± - ANGLES ± -		PRODUCT SPEC -				
MATERIAL - 3	FINISH SEE TABLE	APPLICATION SPEC -	SIZE A2	CAGE CODE 00779	DRAWING NO C=34137	RESTRICTED TO -
CUSTOMER DRAWING			SCALE 10:1	SHEET 1 of 1	REV N1	

34137

A