

5

4

3

2

1

D

D

C

C

B

B

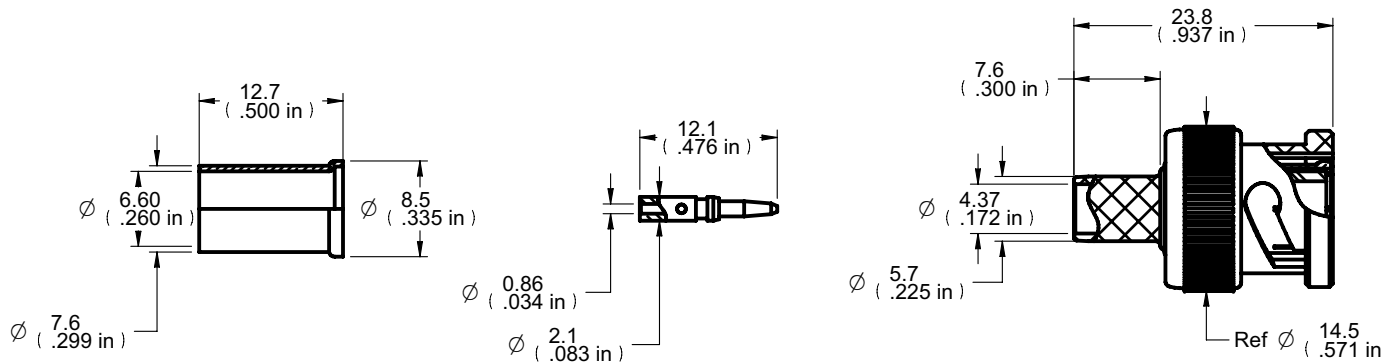
A

A



Description: Stright BNC Crimp Plug For RG59 Style Cable  
 Part No: CPMC882  
 Application: For Cable RG-59 Style  
 Crimp Tool: 24-8859P  
 Impedance: 50 Ohms  
 Fequency Range: 0-4 GHz  
 Material: Body Brass Nickel Plated  
 Contact Brass Gold Plated  
 Insulator PTFE  
 Crimp Sleeve Brass Nickel Plated  
 Coupling Nut Zinc Nickel Plated  
 RoHS Compliance: Yes  
 Technical Detail: Refer to Emerson Document P/N 27-0000

DRAWING NO.	
CPMC882-CUST	
REVISIONS	
01	OFFICAL RELEASE
	03-05-09 Z G B Y T
02	RELEASE FOR SUPPLIER ALTER
	07-27-11 Y G Y G M L <i>Lin Ma</i> 2011.07.28 14:50:44 -0800



**DIM OUTLINE**

受控 CONTROLLED DOCUMENT				
编号 P/N	CPMC882-CUST	版本 Rev	02	日期 Rel'd Date
				Aug4,11

TOLERANCE UNLESS OTHERWISE SPECIFIED		DRAWN BY YUGE HU	DATE 07-27-11
DECIMALS	mm	CHECKED BY YUGE HU	DATE 07-27-11
X	± 0.5	APPROVED BY LIN MA	DATE 07-27-11
X.X	± 0.3		
X.XX	± 0.1		
ANGLES	± 0.5°	U/M mm	



TITLE		
STRAIGHT BNC CRIMP PLUG FOR RG59 STYLE CABLE		
SHEET 1 OF 1	DRAWING NO. CPMC882-CUST	SIZE A

THIS DRAWING WAS PRODUCED BY COMPUTER, DO NOT SCALE DRAWING OR UPDATE MANUALLY.

**CUSTOMER COPY**

5

4

3

2

1