

# ABS H 95 T



Sample image

**Order symbol :** ABS H 95 T

**Product nr :** 8784015

**Description :** Enclosure, ABS

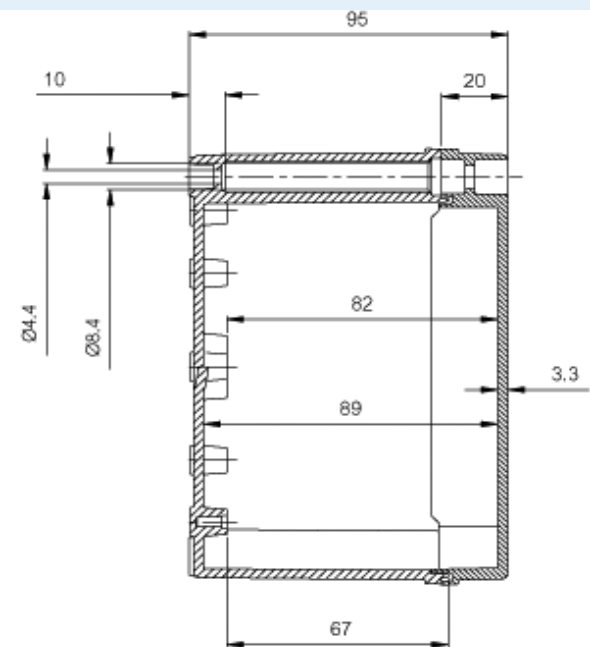
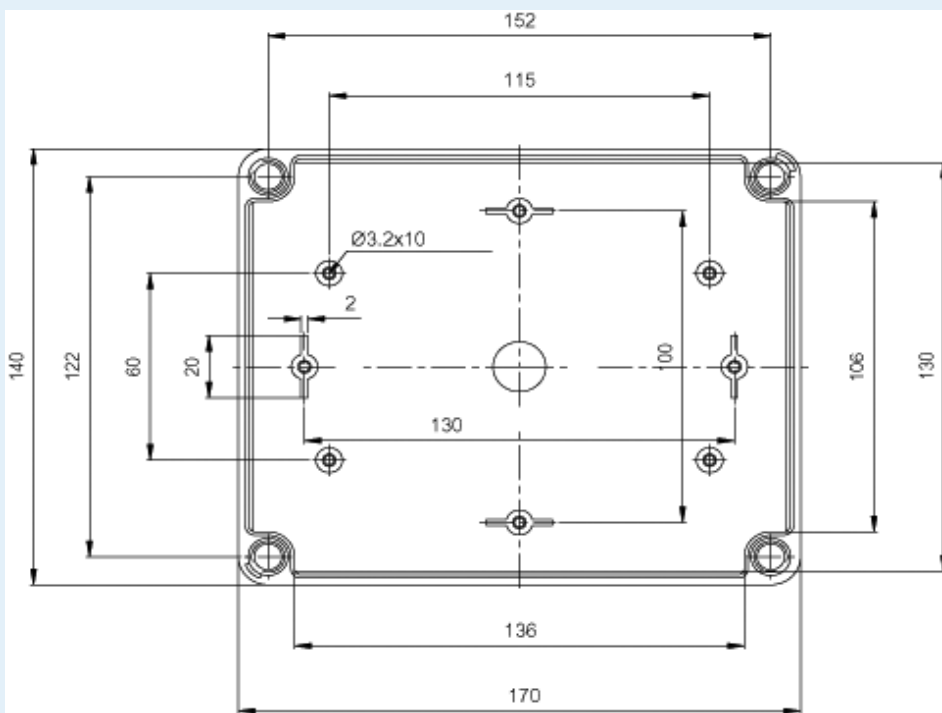
**Remarks :** Transparent cover

**Including :** Base with screws for mounting plate/DIN-rail. cover with PUR gasket and polyamide cover screws.

**EAN :** 6418074002280

**El. number :**

- Finland : 3423567
- Denmark : 8212001983
- Sweden : 2536756



Dimensions :	Height	Width	Depth
mm :	170	140	95
inch :	6.69	5.51	3.74

## Materials :

Material :	ABS
Base colour :	RAL 7035 -light grey

## Accessories :

CHM-3	DIN-35 Mounting rail, for enclosures: (110 x 35 x 1)
FP 22046	Wall fastening lug (4 pcs)
DH-3	DIN-35 Mounting rail, for enclosures: (140 x 35 x 1)
H-MP	Mounting plate, for enclosures: (125 x 94 x 1)

Gasket material : Polyurethane

**Temperatures :**

Temperature °C (short term) : -40 ... 80  
Temperature °F (short term) : -40 ... 175  
Temperature °F (continuous) : -40 ... 140

**Ratings :**

Ingress protection (EN 60529): IP66; IP67;  
Impact Resistance (EN 62262): IK08;  
electrical\_insulation : Totally insulated  
Halogen free (DIN/VDE 0472, Part 815) : Yes  
UV resistance : -  
Flammability Rating : UL 94 HB  
Glow Wire Test (IEC 695-2-1) °C : 650C

**Certificates :**

SGSFIMKO\_PICC\_pc