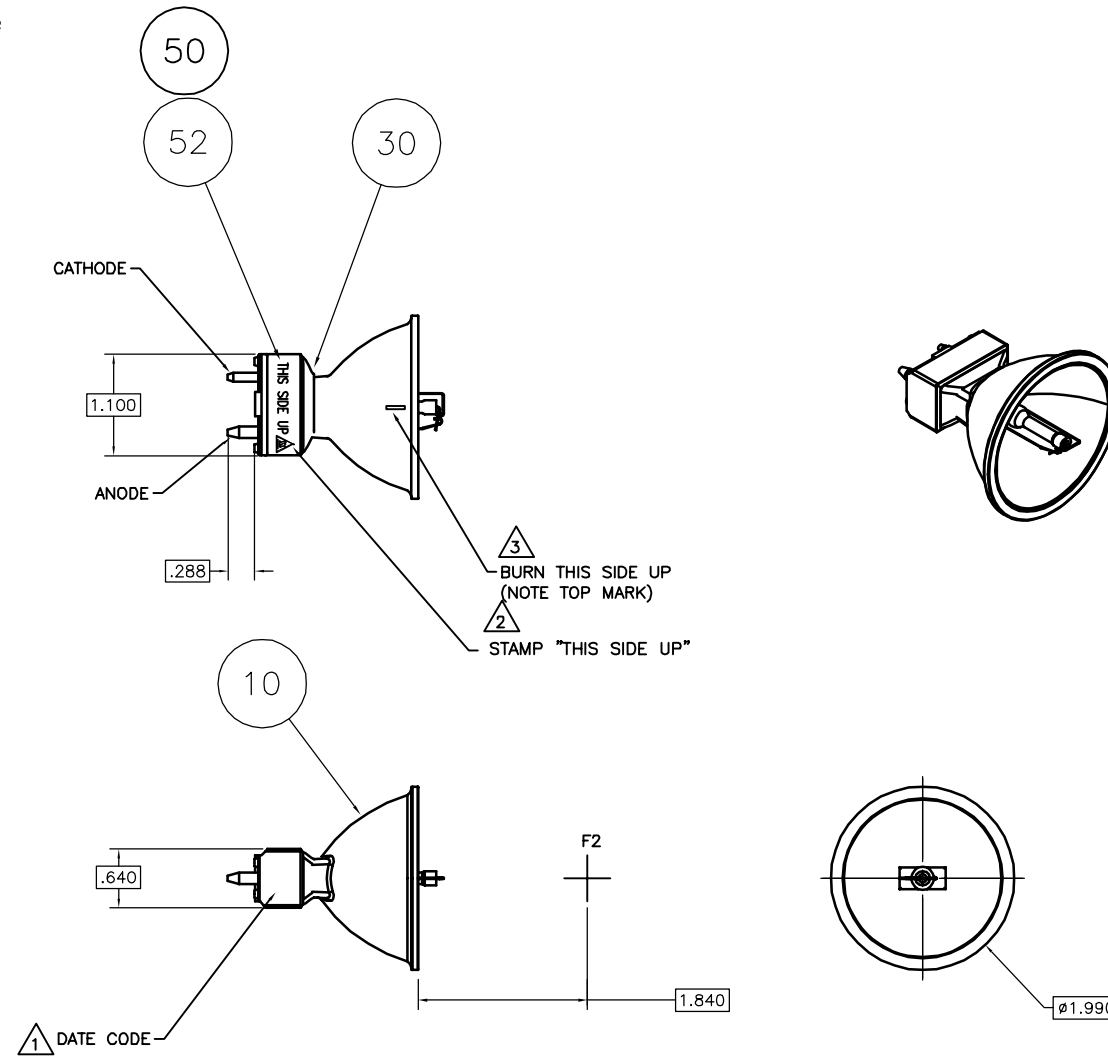
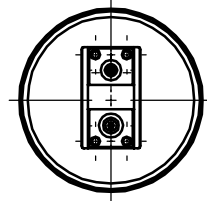


THESE DRAWINGS AND SPECIFICATIONS ARE THE PROPERTY OF WELCH ALLYN, INC. AND SHALL NOT BE REPRODUCED, OR COPIED, OR USED AS A BASIS FOR MANUFACTURE OR SALE OF EQUIPMENT OR DEVICES WITHOUT WRITTEN PERMISSION.

REV.	REVISION DESCRIPTION	ECN	INIT	DATE	APPROVAL
A	RELEASE TO PRODUCTION	0-952	CJR	10/2/03	CNS
B	CHANGE TITLE AND NOTE FOUR	1001282	CJR	25MAY04	DAB
C	ADD PREVIOUS ECO # & INITIALS	1002056	CJR	13SEP04	DAB



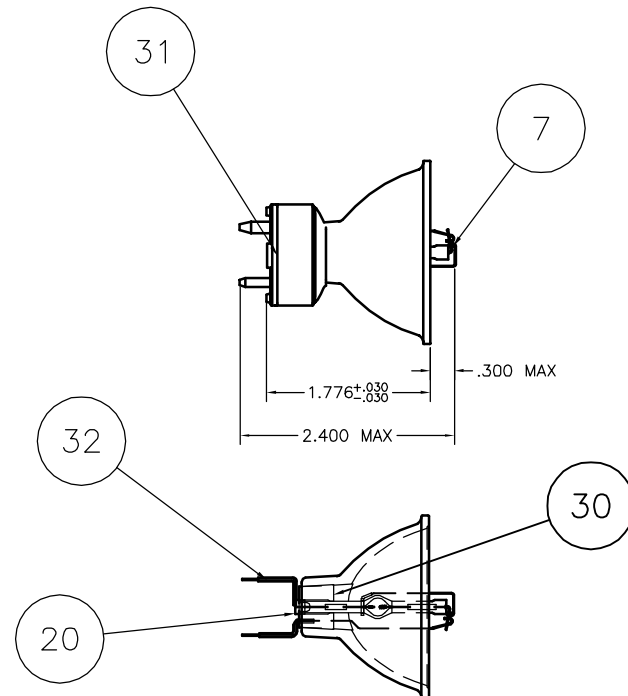
NOTES:

△ DATE CODE MARKED AND EASILY READABLE. TRACEABLE BACK TO ALL MANUFACTURING PARAMETERS.

△ ALL CHARACTERS TO BE WELL DEFINED AND LEGIBLE. COLOR: BLACK

△ LAMP IS SPECIFIED IN HORIZONTAL ORIENTATION. LAMP MAY BE OPERATED IN OTHER ORIENTATIONS, ALTHOUGH SOME VARIATION IN PERFORMANCE MAY OCCUR.

4. REFERENCE LAMP SPECIFICATION PAGE 2 AND 3, THIS DRAWING.



MATERIAL:		FINISH:		QTY	QTY	QTY	QTY	ITEM OR SYMBOL	PART NUMBER	DESCRIPTION	
UNLESS OTHERWISE SPECIFIED: DIMENSIONS IN mm (WHEN USED) ARE IN ().		UNLESS OTHERWISE SPECIFIED DIMENSIONS ARE IN INCHES		504	503	502	501			LIST OF MATERIAL	
DIMENSIONS INCLUDE PLATING. REMOVE BURRS & SHARP EDGES. THREADS ARE UNIFIED SERIES AND INCLUDE PLATING: EXTERNAL THDS = CLASS-2 A INTERNAL THDS = CLASS-2 B		TOLERANCES ON:		APPROVAL SIGNATURES				WELCH ALLYN, INC. SKANEATELES FALLS, N.Y. U.S.A.			
BASIC DIMENSION		.XX		.XXX		Drawn date		Approved date		TITLE:	
UP TO 6		± .02		± .005		CJR 10/22/03		J. FREGOE 9/29/03		50W M50E014 LAMP ASSY FINISHED	
6 TO 24		± .03		± .010		Checked date		Quality date		D DRAWING NO. S30245	
ABOVE 24		± .06		± .015		H. MEVEC 9/29/03		X. AGUIRRE 9/29/03		REV. C	
ANGLES: ± 1/2 DEGREE		DO NOT SCALE		Rel. for Prod. date		C. STEWART 10/2/03		SCALE 1:1		PAGE 1 OF 3	