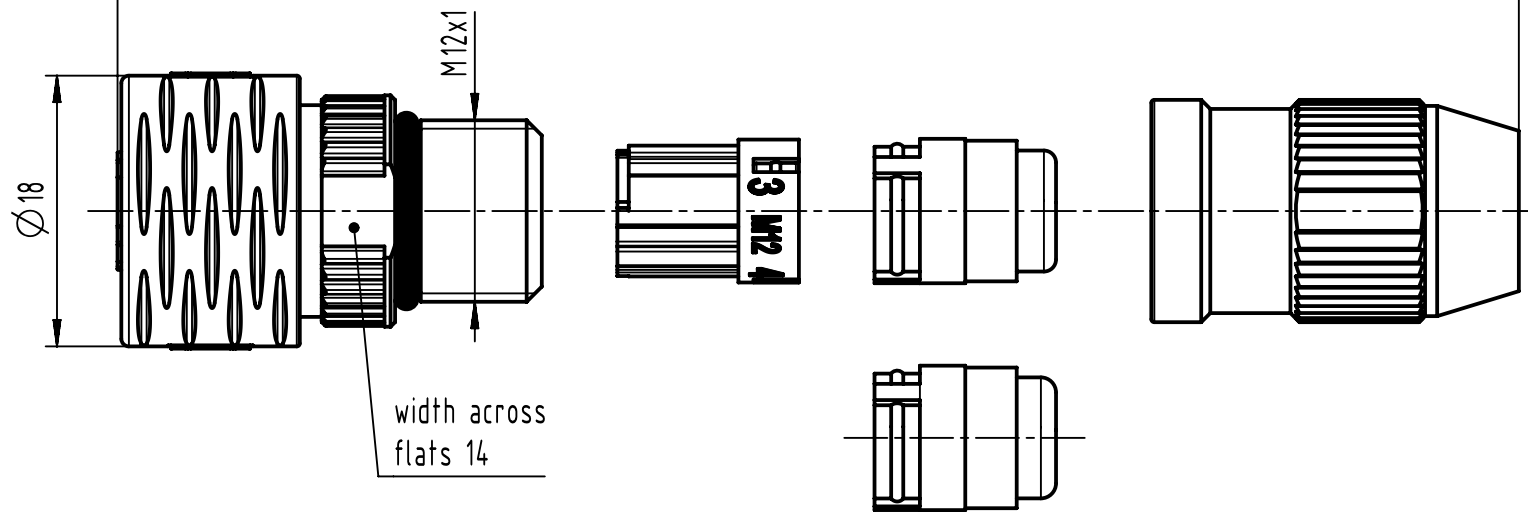


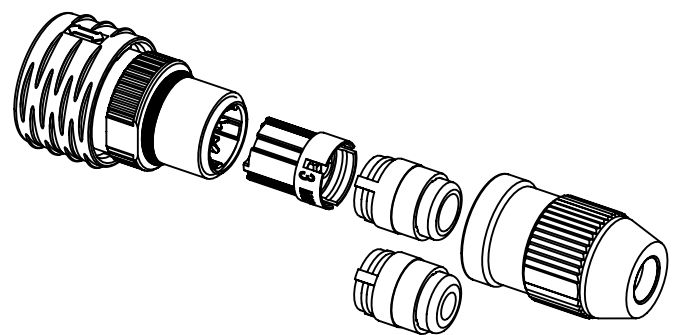
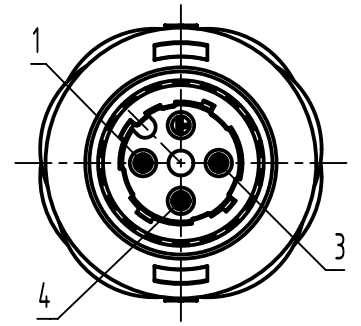
1 2 3 4 5 6

A
B
C
D

complete length when assembled app. 42,7mm



contact face
based on IEC 61-076-101



cable outside diameter	conductor cross section
2,9mm-5,1mm	AWG 26-22 0,14mm ² -0,34mm ²

	All Dimensions in mm Original Size DIN A4	Scale 2:1	Free size tol.		Ref.
	All rights reserved Department EL PD	Created by HASSE	Inspected by 104.125	Standardisation	Sub.
HARTING D-32339 Espelkamp	Title M12-S-PP-CC-IDC-3P-ACOD-F-STR			Date 2021-12-06	State Final Release
	Type TB	Number 21031112315		Doc-Key / ECM-Nr. 100906698/UGD/000/A 500000207464	Rev. A Page 1/1