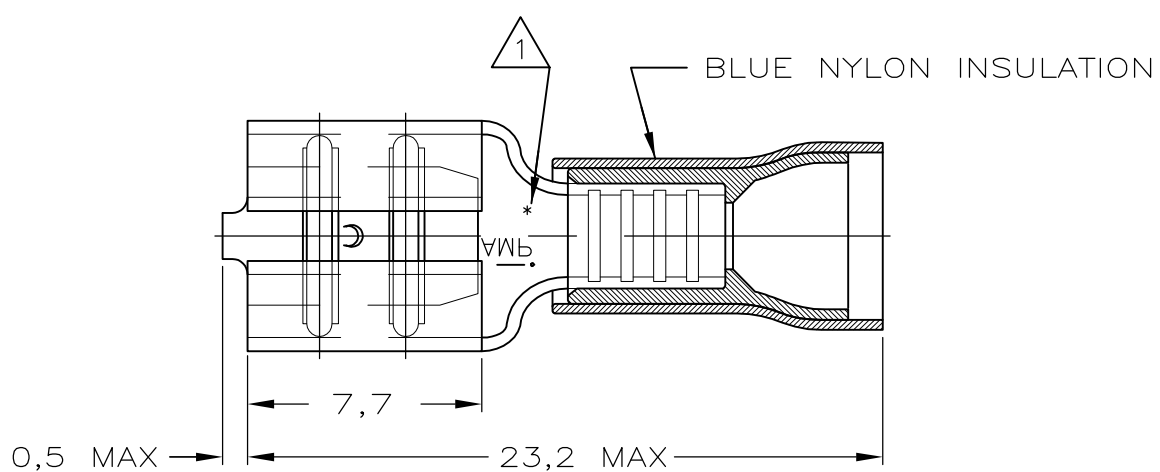


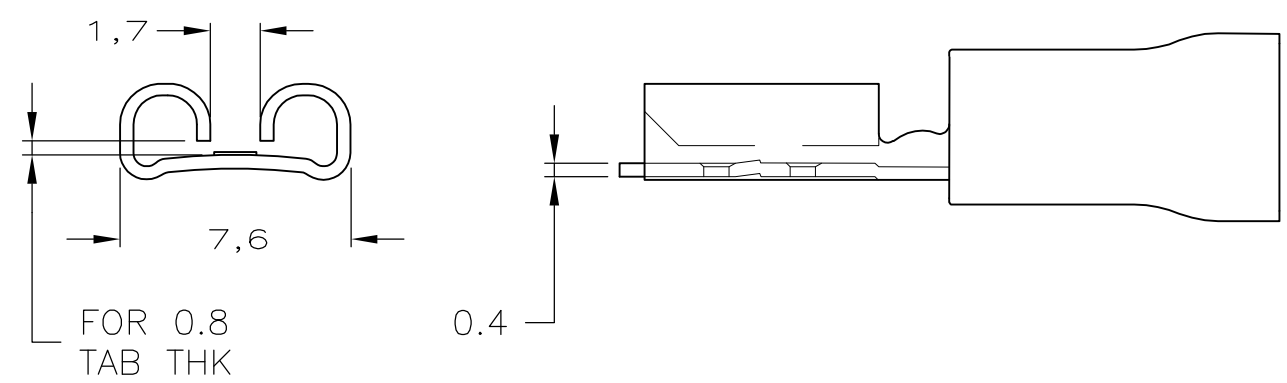
THIS DRAWING IS UNPUBLISHED. RELEASED FOR PUBLICATION
 © COPYRIGHT - By - ALL RIGHTS RESERVED.

| LOC | DIST | REVISIONS | | | | | |
|-----|------|-----------|-----|---------------------------|---------|-----|------|
| G | 86 | P | LTR | DESCRIPTION | DATE | DWN | APVD |
| | | | H3 | REVISED PER ECO-11-004820 | 11MAR11 | RK | HMR |



NOTES

- 1 ASTERISK * FOR PH.BRONZE VERSIONS ONLY.
- 2 WIRE RANGE: 1,0-2,6mm². INSUL. RANGE: 4,3mm MAX. DIA..
- 3 OBSOLETE WITHOUT REPLACEMENT



| PACKAGE TYPE | | FINISH | MATERIAL | PARTNUMBER |
|--------------|---|--------------|-----------|-------------------------|
| TAPE MOUNTED | 1 | GOLDPLATED | PH.BRONZE | 5-160313-7 3 |
| | 1 | SILVERPLATED | PH.BRONZE | 5-160313-6 3 |
| | 1 | TINPLATED | PH.BRONZE | 5-160313-5 |
| | | GOLDPLATED | BRASS | 5-160313-4 3 |
| | | SILVERPLATED | BRASS | 5-160313-3 3 |
| | | TINPLATED | BRASS | 5-160313-2 |
| LOOSE PIECE | 1 | TIN-LEAD | PH.BRONZE | 9-160313-8 3 |
| | 1 | GOLDPLATED | PH.BRONZE | 9-160313-7 3 |
| | 1 | SILVERPLATED | PH.BRONZE | 9-160313-6 |
| | 1 | TINPLATED | PH.BRONZE | 9-160313-5 |
| | | GOLDPLATED | BRASS | 9-160313-4 3 |
| | | SILVERPLATED | BRASS | 9-160313-3 3 |
| | | TINPLATED | BRASS | 9-160313-2 |

| | | | | | | | |
|--|--|---------------------------------|--|------------|--------------------|------------------------|--------------------|
| THIS DRAWING IS A CONTROLLED DOCUMENT. | | DWN JR RUTH 08OCT04 | TE Connectivity | | | | |
| DIMENSIONS: mm | | CHK T MICHELUTTI 08OCT04 | | | | | |
| TOLERANCES UNLESS OTHERWISE SPECIFIED: | | APVD T MICHELUTTI 08OCT04 | NAME .250 SRS P.I.D.G. FASTON REC. | | | | |
| 0 PLC ± - 1 PLC ± - 2 PLC ± 0.38 3 PLC ± - 4 PLC ± - ANGLES ± - | | PRODUCT SPEC - | - | | | | |
| MATERIAL - | | FINISH - | APPLICATION SPEC - | SIZE A3 | CAGE CODE 00779 | DRAWING NO C-160313 | RESTRICTED TO - |
| CUSTOMER DRAWING | | | WEIGHT - | SCALE - | SHEET 1 OF 1 | REV H3 | |