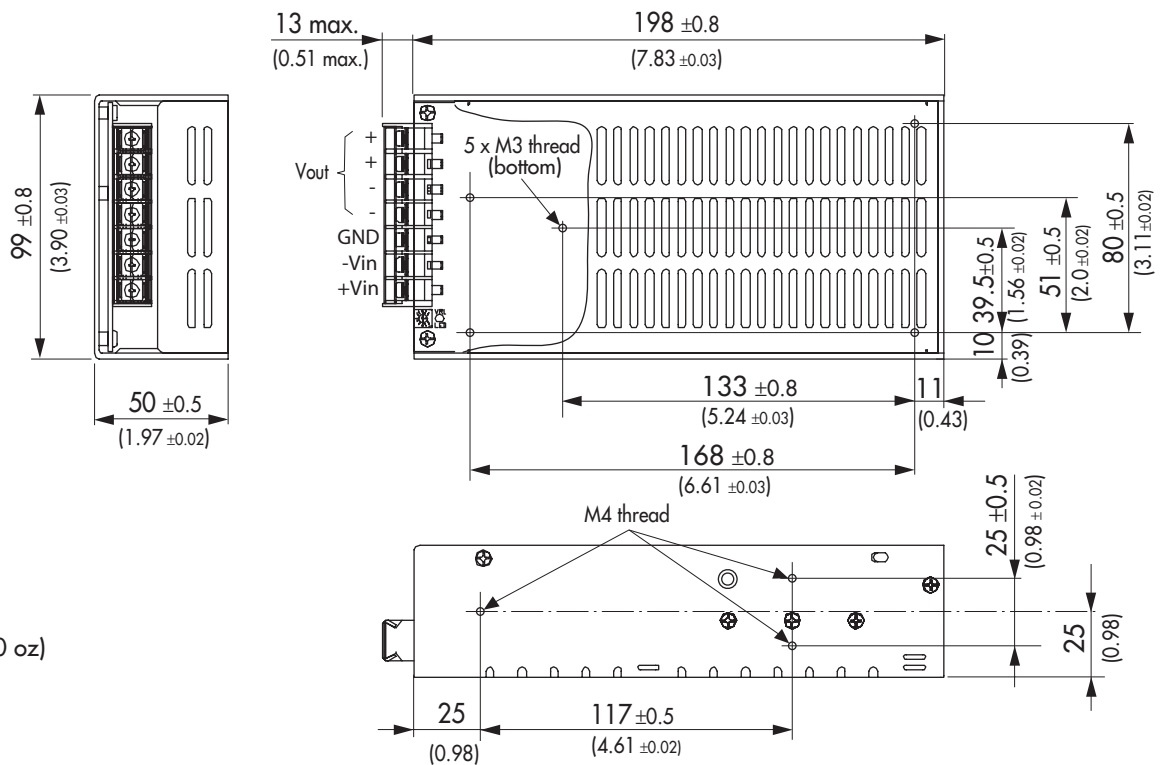
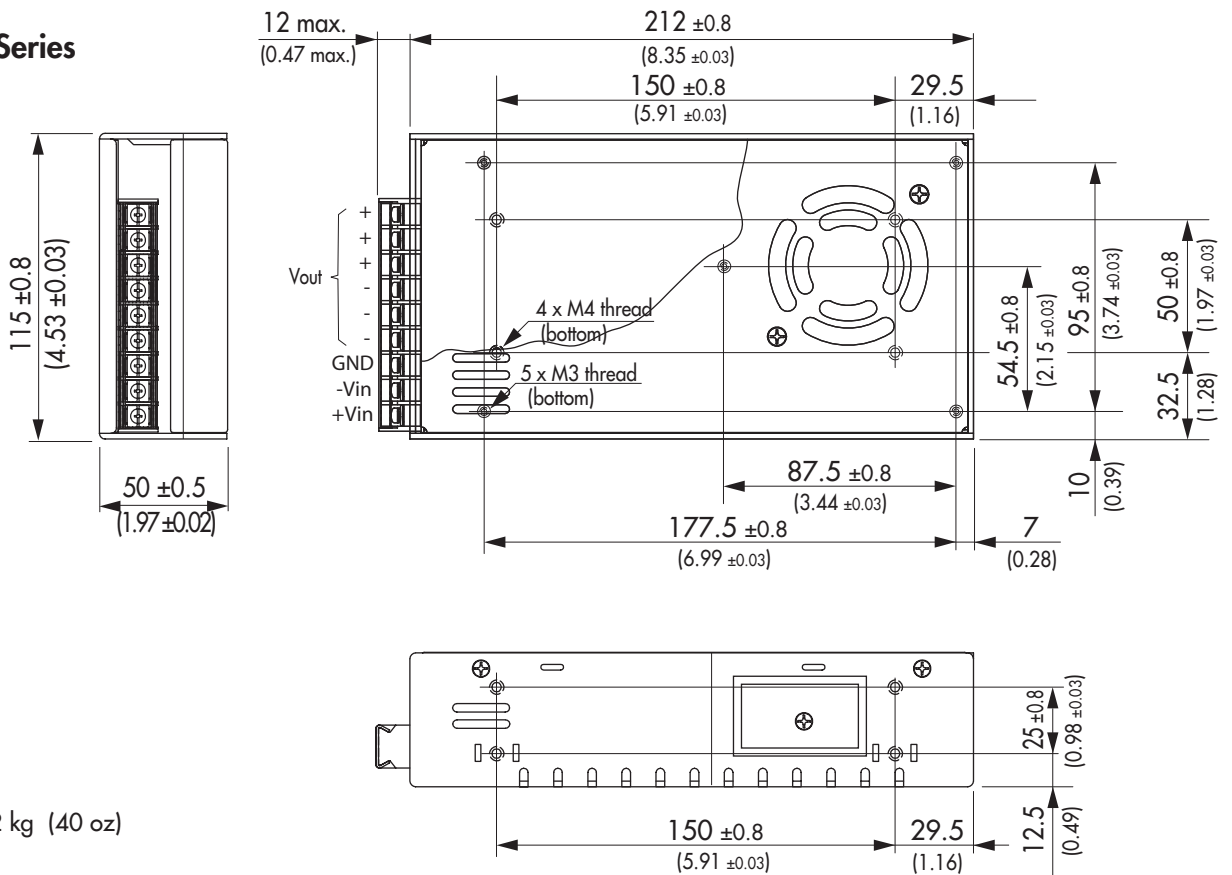


TZL 150 - Series



Weight: 0.9 kg (30 oz)

TZL 300 - Series



Weight: 1.2 kg (40 oz)

Specifications can be changed without notice